


SIGN	DATE	DESCRIPTION	APPROVER
△	01/18'07	Soldering temperature changed from 245° to 250°	Tason
△	01/18'07	Part NO is Changed	Tason
△	03/25'09	Add the tolerance table	Jacke

THIS IS CAD DRAWING, DO NOT REVISE MANUALLY!!!

Material:

- Item a Terminal housing : Thermoplastic (UL 94V-0)
- Item b Clamp : Brass ,Ni plated
- Item c Wire guard solder pin :Brass ,Tin plated
- Item d Terminal screw: Steel Zinc plating"-slot type

Electrical CULUS

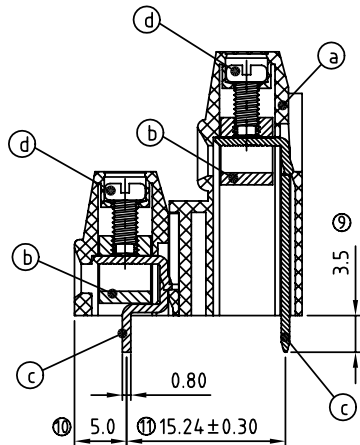
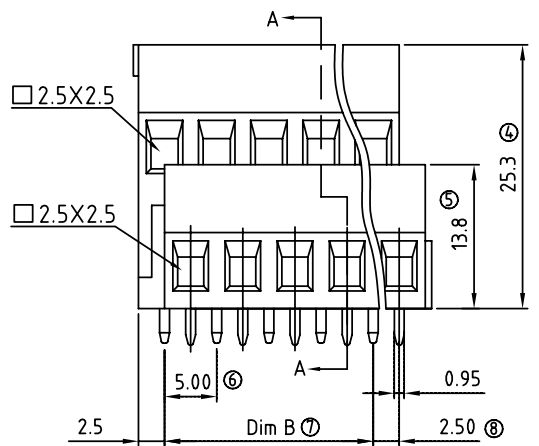
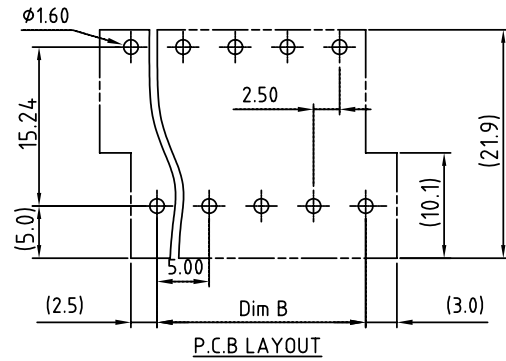
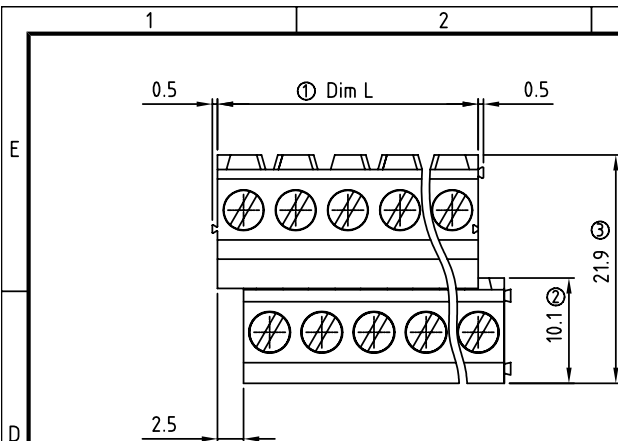
- Voltage rating: 300VAC
- Current rating: 20A
- Wire range:
- Solid wire(AWG): 12-22
- Stranded wire(AWG): 12-22
- Torque(Lb-In): 3.5
- Screw: M2.5
- Wire strip length: 6-7mm
- Withstanding Voltage: 1.6KV
- Operating temperature: -40°C to +115°C
- Soldering temperature: 250°C±10°C/5 Sec
- Safety Approval:  US

△

△ YL xx 21 x 0 xxxx G

04 2x2 CONTACTS	0 Black	0000:"@Logo (Standard)	Pb < 40,000ppm (RoHS)
06 2x3 CONTACTS	5 Green	000A:"ANYTEK"Logo	
... ..	6 Blue	Any special item by customer request,	
48 2x24 CONTACTS	8 Light Grey	please contact sales department.	

△



Poles	2x2	2x3	2x4	2x5	2x6	2x7	2x8	2x9	2x10	2x11	2x12	2x13
Dim L	10.00	15.00	20.00	25.00	30.00	35.00	40.00	45.00	50.00	55.00	60.00	65.00
Dim B	5.00	10.00	15.00	20.00	25.00	30.00	35.00	40.00	45.00	50.00	55.00	60.00
TOL	±0.20					±0.30					±0.35	
Poles	2x14	2x15	2x16	2x17	2x18	2x19	2x20	2x21	2x22	2x23	2x24	
Dim L	70.00	75.00	80.00	85.00	90.00	95.00	100.0	105.0	110.0	115.0	120.0	
Dim B	65.00	70.00	75.00	80.00	85.00	90.00	95.00	100.0	105.0	110.0	115.0	
TOL	±0.35					±0.40						

ANYTEK				CUSTOMER COPY			
ALL RIGHTS RESERVED. REPRODUCTION OR ISSUE TO THIRD PARTIES IN ANY FORM WHATSOEVER IS NOT PERMITTED WITHOUT WRITTEN AUTHORITY FROM THE PROPRIETOR. PROPERTY OF ANYTEK TECHNOLOGY CO., LTD							
TITLE	YL-5.0mm Series "- Right						
PART NO.	YLxx21x0xxxxG			DWG NO.	8YL0002		
APPROVED	CHECKED	DESIGNED	DRAWN	CUST NO.	Tolerance		
		Jacke	Jacke		UNIT: mm X. ±0.50		
		2009.03.25	2009.03.25		SCALE: NONE X.X ±0.30		
					X.XX ±0.10		
					X° ±1°		
				SHEET: 01/01	REV: E		