


SIGN	DATE	DESCRIPTION	APPROVER
△	01/18'07	Soldering temperature changed from 245° to 250°	Tason
△	01/18'07	Part NO is Changed	Tason
△	03/25'09	Add the tolerance table	Jacke

THIS IS CAD DRAWING, DO NOT REVISE MANUALLY!!!

Material:

- Item a Terminal housing : Thermoplastic (UL 94V-0)
- Item b Clamp : Brass ,Ni plated
- Item c Wire guard solder pin :Brass ,Tin plated
- Item d Terminal screw: Steel Zinc plating"-slot type

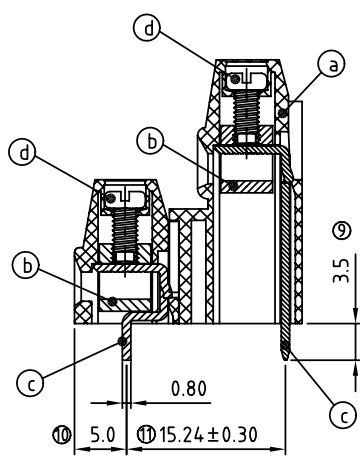
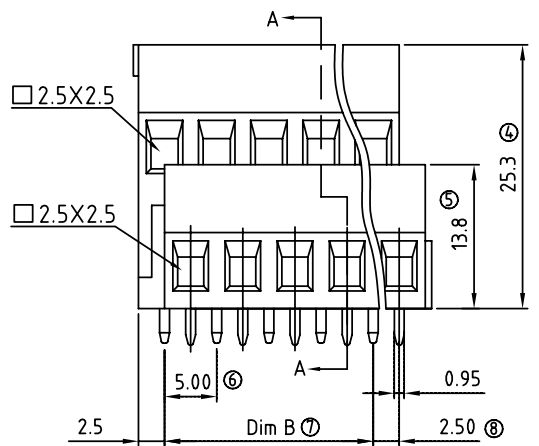
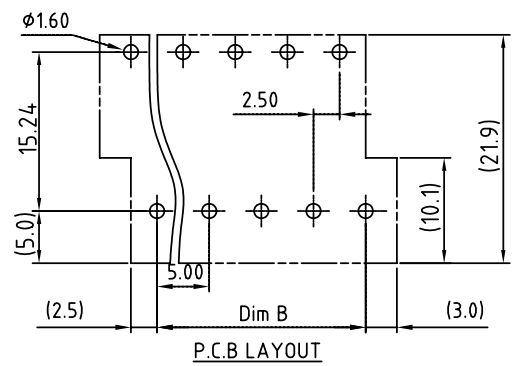
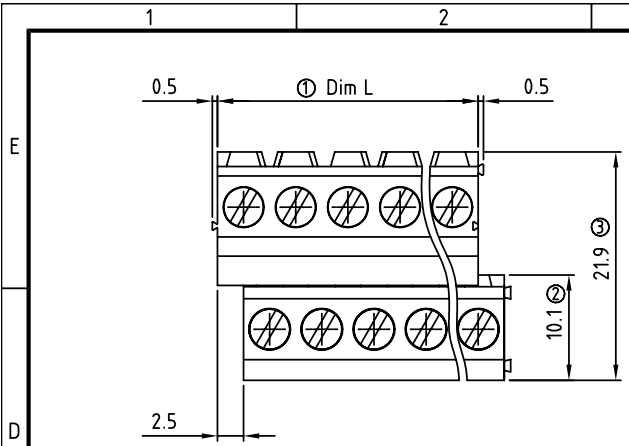
Electrical CULUS

- Voltage rating: 300VAC
- Current rating: 20A
- Wire range:
- Solid wire(AWG): 12-22
- Stranded wire(AWG): 12-22
- Torque(Lb-In): 3.5
- Screw: M2.5
- Wire strip length: 6-7mm
- Withstanding Voltage: 1.6KV
- Operating temperature: -40°C to +115°C
- Soldering temperature: 250°C±10°C/5 Sec
- Safety Approval:  US

△

△ YL xx 21 x 0 xxxx G

04 2x2 CONTACTS	0 Black	0000:"@Logo (Standard)	Pb < 40,000ppm (RoHS)
06 2x3 CONTACTS	5 Green	000A:"ANYTEK"Logo	
... ..	6 Blue	Any special item by customer request,	
48 2x24 CONTACTS	8 Light Grey	please contact sales department.	



Poles	2x2	2x3	2x4	2x5	2x6	2x7	2x8	2x9	2x10	2x11	2x12	2x13
Dim L	10.00	15.00	20.00	25.00	30.00	35.00	40.00	45.00	50.00	55.00	60.00	65.00
Dim B	5.00	10.00	15.00	20.00	25.00	30.00	35.00	40.00	45.00	50.00	55.00	60.00
TOL	±0.20					±0.30					±0.35	
Poles	2x14	2x15	2x16	2x17	2x18	2x19	2x20	2x21	2x22	2x23	2x24	
Dim L	70.00	75.00	80.00	85.00	90.00	95.00	100.0	105.0	110.0	115.0	120.0	
Dim B	65.00	70.00	75.00	80.00	85.00	90.00	95.00	100.0	105.0	110.0	115.0	
TOL	±0.35					±0.40						

<b>ANYTEK</b>				<b>CUSTOMER COPY</b>			
ALL RIGHTS RESERVED. REPRODUCTION OR ISSUE TO THIRD PARTIES IN ANY FORM WHATSOEVER IS NOT PERMITTED WITHOUT WRITTEN AUTHORITY FROM THE PROPRIETOR. PROPERTY OF ANYTEK TECHNOLOGY CO., LTD							
TITLE	YL-5.0mm Series "- Right						
PART NO.	YLxx21x0xxxxG			DWG NO.	8YL0002		
APPROVED	CHECKED	DESIGNED	DRAWN	CUST NO.	Tolerance		
		Jacke	Jacke		UNIT: mm X. ±0.50		
		2009.03.25	2009.03.25		SCALE: NONE X.X ±0.30		
					X.XX ±0.10		
					X° ±1°		
				SHEET: 01/01	REV: E		