

High Performance LED Cooling Solutions*

DIGI-KEY PART # **ATS1361-ND**

ATS PART # ATS-58000-C1-R0

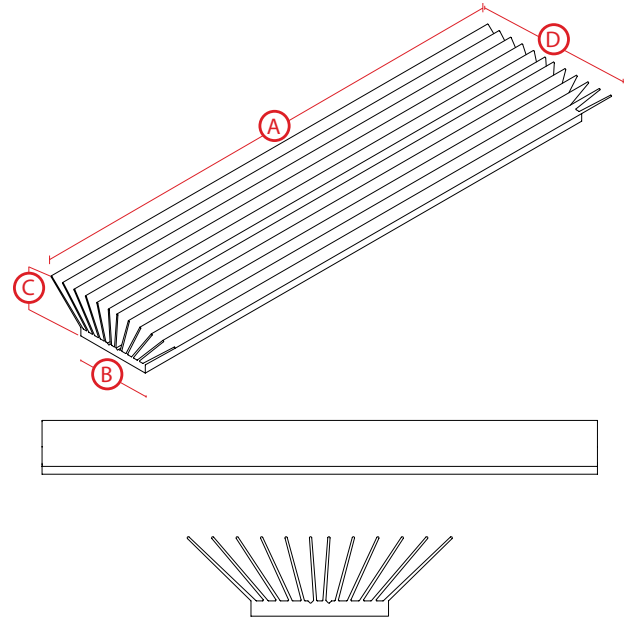
Features & Benefits

Designed for cooling linear LED lighting products

maxiFLOW™ design features a low profile, spread fin array that maximizes surface area for more effective convection (air) cooling

Reduces LED temperatures by more than 50%

Fabricated from extruded aluminum, which minimizes thermal resistance from the base to the fins, reduces weight and keeps costs low



Thermal Performance Table

| AIR VELOCITY | | THERMAL RESISTANCE | |
|--------------|-----|--------------------|---------------|
| FT/MIN | M/S | °C/W (UNDUCTED) | °C/W (DUCTED) |
| 200 | 1.0 | 1.2 | 0.5 |
| 300 | 1.5 | 0.7 | |
| 400 | 2.0 | 0.6 | |
| 500 | 2.5 | 0.5 | |
| 600 | 3.0 | 0.4 | |
| 700 | 3.5 | 0.4 | |
| 800 | 4.0 | 0.4 | |

Product Details†

| DIMENSION A | DIMENSION B | DIMENSION C [§] | DIMENSION D | TIM [‡] | FINISH |
|-------------|-------------|--------------------------|-------------|------------------|----------------|
| 330 | 45 | 26 | 87 | NO TIM | BLACK-ANODIZED |

For further technical information, please contact Advanced Thermal Solutions, Inc. at **1-781-769-2800** or **www.qats.com**

* RoHS Compliant

‡ TIM = Thermal Interface Material

† Dimensions are measured in millimeters

§ Dimension C = the height of the heat sink shown above and does not include the height of the attachment method



ATS ADVANCED THERMAL SOLUTIONS, INC.

Innovations in Thermal Management®



To place an order, please visit **www.digikey.com**