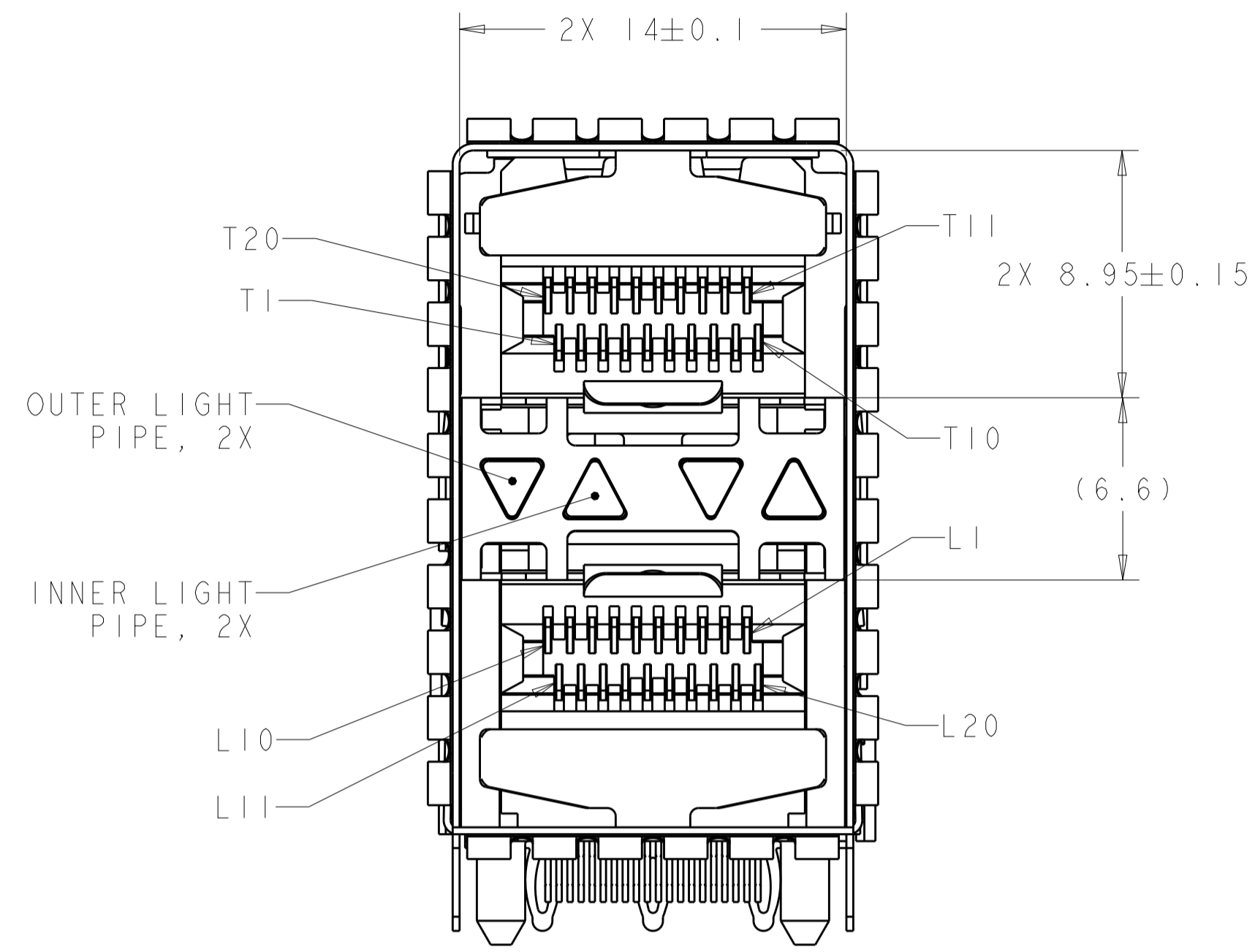
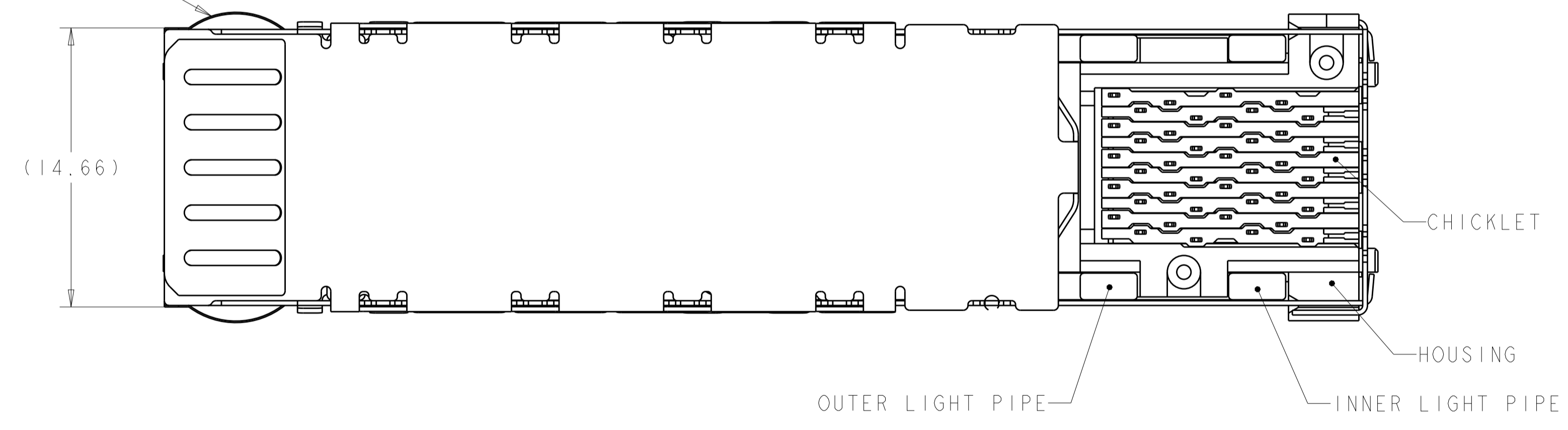
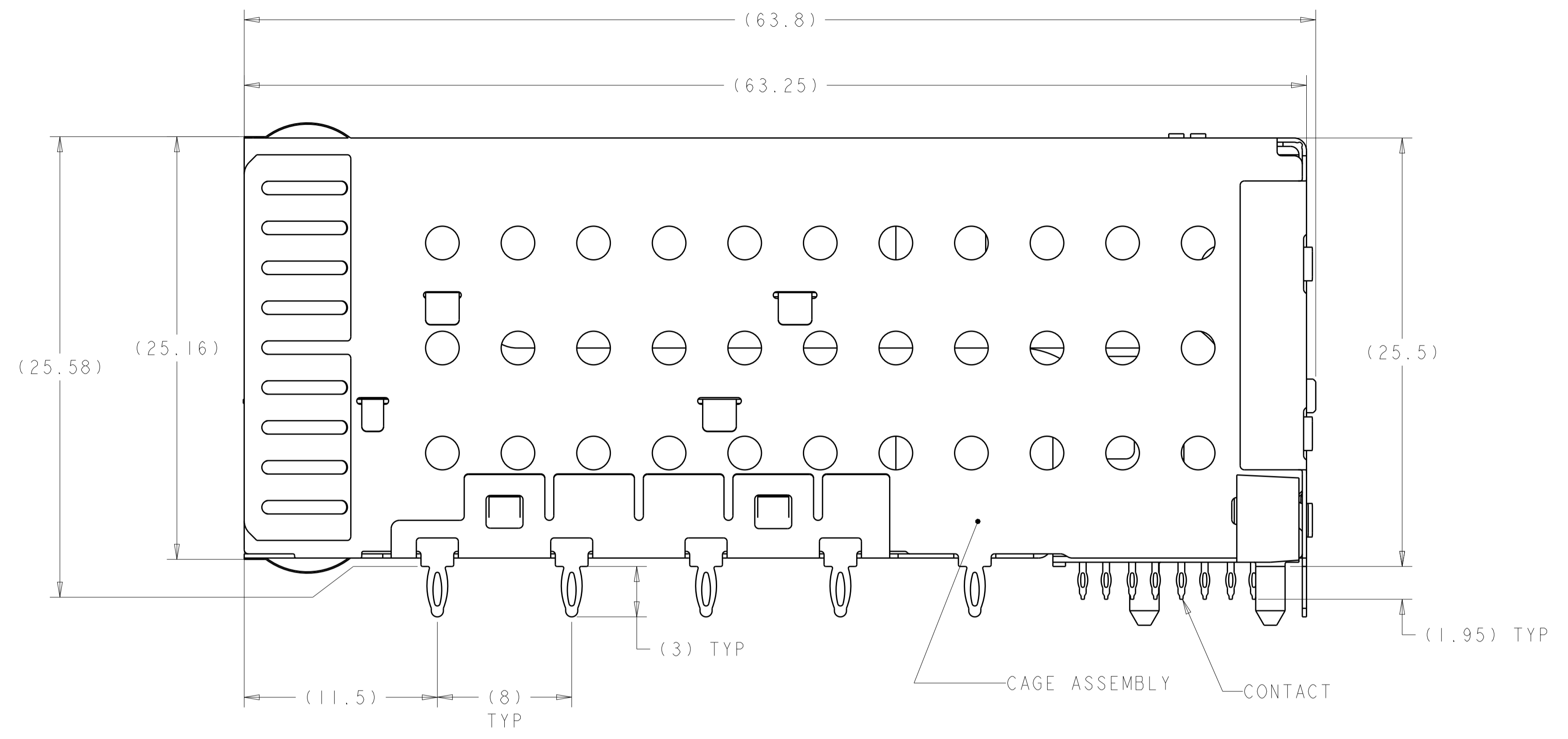


LOC		DIST		REVISIONS			
GP	00	P	LTN	DESCRIPTION	DATE	DWN	APVD
		B1		REVISED PER ECO-11-004835	11MAR2011	RK	HMR
		C		REVISED PER ECO-11-020849	11JAN2011	CJV	PAR
		C1		REVISED PER ECO-13-003678	09APR2013	CJV	PAR
		D		REVISED PER ECO-15-017919	04APL2016	AP	PR



2007492-5 AS SHOWN



- 1 MATERIALS:  
 CAGE ASSEMBLY- NICKEL SILVER ALLOY PER ASTM B 122.  
 EMI SPRING- COPPER ALLOY.  
 HOUSING- BLACK LCP, UL 94V-0 RATED.  
 CHICKLET- BLACK LCP, UL 94V-0 RATED.  
 LIGHT PIPE- POLYCARBONATE, CLEAR.  
 INSERT- LCP, BLACK, UL 94V-0.  
 CONTACT- COPPER ALLOY.
- 2 DATUM AND BASIC DIMENSIONS ESTABLISHED BY CUSTOMER.
- 3. MINIMUM PCB THICKNESS OF 1.5.
- 4 CONTACT FINISH- CONFORMS TO THE REQUIREMENTS OF TE CONNECTIVITY PRODUCT SPECIFICATION 108-2331, BASED ON EIA/ECA-364-1000.01A, (CONTROLLED ENVIRONMENT APPLICATIONS) ON MATING INTERFACE, TIN-LEAD ON NEEDLE EYE.
- 5 CONTACT FINISH- CONFORMS TO THE REQUIREMENTS OF TE CONNECTIVITY PRODUCT SPECIFICATION 108-2331, BASED ON EIA/ECA-364-1000.01A, (CONTROLLED ENVIRONMENT APPLICATIONS) ON MATING INTERFACE, TIN ON NEEDLE EYE.
- 6 FOR HOLE SIZE AND PLATINGS, SEE APPLICATION SPEC 114-13219.
- 7 THE ENTIRE AREA OF THE CONNECTOR FOOTPRINT, INDICATED BY THE DASHED LINE, TO BE CONSIDERED THE KEEPOUT AREA FOR COMPONENTS AND SIGNAL TRACES, TOP SIDE ONLY. TOP SIDE TRACES ALLOWED WITHIN CONNECTOR HOLE PATTERN.
- 8 LIGHT PIPE PAD LAYOUT IS FOR 0805 LOW PROFILE LED PACKAGE WITH A HEIGHT OF 0.8mm.
- 9 EMI SPRING FINISH: 0.8µm MINIMUM MATTE TIN OVER 0.8µm MINIMUM NICKEL, NONPLATED EDGES PERMISSIBLE.
- 10 ADDITIONAL COMPONENT LOCATED WITHIN LATCH PLATE FOR EMI SUPPRESSION.

YES	NO	ENHANCED EMI	FINISH	DESCRIPTION	PART NUMBER
YES	NO	NO	NO	NO LIGHT PIPES	1-2007492-8
				OUTER 2 LIGHT PIPES	1-2007492-7
				INNER 2 LIGHT PIPES	1-2007492-6
NO	NO	NO	NO	4 LIGHT PIPES	1-2007492-5
				NO LIGHT PIPES	2007492-8
				OUTER 2 LIGHT PIPES	2007492-7
NO	NO	NO	NO	INNER 2 LIGHT PIPES	2007492-6
				4 LIGHT PIPES	2007492-5
				NO LIGHT PIPES	2007492-4
NO	NO	NO	NO	OUTER 2 LIGHT PIPES	2007492-3
				INNER 2 LIGHT PIPES	2007492-2
				4 LIGHT PIPES	2007492-1

THIS DRAWING IS A CONTROLLED DOCUMENT. DIMENSIONING AND TOLERANCING PER ASME Y14.5M-2009. TOLERANCES UNLESS OTHERWISE SPECIFIED:

DIMENSIONS:	0 PLC ±0.10	1 PLC ±0.10	2 PLC ±0.10	3 PLC ±0.10	4 PLC ±0.10	ANGLES ±°	FINISH
-------------	-------------	-------------	-------------	-------------	-------------	-----------	--------

MATERIAL: 1

APVD: D. SZCZESNY

DATE: 30NOV2007

PRODUCT SPEC: 108-2331

APPLICATION SPEC: 114-13219

WEIGHT: -

CUSTOMER DRAWING

SCALE: 5:1

SHEET 1 OF 4

REV D

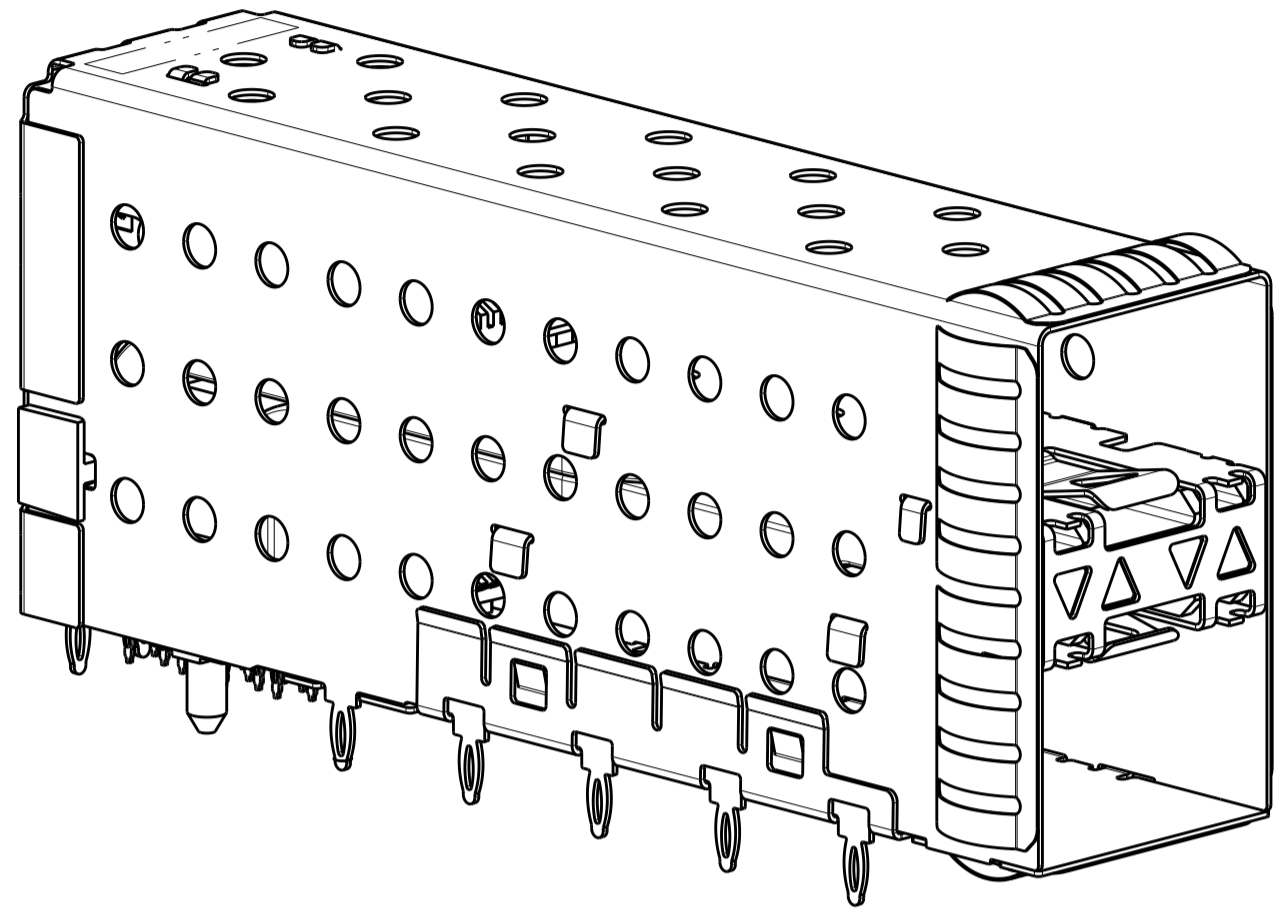
STE TE Connectivity

CAGE AND PT CONNECTOR ASSEMBLY, WITH EMI SPRINGS, PRESS FIT, 2X1, STACKED SFP+

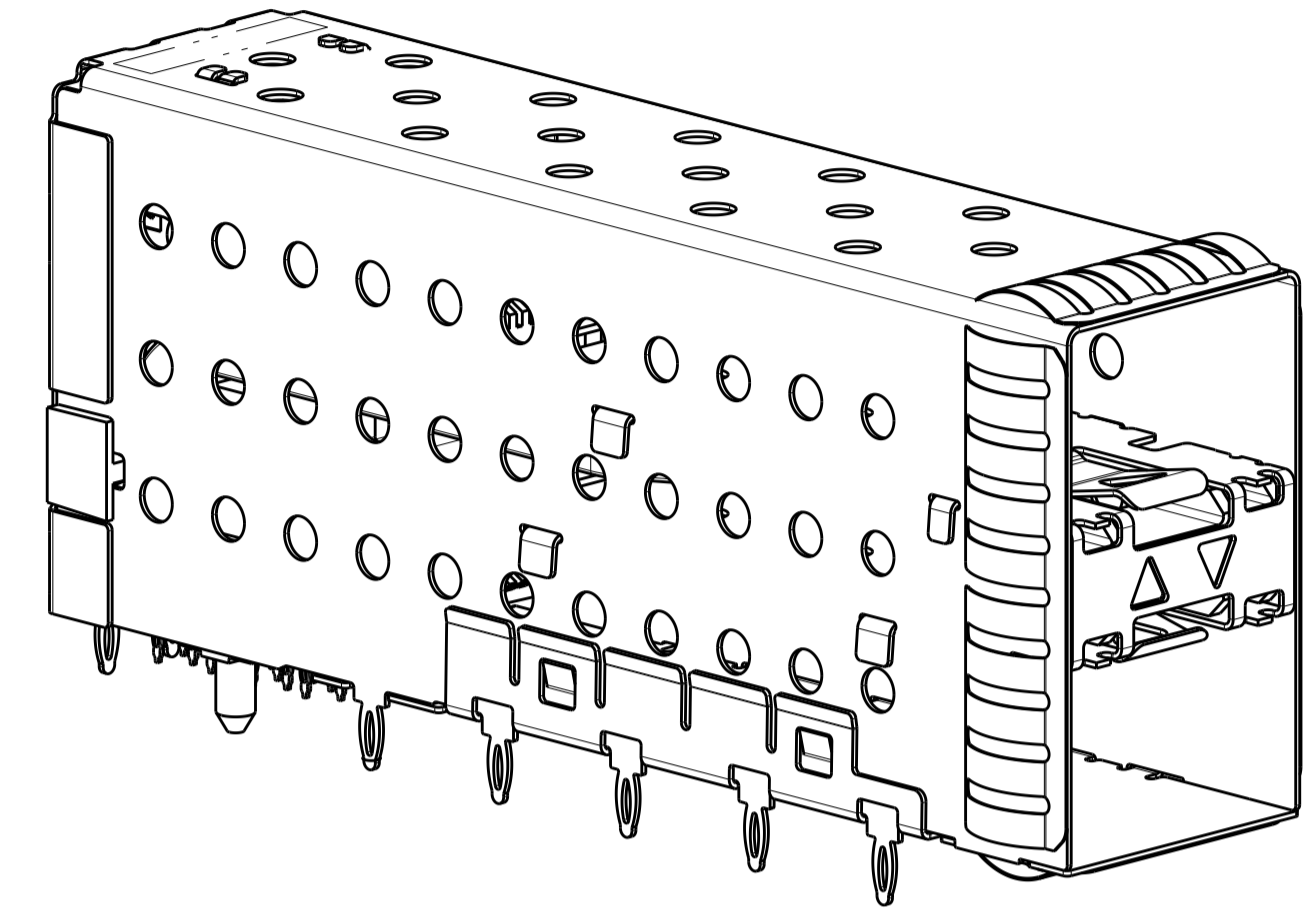
100779C=2007492

THIS DRAWING IS UNPUBLISHED. RELEASED FOR PUBLICATION 20  
 © COPYRIGHT 20 BY - ALL RIGHTS RESERVED.

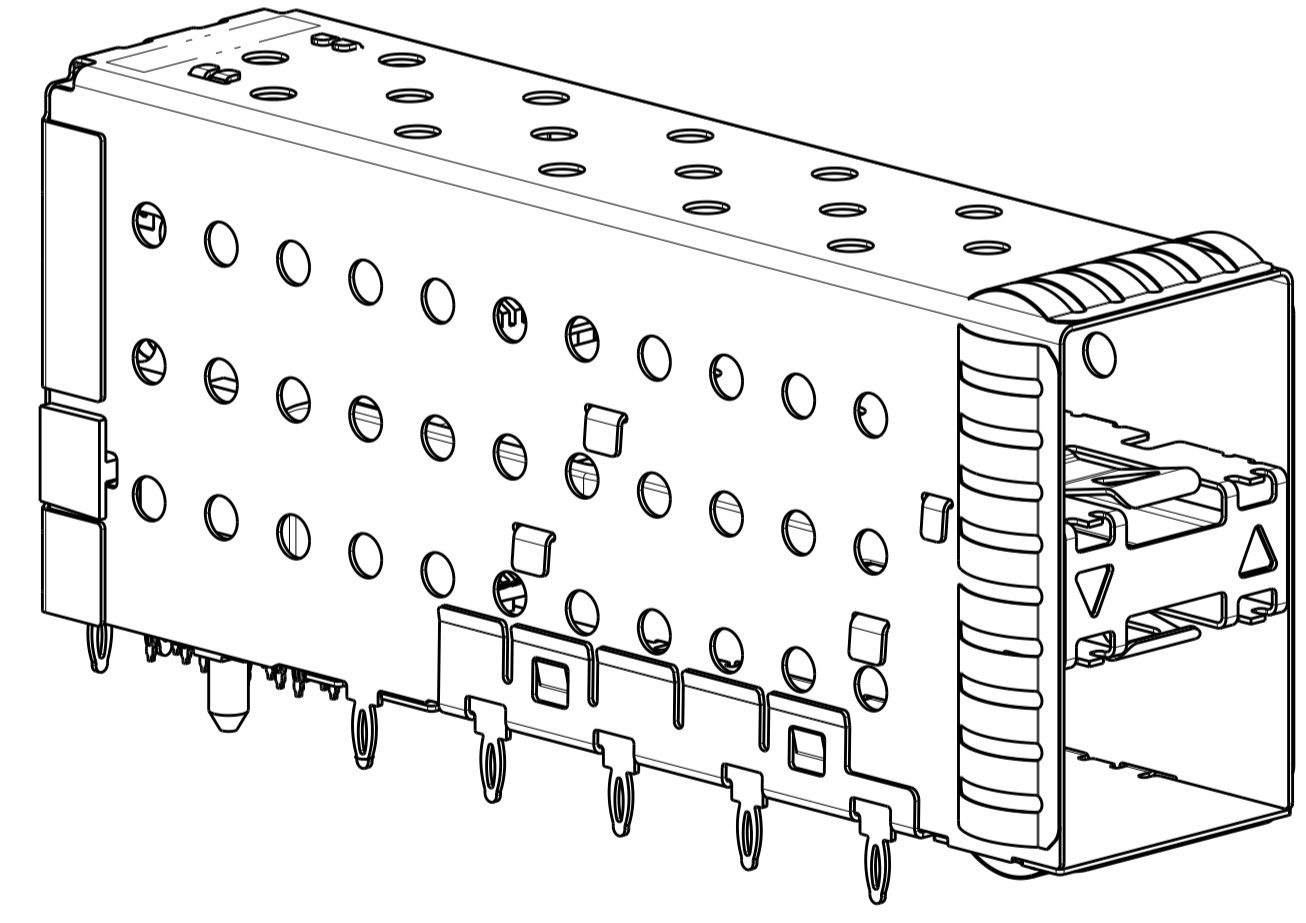
LOC		DIST		REVISIONS			
GP	00	P	LYR	DESCRIPTION	DATE	DWN	APVD
		-		SEE SHEET 1			



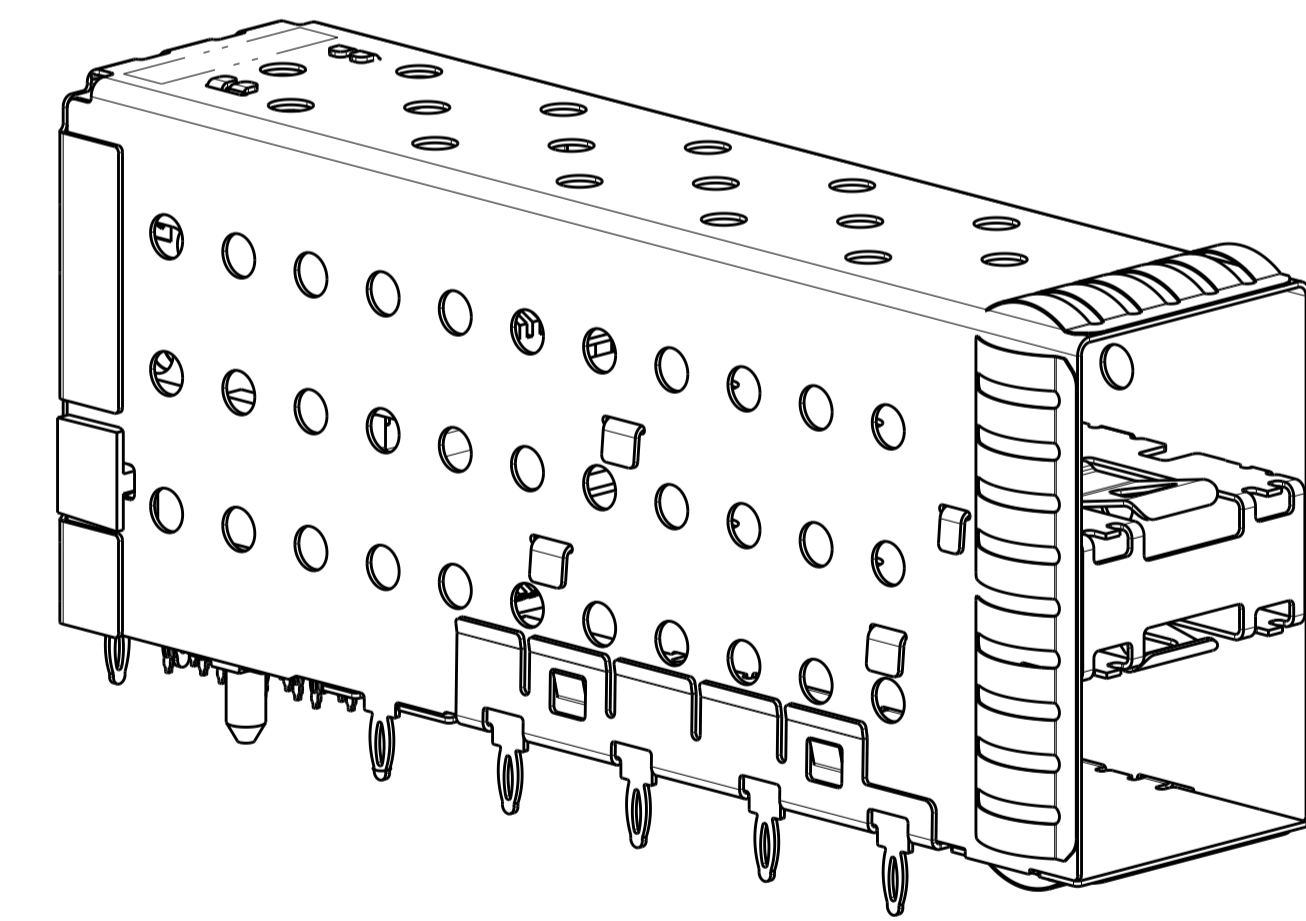
2007492-5 AND 1-2007492-5  
 SCALE 3:1




2007492-6 AND 1-2007492-6  
 SCALE 3:1



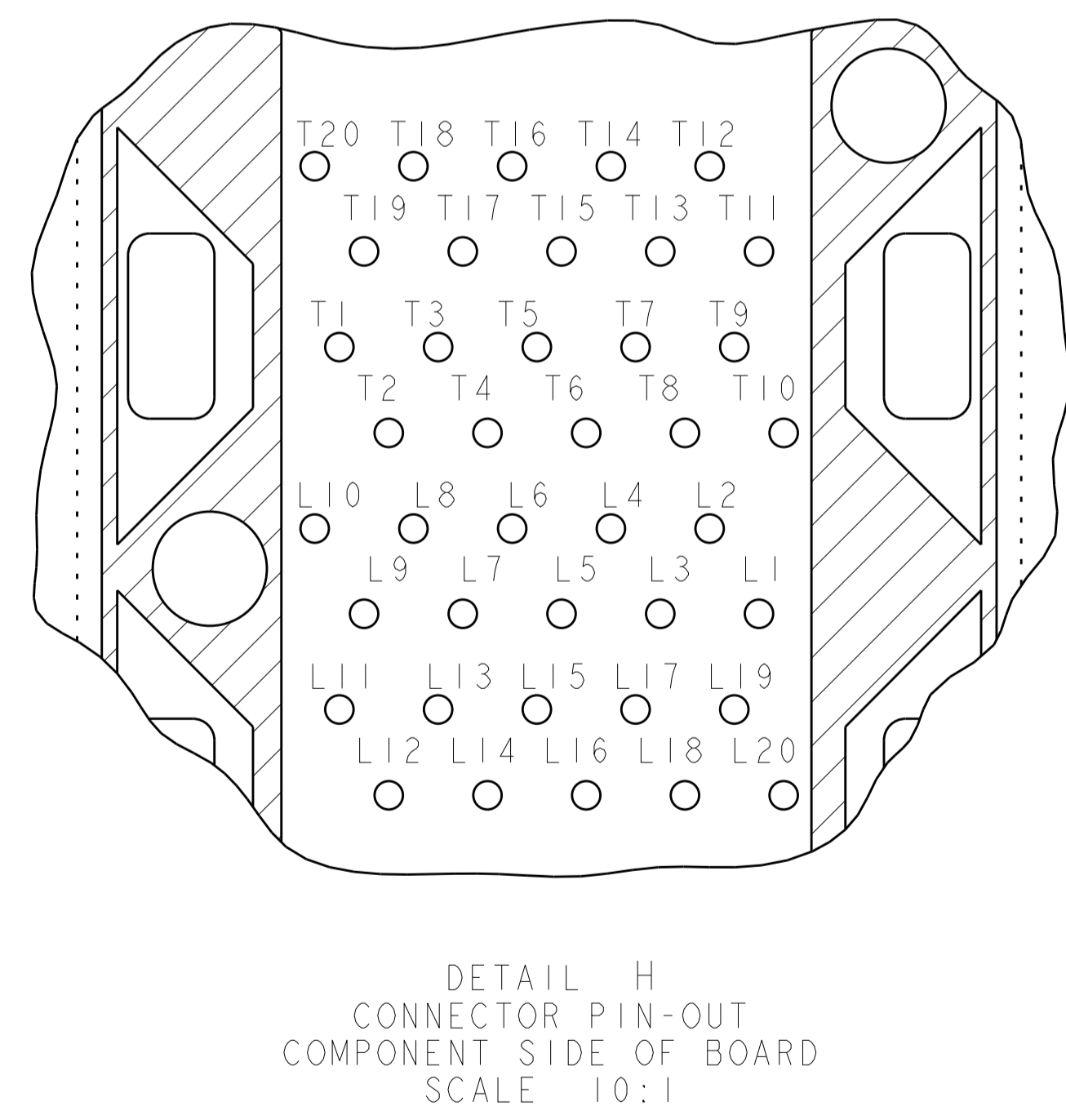
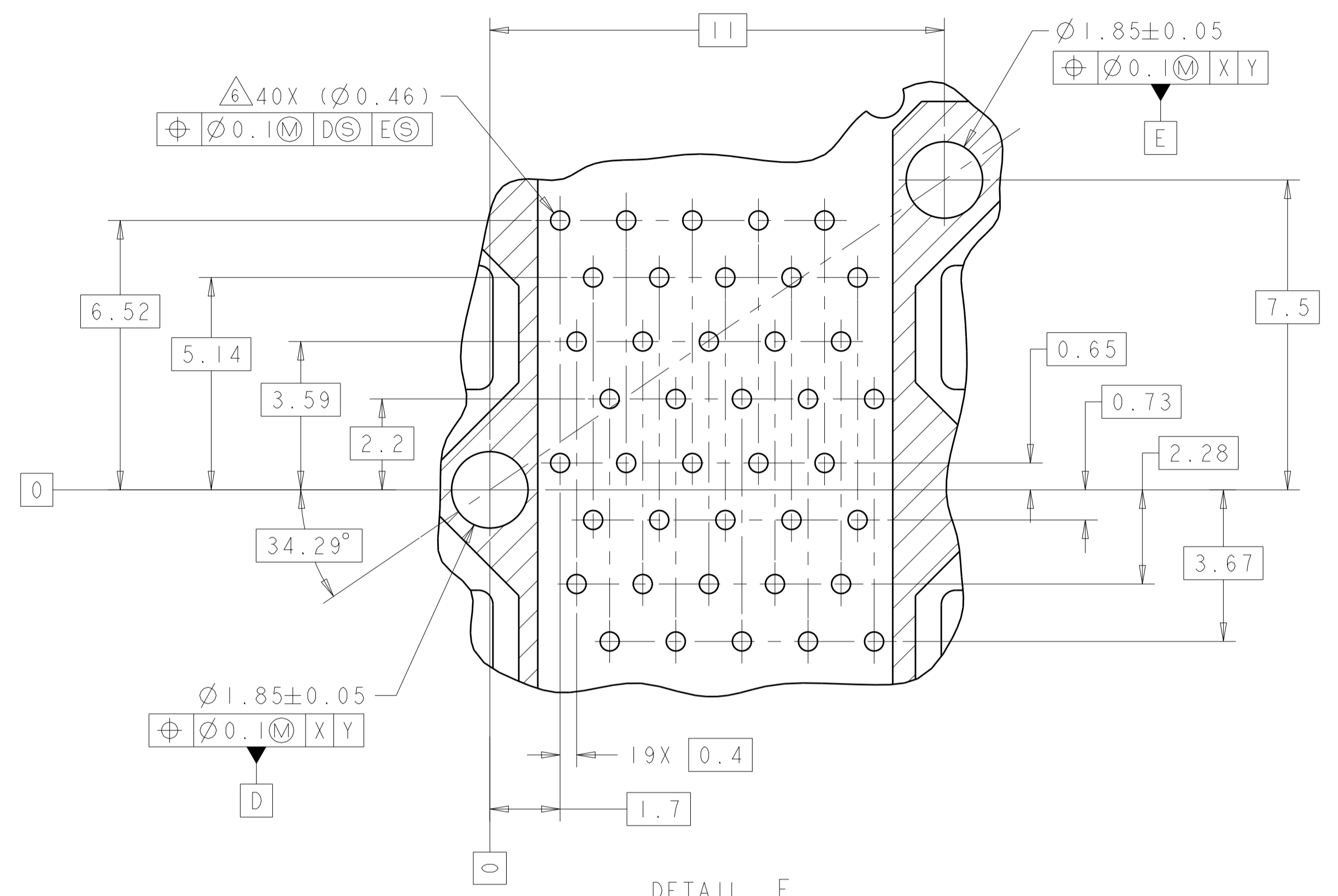
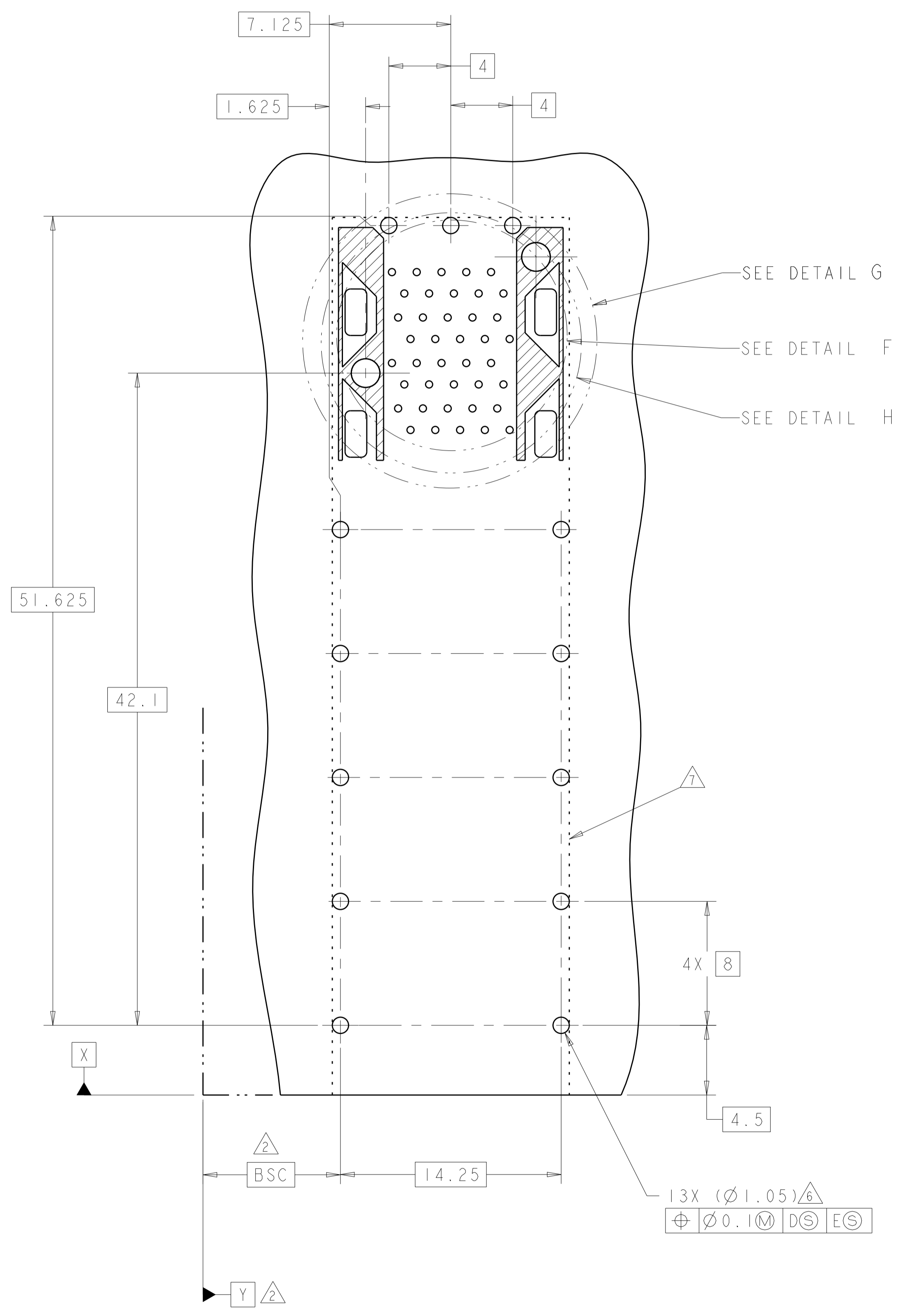
2007492-7 AND 1-2007492-7  
 SCALE 3:1



2007492-8 AND 1-2007492-8  
 SCALE 3:1

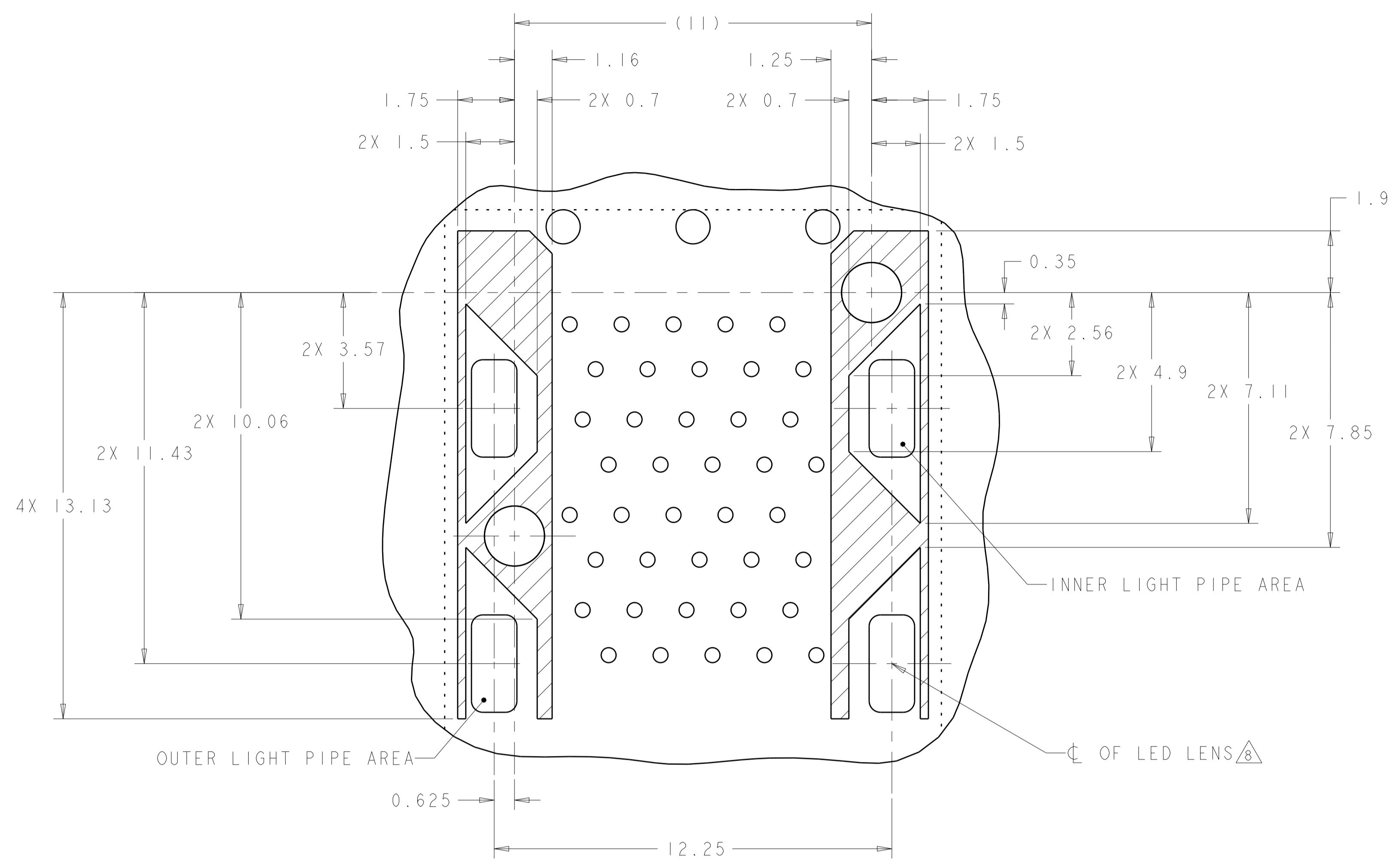
THIS DRAWING IS A CONTROLLED DOCUMENT. DIMENSIONING AND TOLERANCING PER ASME Y14.5M-2009.		DWN: M. SHIRK 30NOV2007	 TE Connectivity
DIMENSIONS: mm		CHK: D. SZCZESNY 30NOV2007	
TOLERANCES UNLESS OTHERWISE SPECIFIED:		APVD: D. SZCZESNY 30NOV2007	NAME: CAGE AND PT CONNECTOR ASSEMBLY, WITH EMI SPRINGS, PRESS FIT, 2X1, STACKED SFP+
0 PLC ±0.10		PRODUCT SPEC: 108-2331	
1 PLC ±0.10		APPLICATION SPEC: 114-13219	SIZE: A100779C=2007492
2 PLC ±0.10		WEIGHT: -	
3 PLC ±0.10		CUSTOMER DRAWING	RESTRICTED TO: -
4 PLC ±0.10		SCALE: 5:1	SHEET 2 OF 4
ANGLES ±°			REV D
FINISH			

LOC	DIST	REV	DATE	BY	APPV
GP	00				
REVISIONS					
		DESCRIPTION	DATE	BY	APPV
		SEE SHEET 1			

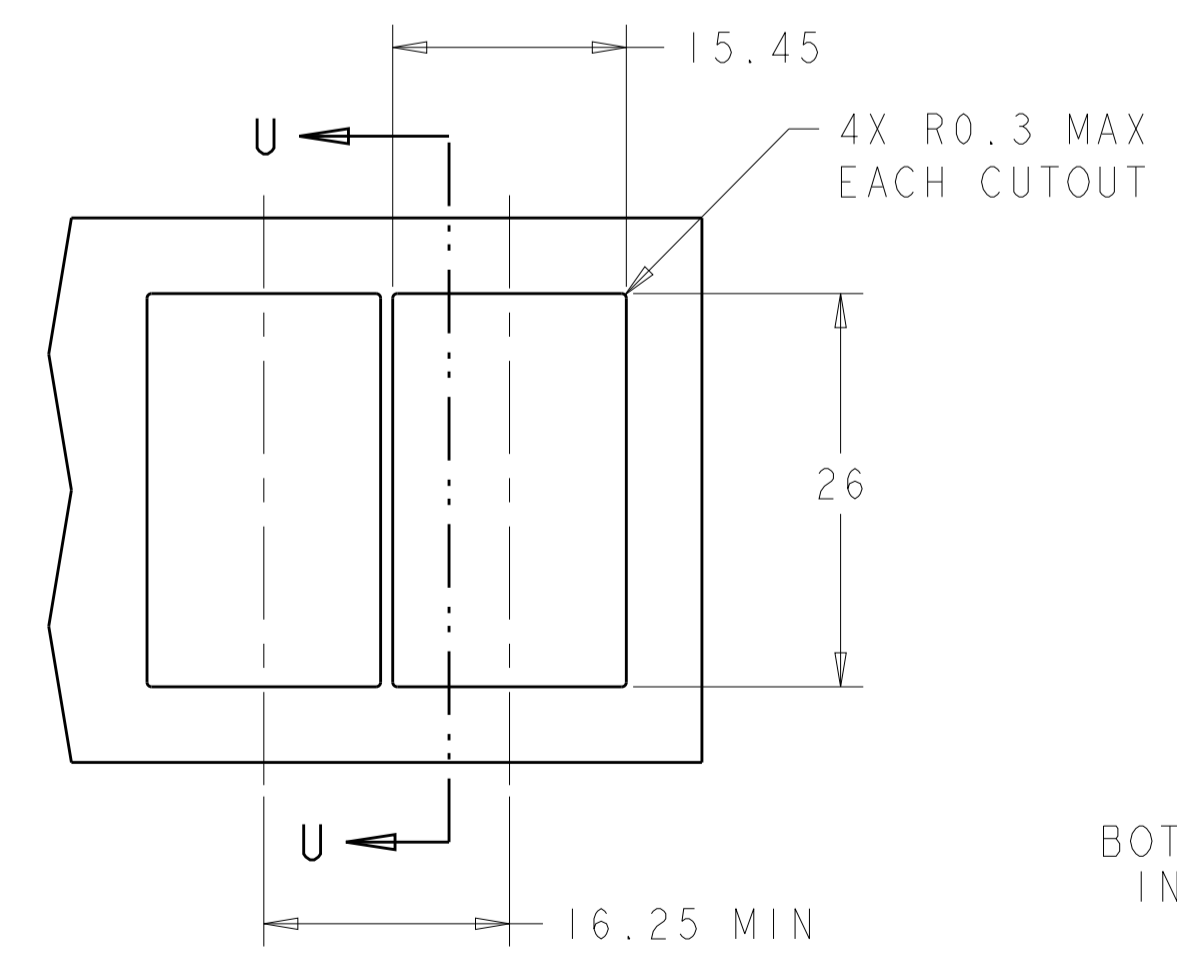


THIS DRAWING IS A CONTROLLED DOCUMENT. DIMENSIONING AND TOLERANCING PER ASME Y14.5M-2009		OWN: M. SHIRK 30NOV2007 CHK: D. SZCZESNY 30NOV2007 APPV: D. SZCZESNY 30NOV2007	TE Connectivity NAME: CAGE AND PT CONNECTOR ASSEMBLY, WITH EMI SPRINGS, PRESS FIT, 2X1, STACKED SFP+
DIMENSIONS: mm	TOLERANCES UNLESS OTHERWISE SPECIFIED:	PRODUCT SPEC: 108-2331 APPLICATION SPEC: 114-13219 WEIGHT: -	
MATERIAL:	FINISH:	SIZE: A100779 SCALE: 5:1	RESTRICTED TO: - SHEET 3 OF 4 REV D

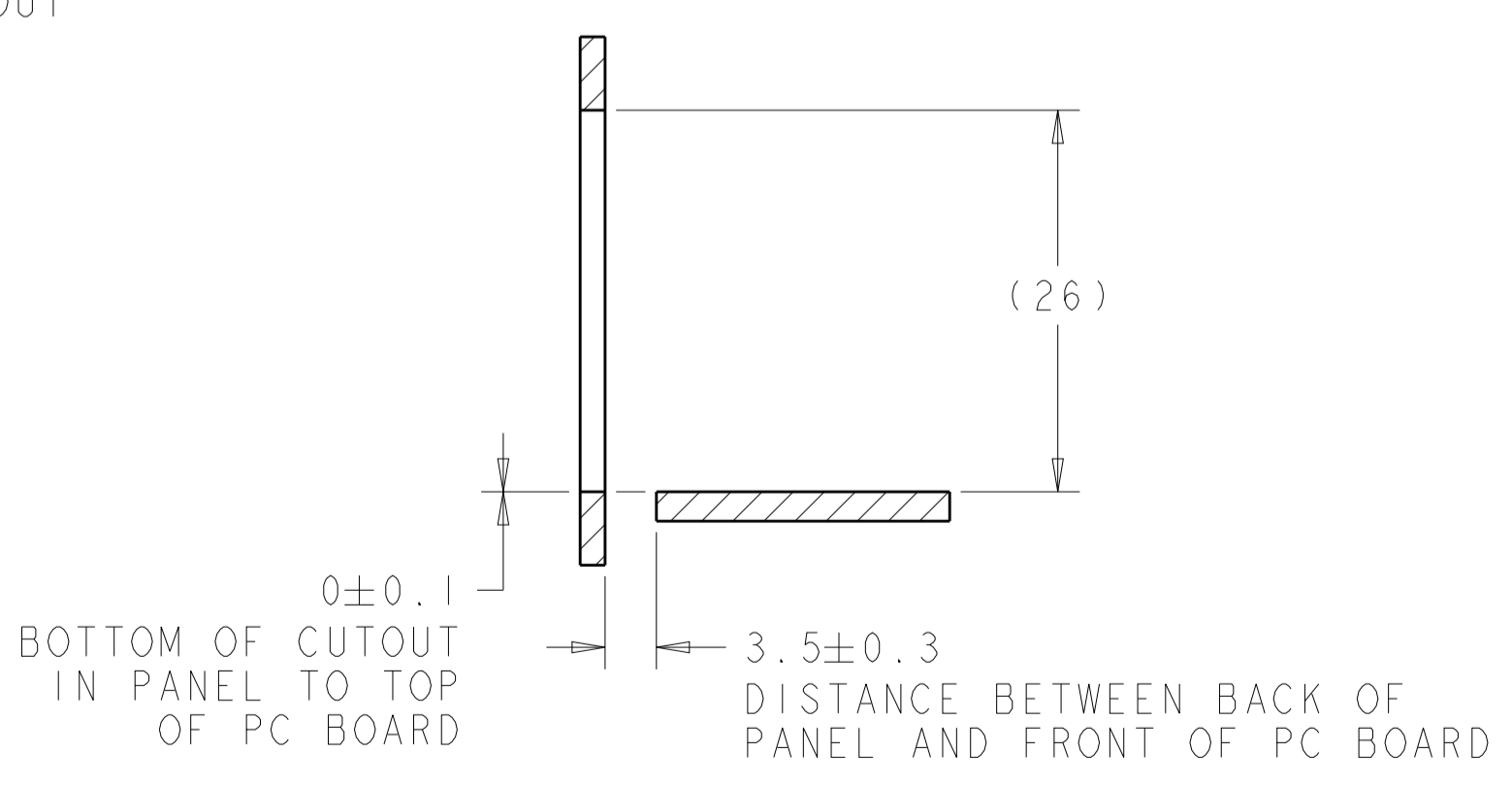
LOC	DIST	REVISIONS					
GP	00	P	LTN	DESCRIPTION	DATE	DWN	APVD
		-		SEE SHEET 1		-	-



DETAIL G  
CONNECTOR HOUSING  
KEEPOUT ZONE  
SCALE 10:1



RECOMMENDED PANEL CUTOUT  
AND PC BOARD, PANEL POSITION  
SCALE 2:1



SECTION U-U

THIS DRAWING IS A CONTROLLED DOCUMENT. DIMENSIONING AND TOLERANCING PER ASME Y14.5M-2009.		DWN: M. SHIRK 30NOV2007 CHK: D. SZCZESNY 30NOV2007 APVD: D. SZCZESNY 30NOV2007	TE Connectivity <b>NAME:</b> CAGE AND PT CONNECTOR ASSEMBLY, WITH EMI SPRINGS, PRESS FIT, 2X1, STACKED SFP+
DIMENSIONS: mm	TOLERANCES UNLESS OTHERWISE SPECIFIED:	<b>PRODUCT SPEC:</b> 108-2331 <b>APPLICATION SPEC:</b> 114-13219 <b>WEIGHT:</b> - <b>CUSTOMER DRAWING</b>	
0 PLC ±0.10 1 PLC ±0.10 2 PLC ±0.10 3 PLC ±0.10 4 PLC ±0.10 ANGLES ±°	FINISH: -	<b>SIZE:</b> A100779 <b>CAGE CODE:</b> C=2007492 <b>DRAWING NO:</b> - <b>RESTRICTED TO:</b> -	SCALE: 5:1 SHEET: 4 OF 4 REV: D