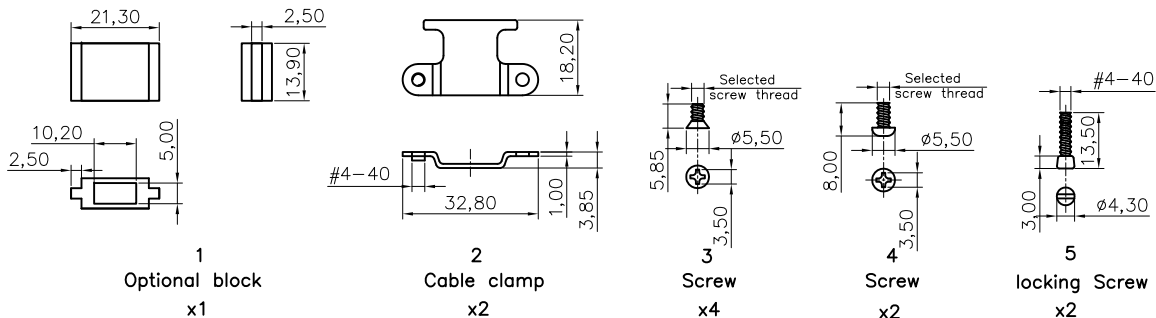
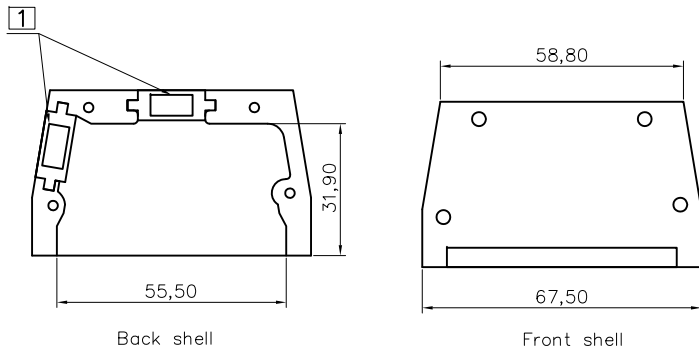
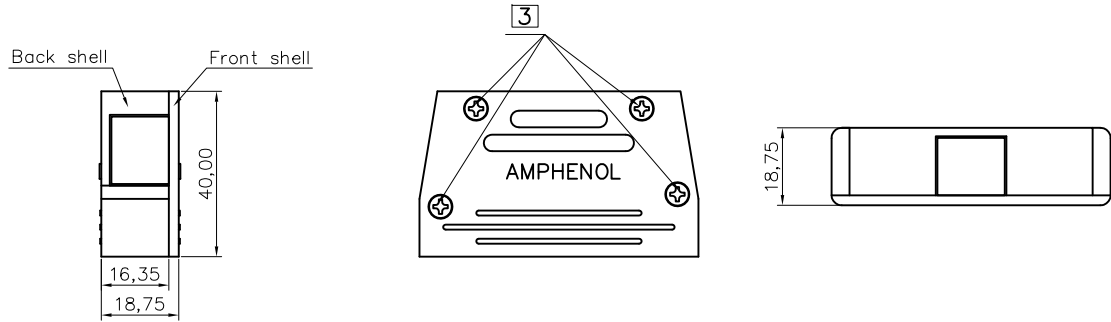


This document is the property of Amphenol Corporation and is delivered on the express condition that it is not to be disclosed, reproduced or used, in whole or in part, for manufacture or sale by anyone other than Amphenol Corporation without its prior consent, & that no right is granted to disclose or to use any information in this document.

# Customer drawing



REVISIONS				
SYM	ECN	DESCRIPTION	DATE	APPROVED
1			Mar/23/11	

## D-SUB TECHNICAL DATA

Material and finish:

Shell: Thermoplastic, UL94-V0, Color black

Screws: Steel, nickel plated, indication of thread should be matched with the shell

Cable clamp: Steel, nickel plated

Temperature range: -40°C to 120°C

Hood for 50 pins Dsub connector

UNLESS OTHERWISE SPECIFIED TOLERANCES	APPROVAL		DATE
	U.S.	METRIC	
.X +/-	0.50		DRAWN Marg.ma Mar/23/11
.XX +/-	0.30		CHECKED Wk.wang Mar/23/11
.XXX +/-	0.20		CHECKED
FRACTIONS +/-			
ANGLES +/-	2'		
FOR MATERIALS AND FINISHES SEE NOTES	DRAWING FILE :		
REMOVE SHARP EDGES	ANGLE OF PROJECTION		
DIMENSIONS			
U.S. INCHES			
METRIC MM			

Amphenol		REV. 1
Amphenol East Asia Limited		
TITLE		
Metalized and plastic HOOD		
SIZE	DRAWING NO.	
A4	C L171374	
SCALE	NONE	SHEET 1 OF 1