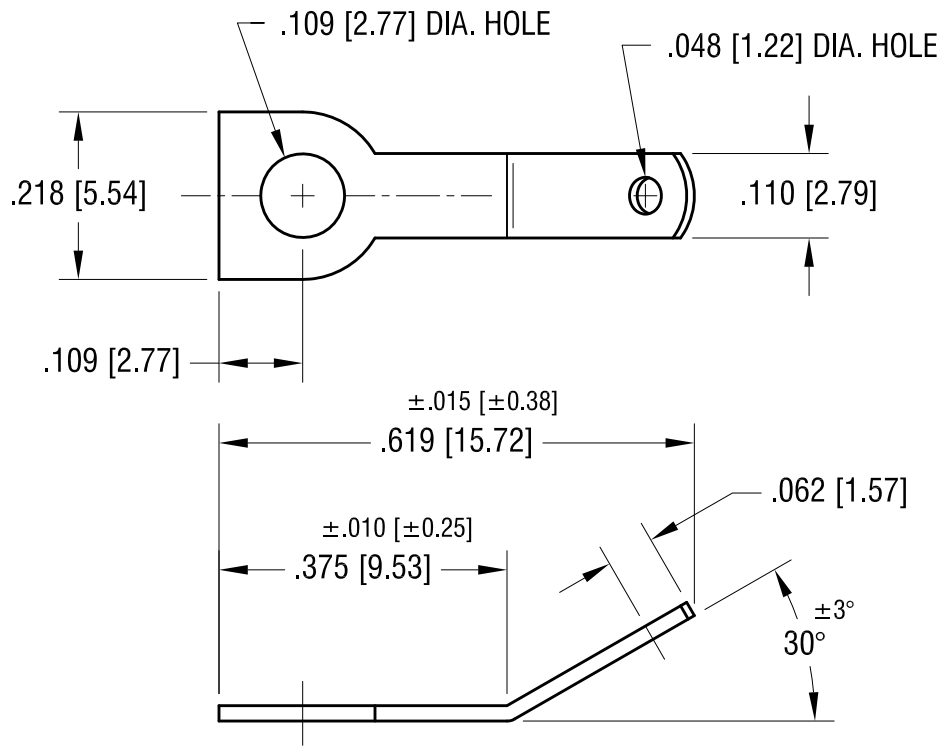
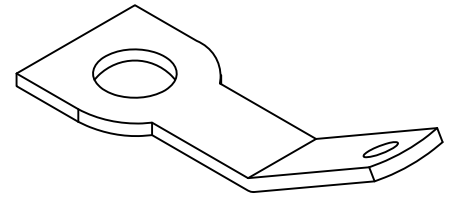


THIS DOCUMENT IS THE PROPERTY OF
KEYSTONE ELECTRONICS CORP. AND
SHALL NOT BE REPRODUCED, DISTRIBUTED
OR USED AS A BASIS FOR MANUFACTURE
WITHOUT PRIOR WRITTEN PERMISSION
FROM KEYSTONE ELECTRONICS CORP.



KEYSTONE ELECTRONICS CORP.

www.keyelco.com • ASTORIA, N.Y. 11105-2017 • Tel (718) 956-8900

| | | | |
|----------------------------|---------------|--------------------------------|-------------|
| PART NAME | | .110 QUICK-FIT TERMINAL | |
| MATERIAL | | .020 [0.50] TH'K BRASS | |
| FINISH | DRN BY | BOONE | DATE |
| MATTE TIN PLATE | APP'D | LN | 4.30.91 |
| TOLERANCES | INCH | [MM] | CODE |
| DECIMAL | $\pm .005$ | $[\pm 0.15]$ | DWG NO. |
| ANGULAR | $\pm 1^\circ$ | | 1270 |
| UNLESS OTHERWISE SPECIFIED | | | |

| | | |
|---------|--------------------------|------|
| 6.24.09 | CHANGE AS PER ECN 09-076 | B |
| 1.3.96 | CHANGE AS PER ECR 96-001 | A |
| DATE | DESCRIPTION | REV. |