

1

2

3

4

A

B

C

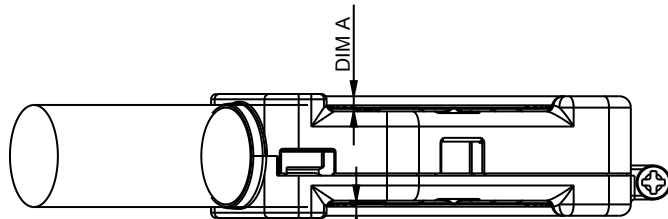
D

A

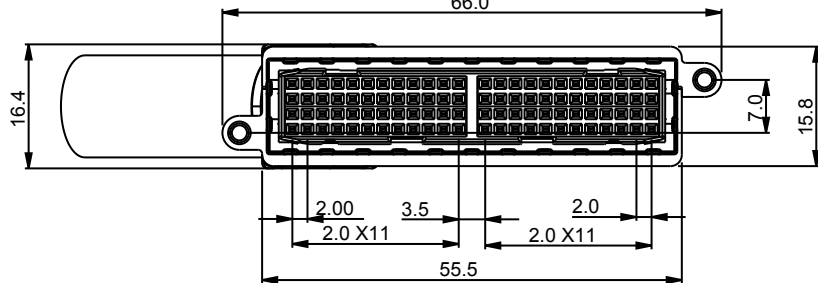
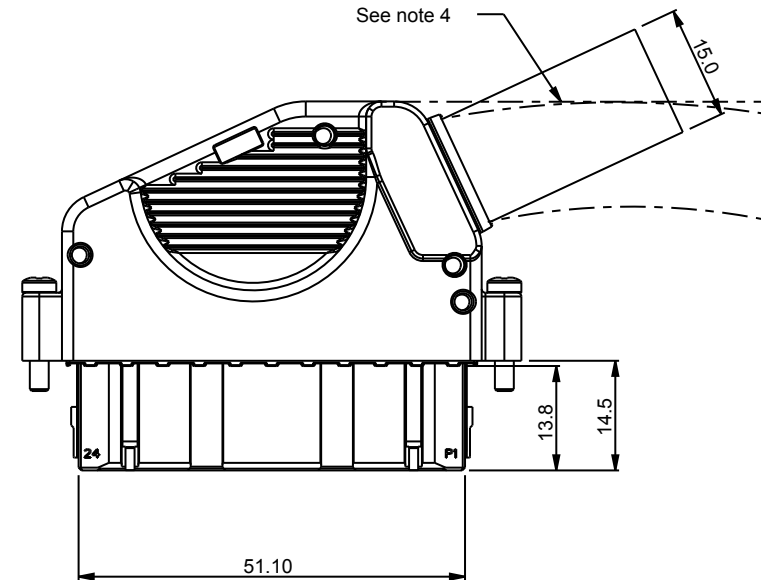
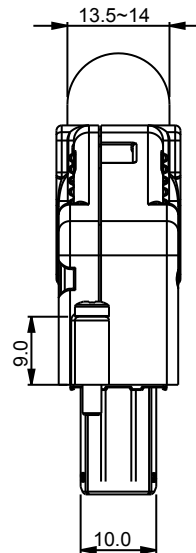
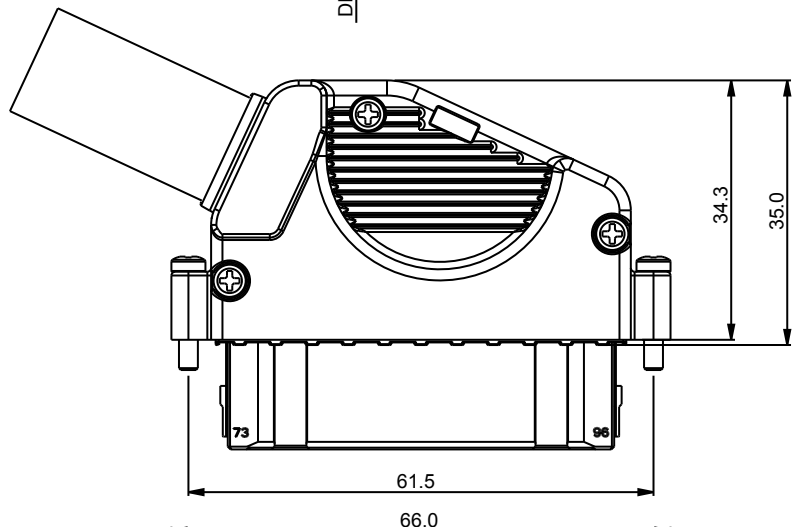
B

C

D



Cable KITS P/N	10087038-101LF	10087038-102LF	10087038-103LF	10087038-104LF
AWG Size	26	28 & 30	26	28 & 30
DIM A	2.00	2.00	0.30	0.30
DIM B	2.00	2.00	0.30	0.30



spec ref	*	dr	Junon Huang	2009/06/02	projection 	MM ←→	size	A4	scale	1.000
tolerance std	TOLERANCES UNLESS OTHERWISE SPECIFIED	eng	De-Feng Qin	2011/08/28			ecn no	ELX-DG-005300-2		
		chr	Abin Yu	2011/08/30			rel level	Released		
		appr	Pei-Ming Zheng	2011/08/30	product family	-				
surface	✓	 <a href="http://www.fci.com">www.fci.com</a>	title			dwg no	10087038	rev	C	
	linear		0.X	±0.3	96 Pos Cable Connector Kits					
			0.XX	±0.15						
		0.XXX	±0.05	E1T1						
	angular	0°	±3°	cat. no.	-	Product - Customer Drw	sheet 1	of 2		

ProE File - REV C - 2009-06-09

1

2

3

4

PDS: Rev :C

STATUS:Released

Printed: Sep 02, 2011



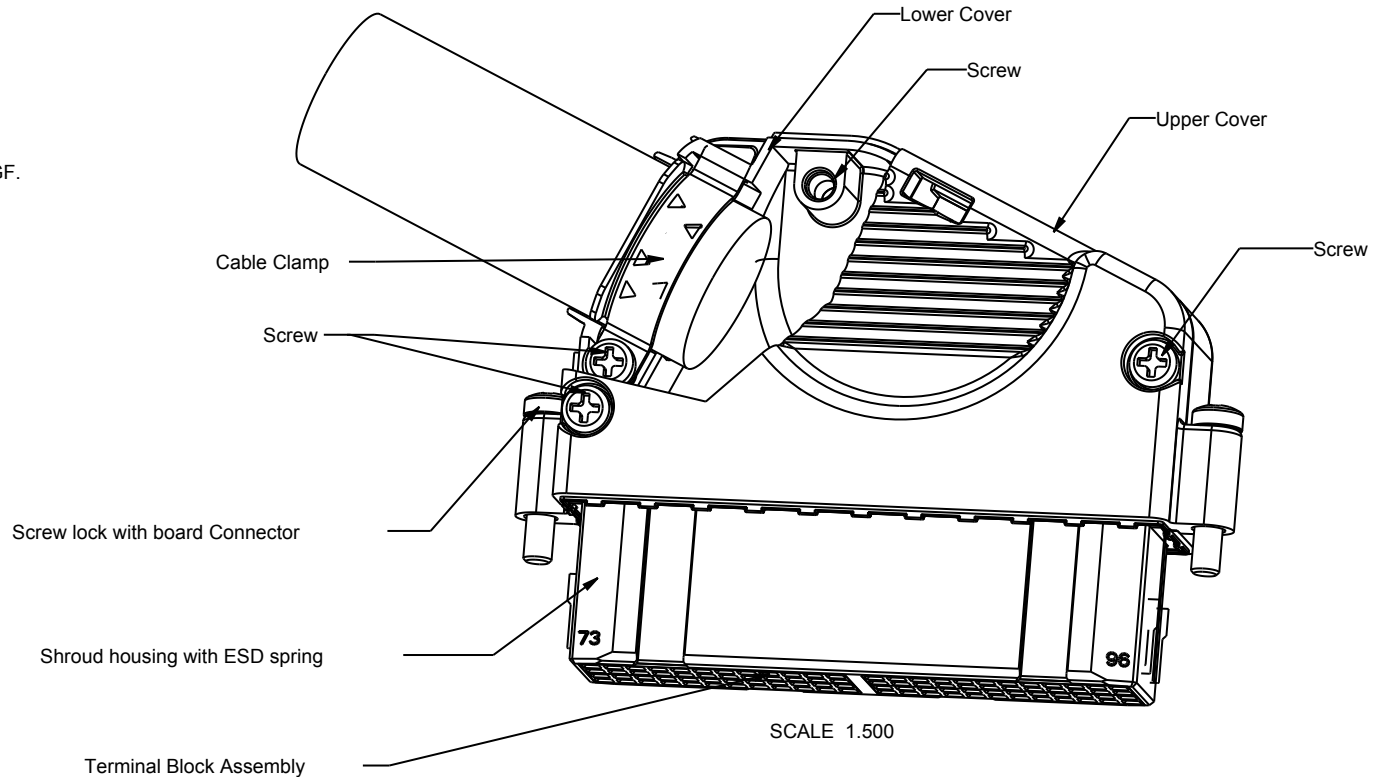
Copyright FCI.

# BOM of cable kits 10087038

Components Name	Upper Cover	Lower cover	Shroud housing with ESD spring	Terminal Block Assembly	Cable Clamp	Screw lock with Board connector	Screw lock to cover & clamp
Q'TY/ Kits	1	1	1	4	1	2	4

**Notes:**

- This product meets europe union directives and other country regulations as described in GS-22-008.
- The product is not intended to be exposed to a manufacturing solder process.
- Material:  
 Die casting cover: Zn alloy with Cu; Nickel & pure tin plating  
 Shroud housing: Black PBT 30% GF.  
 Terminal block housing: Black PBT 30% GF.  
 Terminal: Copper alloy and performance according to Telcordia CO.  
 ESD spring: Steel stainless.  
 Screw: Steel stainless
- The cable must be flexible to be bent under the line as below draft shown after cable assembled.
- Product specification GS-12-562  
 Application specification: GS-20-114  
 Packaging specification: GS-14-1292



spec ref	*			dr	Junon Huang	2009/06/02	projection 	MM ←→	size	A4	scale	1.000	
tolerance std	TOLERANCES UNLESS OTHERWISE SPECIFIED			eng	De-Feng Qin	2011/08/28			ecn no	ELX-DG-005300-2			
				chr	Abin Yu	2011/08/30				rel level	Released		
surface - ✓	linear	0.X	±0.3	FCI www.fci.com	title	96 Pos Cable Connector Kits			dwg no	10087038		rev	C
		0.XX	±0.15										
		0.XXX	±0.05										
	angular	0°	±3°	cat. no.	-	Product - Customer Drw			sheet 2	of 2			

Plot File - REV C - 2009-06-09



Copyright FCI.