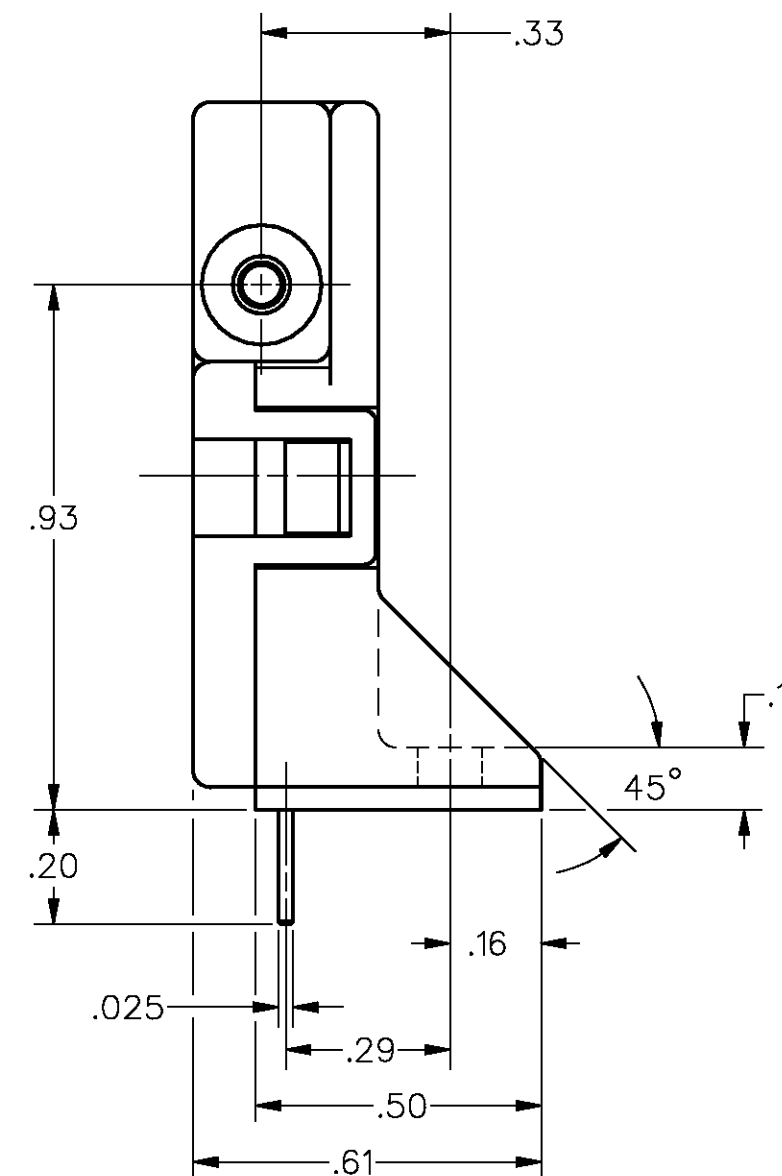
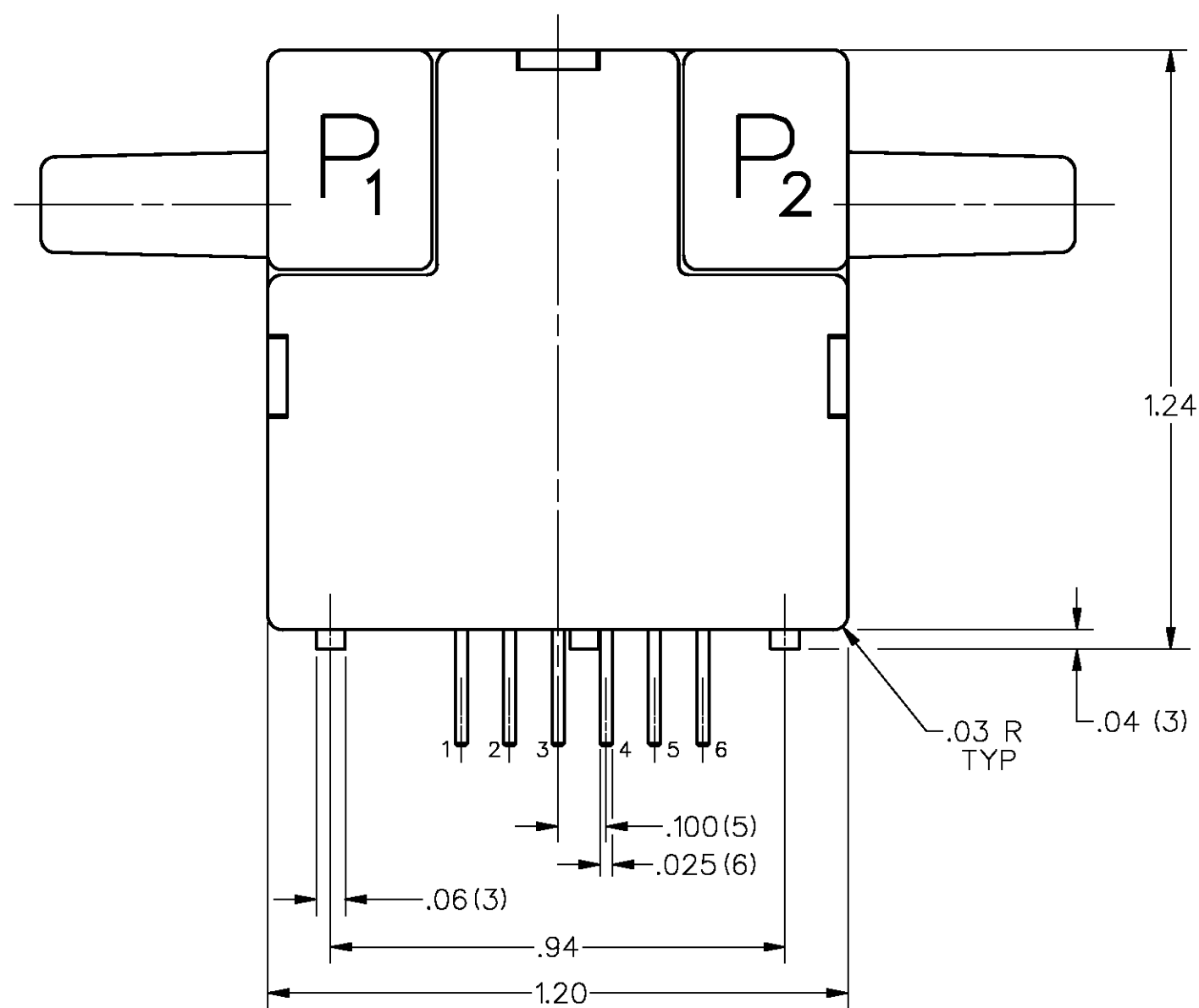
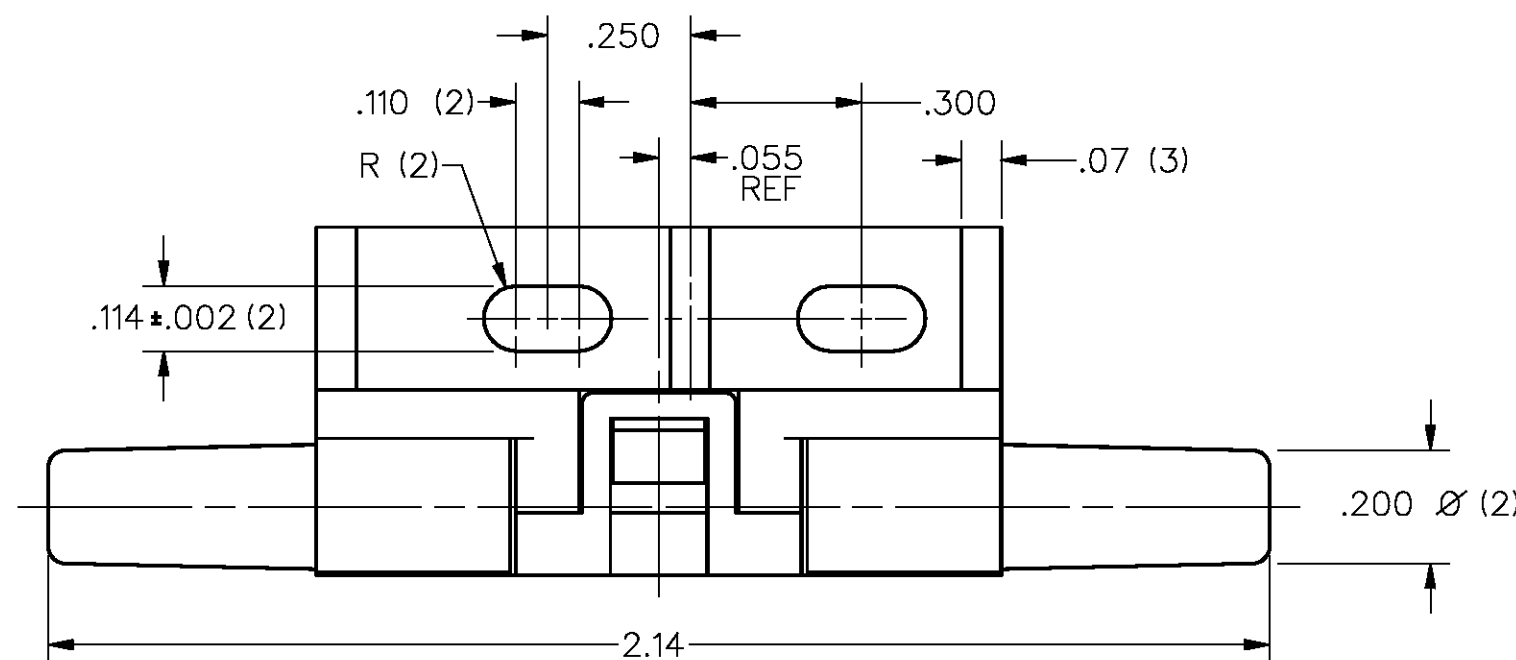


AWM2200V
OUTPUT FLOW VS. INTERCHANGEABILITY

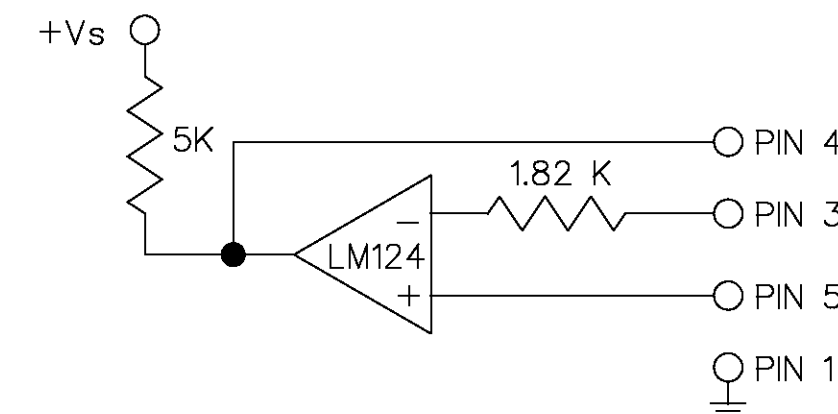
PRESS IN. H ₂ O	NOMINAL (mV)	TOL. (*mV)
4.00	31.75	3.50
3.00	26.75	2.50
2.00	20.00	1.2
1.00	11.20	1.80
0	0.00	1.0
-1.00	-11.20	3.00
-2.00	-20.00	3.30
-3.00	-26.75	5.30
-4.00	-31.75	7.00

SPECIFICATIONS:	AWM2200V
RECOMMENDED EXCITATION (USING TEST CIRCUIT) BVDC MIN	10.00*0.01VDC (15.00 VDC MAX)
POWER CONSUMPTION	30mW TYP
OUTPUT VOLTAGE TRIM POINT	20mV @ 2 IN. H ₂ O
NULL VOLTAGE	0.0*1.0mV
NULL VOLTAGE SHIFT (-25°C TO +85°C)	±.12 mV TYP
OUTPUT VOLTAGE SHIFT (+25°C TO -25°C) (+25°C TO +85°C)	+22.0% READING MAX. -22.0% READING MAX
REPEATABILITY & HYSTERESIS	±.35% READING MAX
RESPONSE TIME	3.0 msec MAX
OPERATING TEMPERATURE RANGE	-25°C TO +85°C
STORAGE TEMPERATURE RANGE	-40°C TO +90°C
TERMINATION (ON .100 CENTERS)	0.025 SQ. IN.
WEIGHT	10.8 GRAMS
SHOCK RATING (5 DROPS, EACH OF 6 AXES)	100G PEAK
OVERPRESSURE	25 psi MAX
SENSOR RESISTANCE (PIN 2-PIN 1, PIN 6-PIN 1)	5 K-OHMS (TYP)
SENSOR CURRENT (PIN 2-PIN 1, PIN 6-PIN 1)	0.6 mA (MAX)

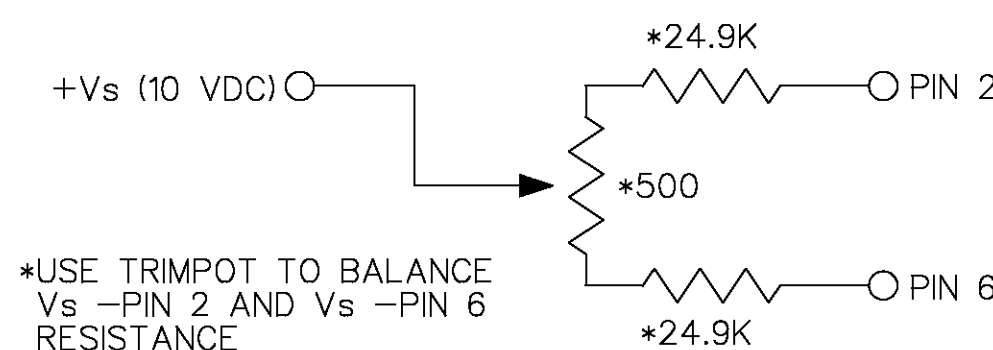
NOTES
1 - POSITIVE FLOW DIRECTION IS DEFINED AS PROCEEDING FROM P1 TO P2 AND RESULTS IN POSITIVE OUTPUT (PIN 6 > PIN 2). NEGATIVE FLOW DIRECTION IS DEFINED CONVERSELY AND RESULTS IN NEGATIVE OUTPUT (PIN 6 < PIN 2)



HEATER CONTROL CIRCUIT



SENSING BRIDGE SUPPLY CIRCUIT



DRAWING NUMBER: AWM2200V
 ISSUE: 7
 PAGE 1 OF 1
 RELEASE NO. PR-17967
 REPLACES: X86493-AW
 REVISIONS:
 A CORR 1 MAR 88
 B PR 17967
 C A A G 9 JAN 90
 D CO74438
 E J A T 6 JUL 93
 F CO83279
 G T W 9 SEP 96
 H CO83694
 I J A T 29 APR 97
 F CO94378
 TSM 23 MAR 99
 FORMTEK DRAWN
 D J S 17 MAR 87 CHECK J A S 11 JAN 90

MASTER REDUCED

THIS DRAWING COVERS A PROPRIETARY ITEM AND IS THE PROPERTY OF MICRO SWITCH, A DIVISION OF HONEYWELL. THIS DRAWING IS NOT TO BE COPIED OR USED WITHOUT THE APPROVAL OF MICRO SWITCH.		CATALOG LISTING AWM2200V
MICRO SWITCH a Honeywell Division	MASS AIRFLOW SENSOR	UNLESS OTHERWISE SPECIFIED TOLERANCES ARE: ONE PLACE (.0) ±.030 TWO PLACES (.00) ±.015 THREE PLACES (.000) ±.005 ANGLES ±
MICRO SWITCH FEDERAL MANUFACTURING CODE 91929		WEIGHT

THIRD ANGLE PROJECTION

 SCALE 3 : 1
 DO NOT SCALE PRINT
 UNLESS OTHERWISE SPECIFIED TOLERANCES ARE:
 ONE PLACE (.0) ±.030
 TWO PLACES (.00) ±.015
 THREE PLACES (.000) ±.005
 ANGLES ±
 WEIGHT