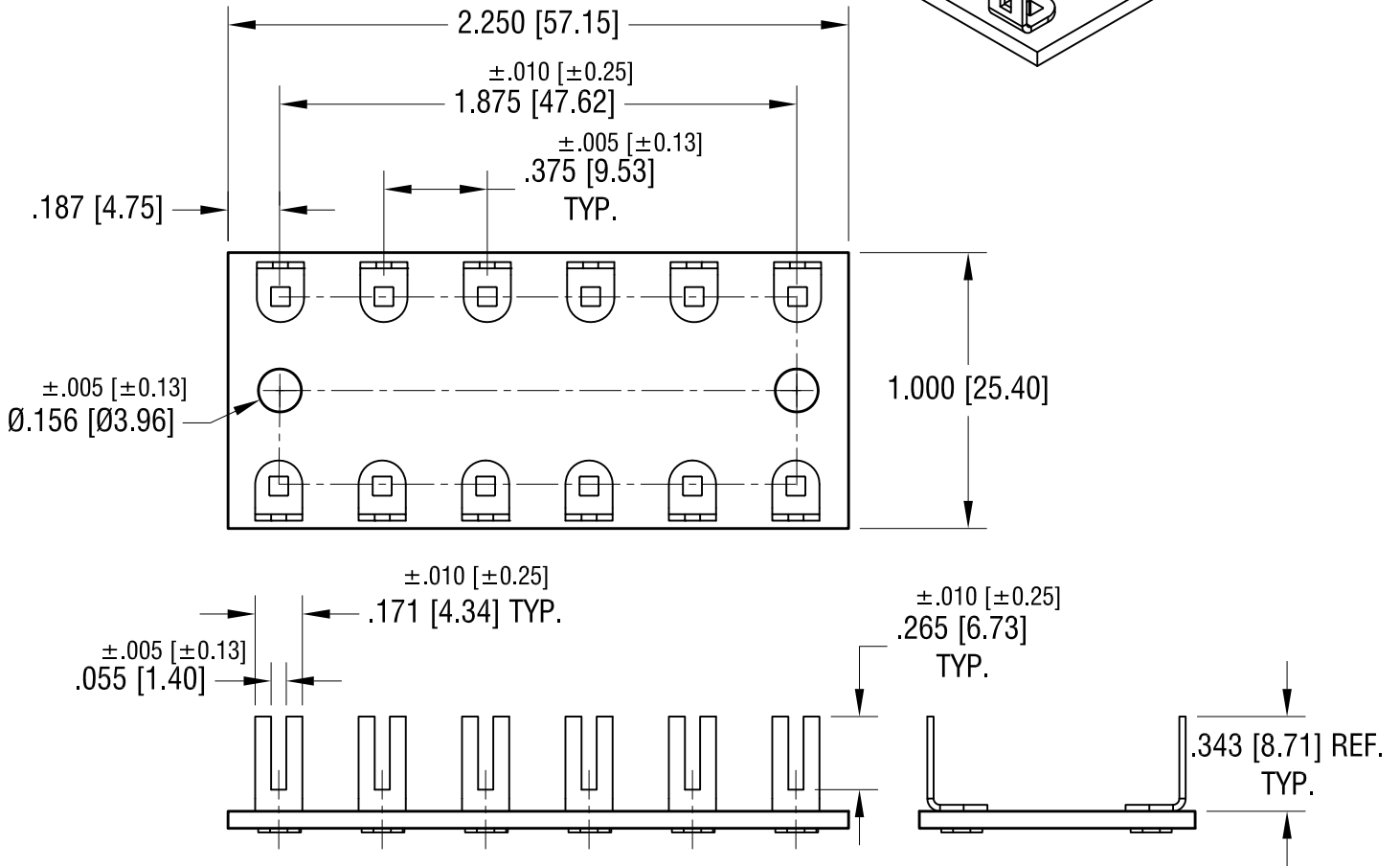
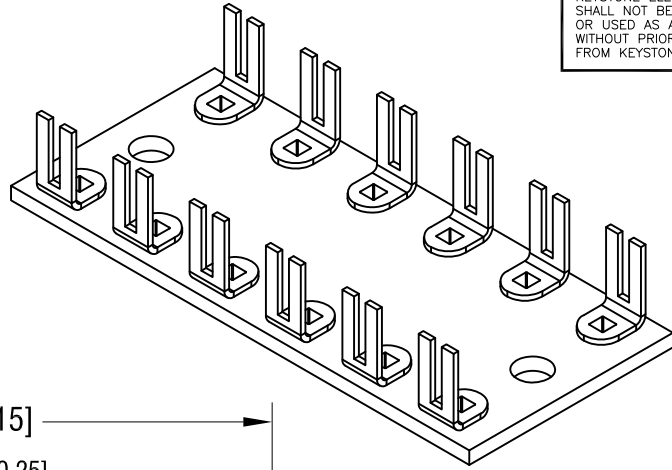


THIS DOCUMENT IS THE PROPERTY OF  
KEYSTONE ELECTRONICS CORP. AND  
SHALL NOT BE REPRODUCED, DISTRIBUTED  
OR USED AS A BASIS FOR MANUFACTURE  
WITHOUT PRIOR WRITTEN PERMISSION  
FROM KEYSTONE ELECTRONICS CORP.



**NOTE:**

1. BOARD: .062 [1.57] TH'K XP PHENOLIC
2. TERMINAL: BRASS  
FINISH: TIN PLATE

|                                                                 |                           |                        |                |
|-----------------------------------------------------------------|---------------------------|------------------------|----------------|
| <b>KEYSTONE ELECTRONICS CORP.</b>                               |                           |                        |                |
| www.keyelco.com • ASTORIA, N.Y. 11105-2017 • Tel (718) 956-8900 |                           |                        |                |
| PART NAME                                                       |                           | FORK TERMINAL ON BOARD |                |
| MATERIAL                                                        |                           | AS NOTED               |                |
| FINISH                                                          |                           | DRN BY                 | DATE           |
| AS NOTED                                                        |                           | NT                     | 10.28.11       |
|                                                                 |                           | APP'D                  | SCALE          |
|                                                                 |                           | LN                     | 1.5X           |
| TOLERANCES                                                      | INCH [MM]                 | CODE                   | DWG NO.        |
| DECIMAL                                                         | $\pm .015$ [ $\pm 0.38$ ] | C                      | <b>1268-12</b> |
| ANGULAR                                                         | $\pm 1^\circ$             |                        |                |
| UNLESS OTHERWISE SPECIFIED                                      |                           |                        |                |

|      |             |      |
|------|-------------|------|
| DATE | DESCRIPTION | REV. |
|      |             |      |