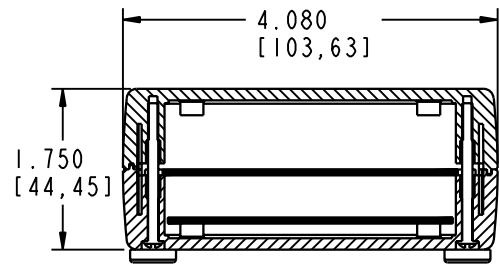
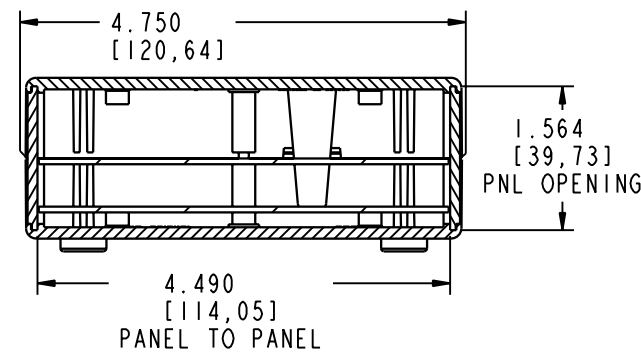


RECOMMENDED .062 PCB  
SIZE FOR POSITION 1

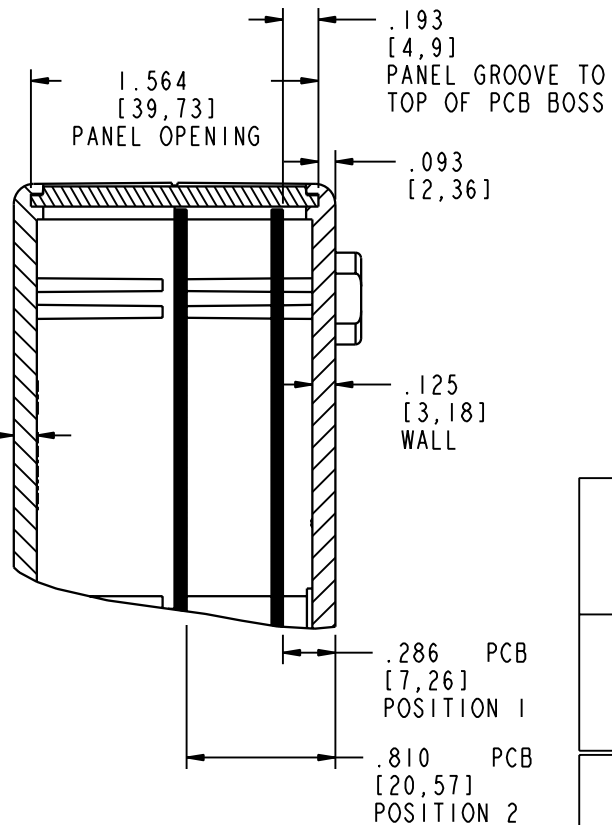
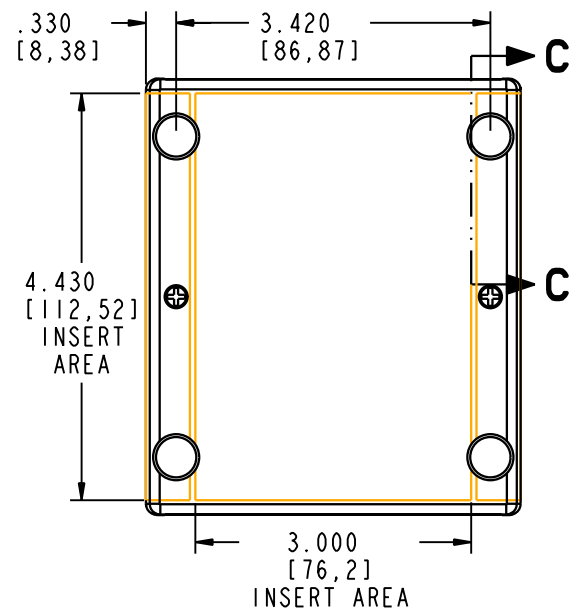
RECOMMENDED .062 PCB  
SIZE FOR POSITION 2



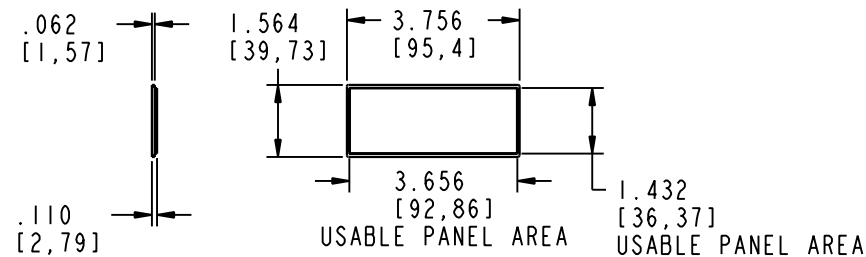
**SECTION A-A**



**SECTION B-B**



**SECTION C-C**  
SCALE 2.000



**PANEL SIZE**

**PACINTEC**<sup>®</sup>  
1-610-361-4231

**LH45-175**

VISIT **PACINTEC**<sup>®</sup>  
ON THE WORLD WIDE WEB  
[www.pactecenclosures.com](http://www.pactecenclosures.com)

COLOR / MATERIAL CODE		
COLOR	94HB	94VO
BLACK	000	028
P. C. BONE	039	060

DRAWING NUMBER	REV
79160	D