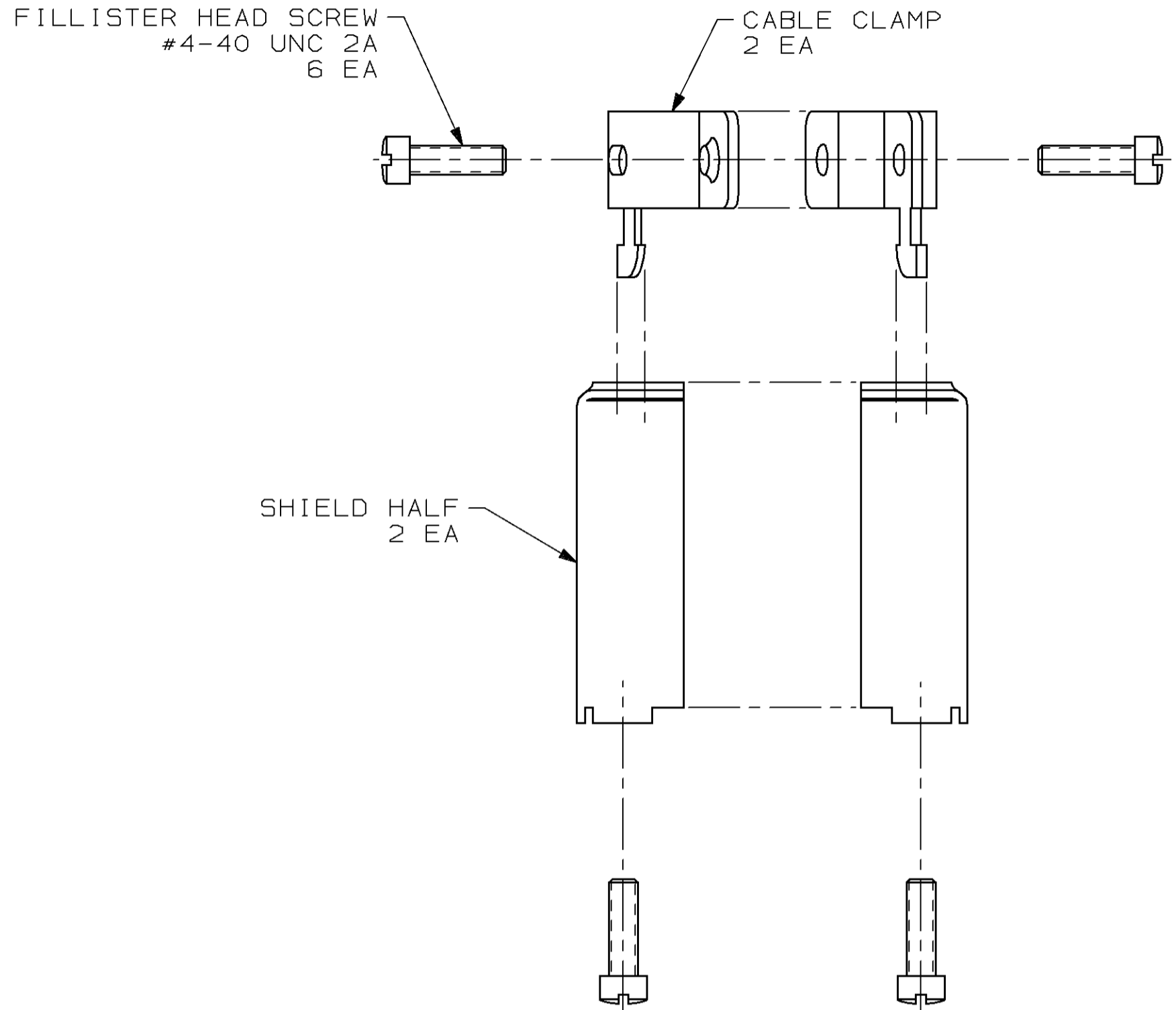
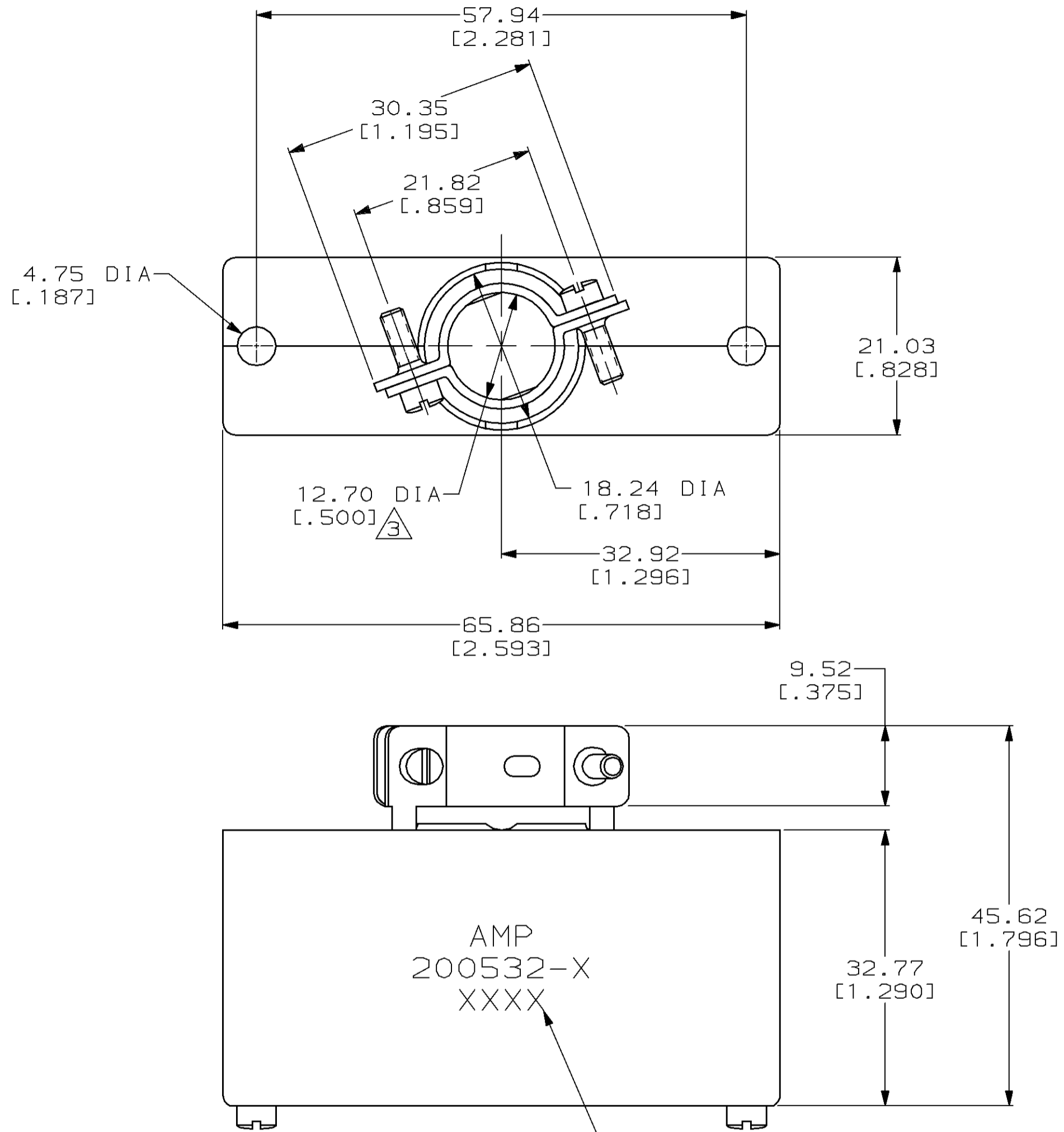


THIS DRAWING IS UNPUBLISHED. RELEASED FOR PUBLICATION  
 BY AMP INCORPORATED. ALL RIGHTS RESERVED.

LOC	DIST	REVISIONS			
P	LTR	DESCRIPTION	DATE	DWN	APVD
BD	36	Y	REDRAWN PER EC 0020-929-95	25 SEP 95	-



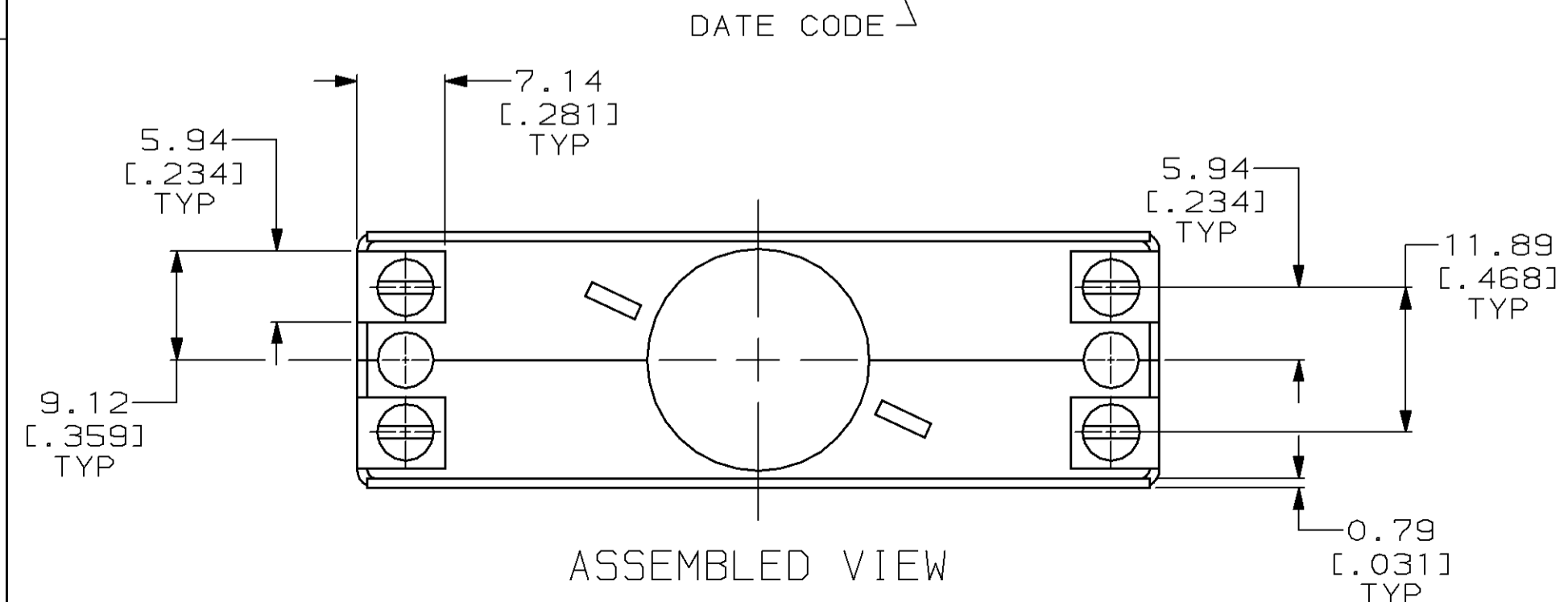
FILLISTER HEAD SCREW  
 #4-40 UNC 2A  
 6 EA

CABLE CLAMP  
 2 EA

SHIELD HALF  
 2 EA

- ① SHIELD HALF: SEE TABLE.  
CABLE CLAMP & SCREWS: CARBON STEEL.
- ② SHIELD HALF: SEE TABLE.  
CABLE CLAMP: 5.08µm [.000200] MIN NICKEL.  
SCREWS: ZINC PLATED.
- ③ DIAMETER WILL ACCEPT 50 WIRES OF .065 MAX OD.

5.08µm [.000200] MIN NICKEL	CARBON STEEL	200532-2
CLEAR ANODIZE	ALUMINUM	200532-1
SHIELD FINISH	SHIELD MATERIAL	PART NUMBER



ASSEMBLED VIEW

DIMENSIONS:		TOLERANCES UNLESS OTHERWISE SPECIFIED:		DWN		NAME	
mm	[INCHES]	0 PLC	±-	C. REIFSNYDER	25 SEP 95	AMP Incorporated	
		1 PLC	±-	CHK R. STONE	15 SEP 95	Harrisburg, PA 17105-3608	
		2 PLC	±0.38 [.015]	APVD G. STEINHAUER	03 OCT 95	SHIELD KIT, UNASSEMBLED, 50 PLACE, M SERIES	
		3 PLC	±-	PRODUCT SPEC	-	SIZE	CAGE CODE
		4 PLC	±-	APPLICATION SPEC	-	A2	00779
		ANGLES	±-	WEIGHT	-	DRAWING NO	C=200532
		FINISH	±-	CUSTOMER DRAWING	-	SCALE	2:1
						SHEET	1 OF 1
						REV	Y