

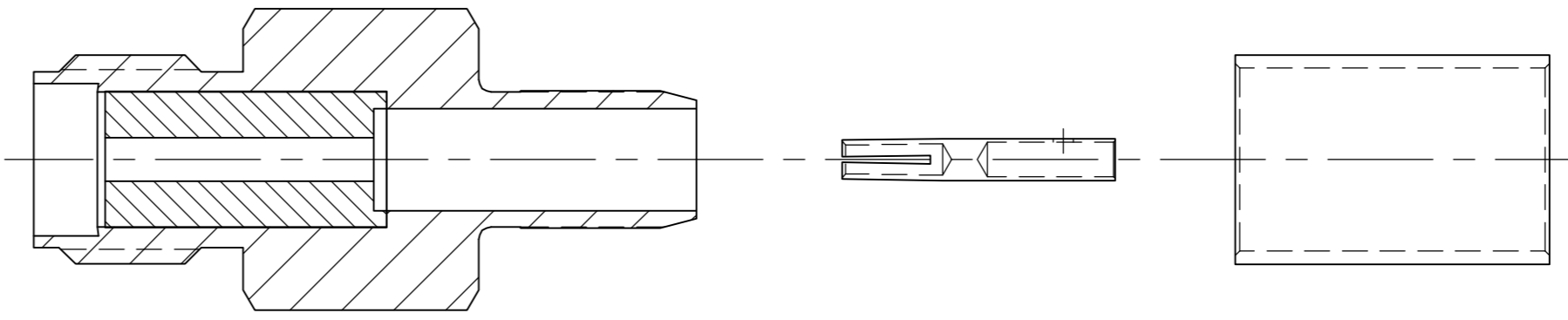
THIS DRAWING IS UNPUBLISHED.			RELEASED FOR PUBLICATION			N/A , N/A .		
© COPYRIGHT N/A BY TYCO ELECTRONICS CORPORATION. ALL RIGHTS RESERVED.								
COMPONENT	MATERIAL	FINISH						
HOUSING	STAINLESS STEEL PER ASTM-A-484 OR ASTM-A-582 TYPE 303	PASSIVATED PER ASTM-A-380						
DIELECTRIC	PTFE FLUOROCARBON PER ASTM-D-1457							
CENTER CONTACT	BERYLLIUM COPPER PER ASTM-B-196 OR 197 ALLOY C17300, CONDITION H	GOLD PLATED PER ASTM-B-488						
FERRULE	COPPER OR BRASS ALLOY, ROCKWELL F65 MAX	GOLD PLATED PER ASTM-B-488						

ENVIRONMENTAL	
TEMPERATURE RATING:	-65°C TO +165°C
VIBRATION:	MIL-STD-202, METHOD 204, CONDITION D
SHOCK:	MIL-STD-202, METHOD 213, CONDITION 1
MOISTURE RESISTANCE:	MIL-STD-202, METHOD 106
CORROSION:	MIL-STD-202, METHOD 101, CONDITION B. 5% SALT SPRAY
THERMAL SHOCK:	MIL-STD-202, METHOD 107, CONDITION B EXCEPT HIGH TEMP 85°C

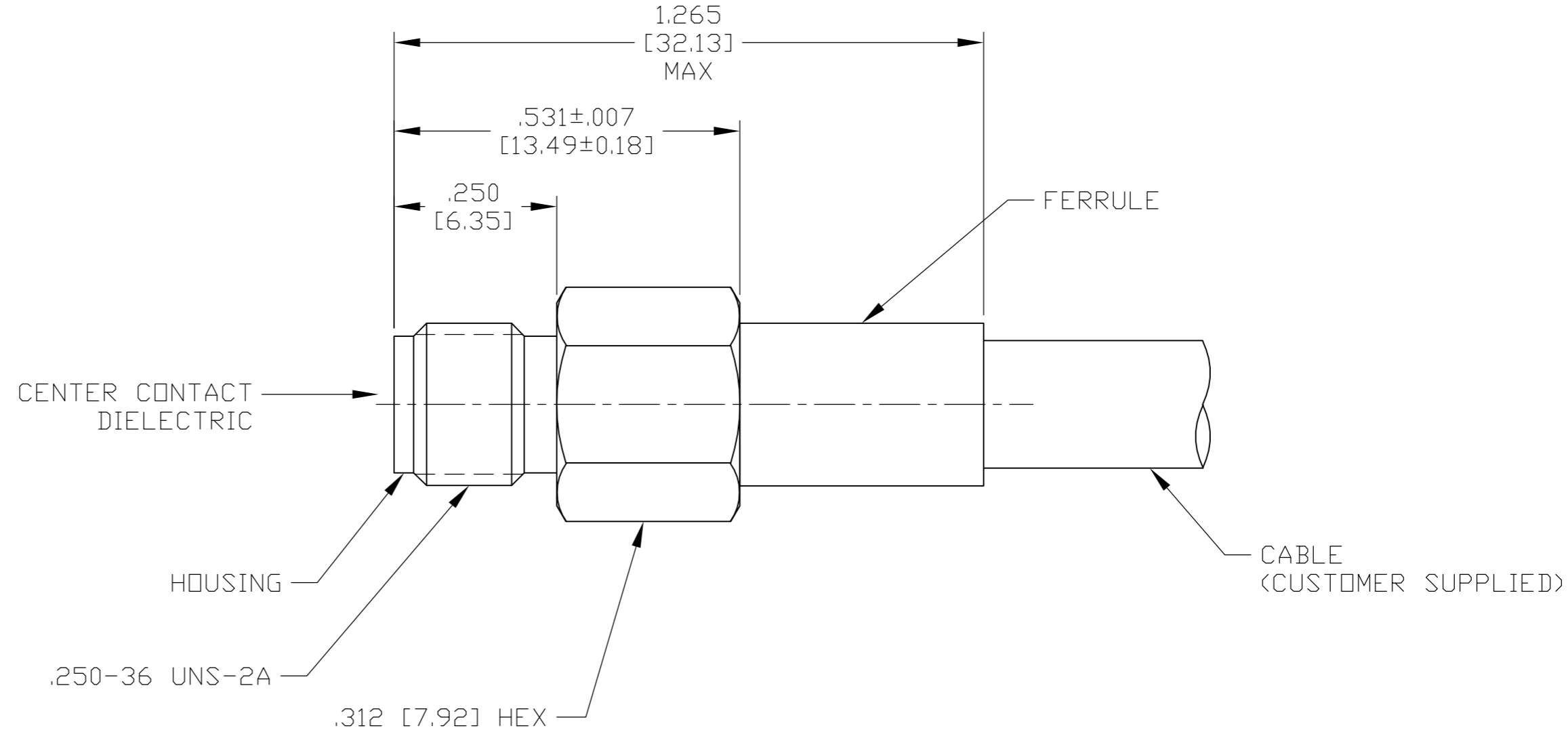
MECHANICAL	
INTERFACE DIMENSIONS:	MIL-STD-348A FIG. 310.2
RECOMMENDED MATING TORQUE:	7-10 IN-LBS
FORCE TO ENGAGE & DISENGAGE (IN-LBS MAX):	2.0
WEIGHT (GRAMS):	TBD
MATING CHARACTERISTICS:	INSERTION (MAX LBS): 2 WITHDRAWAL (MIN OZ): 1
CABLE RETENTION:	AXIAL FORCE (LBS): 45 TORQUE (IN-OZ): N/A
CENTER CONTACT CAPTIVATION:	AXIAL (LBS): 6.0 RADIAL (IN-OZ): N/A

ELECTRICAL	
NORMAL IMPEDANCE (OHMS):	50
FREQUENCY RANGE (GHz):	DC TO 12.4
VOLT RATING @ SEA LEVEL (VRMS MAX):	335
VSWR:	1.15+0.01f(GHz)
INSERTION LOSS: (dB MAX):	.06 $\sqrt{f(\text{GHz})}$
RF LEAKAGE (dB MIN):	-60 @ 2-3GHz
CORONA 70,000 FT (VRMS MIN):	250
DIELECTRIC WITHSTANDING VOLTAGE (VRMS MIN) AT SEA LEVEL:	1000
I.R. (MEGOHMS MIN):	5000
RF HIGH POTENTIAL AT SEA LEVEL (VRMS MIN @ 5 MHz):	670
CONTACT RESISTANCE (MILLIOHMS MAX):	CENTER CONTACT: 3.0 OUTER CONTACT: 2.0 CABLE TO HOUSING: 0.5

LOC	DIST	REVISIONS					
DF	X0	P	LTR	DESCRIPTION	DATE	DWN	APVD
		C		REV PER 0G3D-0032-03	11-03	JMK	JL



AS SHIPPED TO CUSTOMER



ASSEMBLED VIEW

DESIGNED TO USE	RG-142/U OR EQUIVALENT
CABLE ENTRY	DIAMETER MIN
HOUSING:	.121 [3.07]
CONTACT:	.039 [0.99]
DIELECTRIC:	N/A
FERRULE:	.216 [5.49]

THIS DRAWING IS A CONTROLLED DOCUMENT.	
DIMENSIONS:	TOLERANCES UNLESS OTHERWISE SPECIFIED:
INCHES [mm]	0 PLC ± -
	1 PLC ± -
	2 PLC ± -
	3 PLC ± .005 [0.13]
	4 PLC ± -
	ANGLES ± -
MATERIAL	FINISH
SEE TABLE	SEE TABLE

DWN	J. KAISER	9/09/02	Tyco Electronics Corporation Harrisburg, PA 17105				
CHK	J.LIPPERT	10-8-02					
APVD	J.LIPPERT	10-8-02					
PRODUCT SPEC							
APPLICATION SPEC			NAME				
408-8743			SMA STRAIGHT CABLE JACK-CRIMP ATTACHMENT (M39012/57B3015) CAT B				
WEIGHT	TBD	SIZE	A2	CAGE CODE	00779	DRAWING NO	C=1051908
CUSTOMER DRAWING			SCALE	5:1	SHEET	1 OF 1	REV
			RESTRICTED TO				

1051908

1051908-1
PART NO.