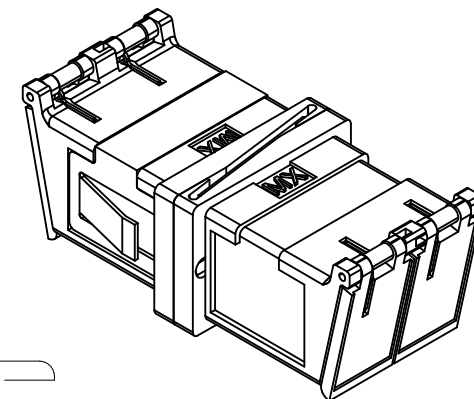
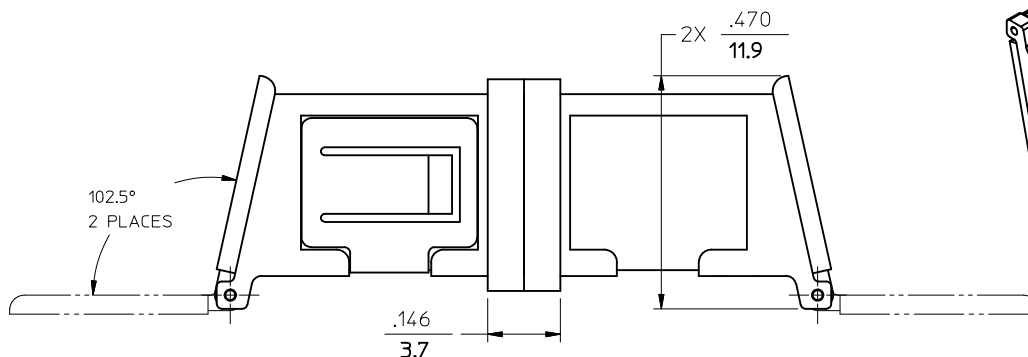
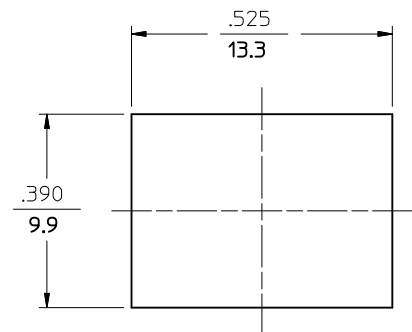
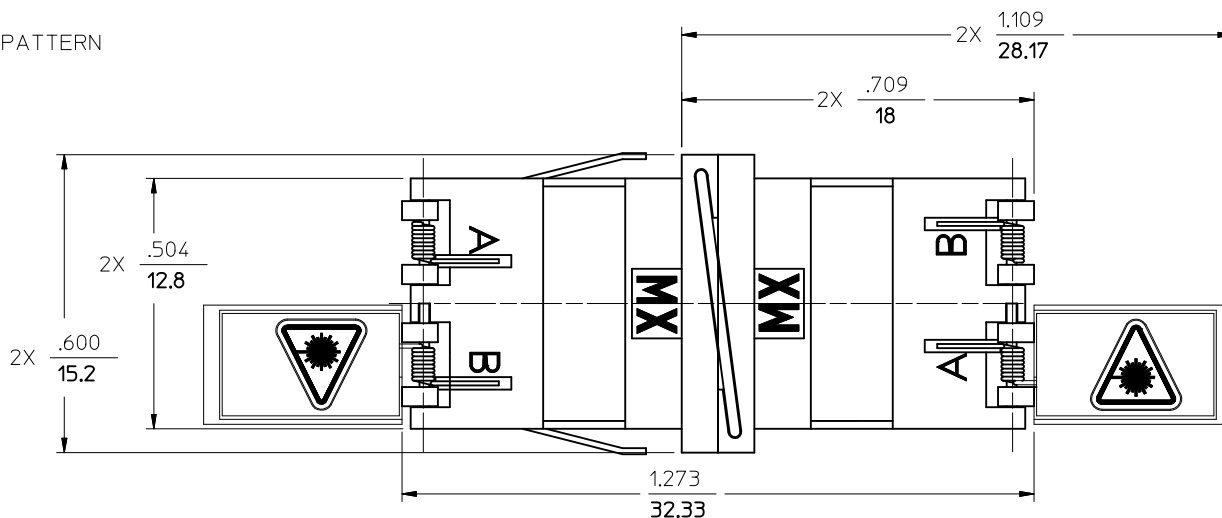
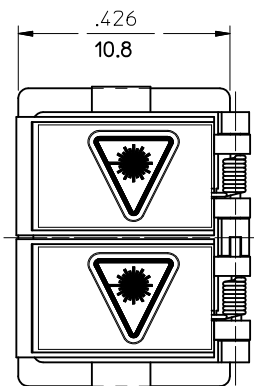


10	9
LC ADAPTER ASSY. P/N	LC SLEEVE MATERIAL
106128-0690	Ph. BRONZE
106128-1690	ZR



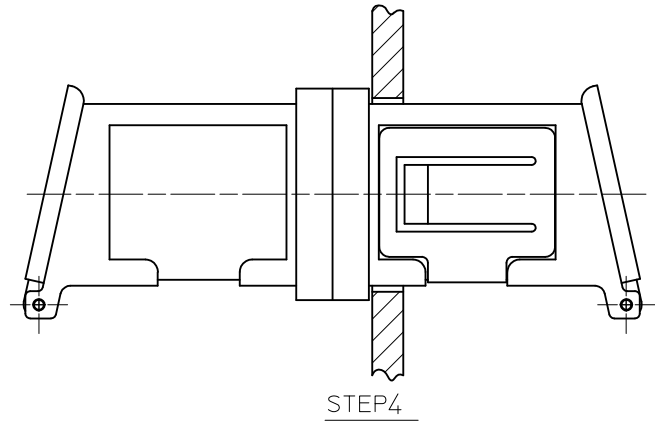
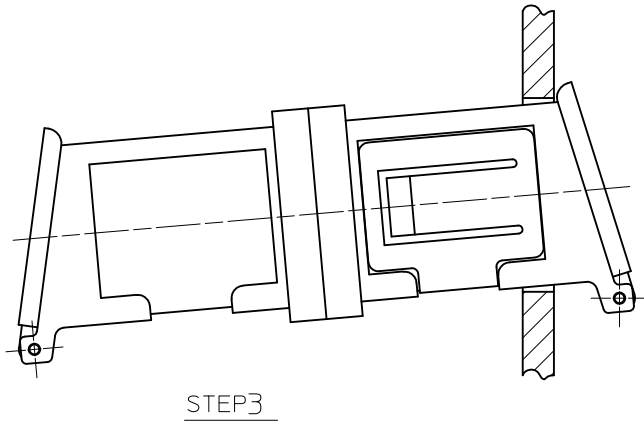
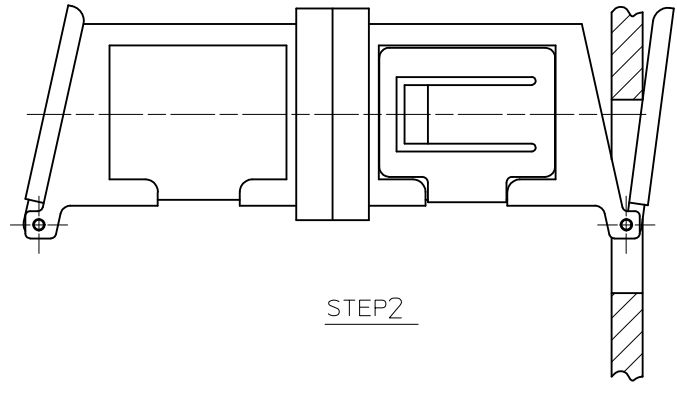
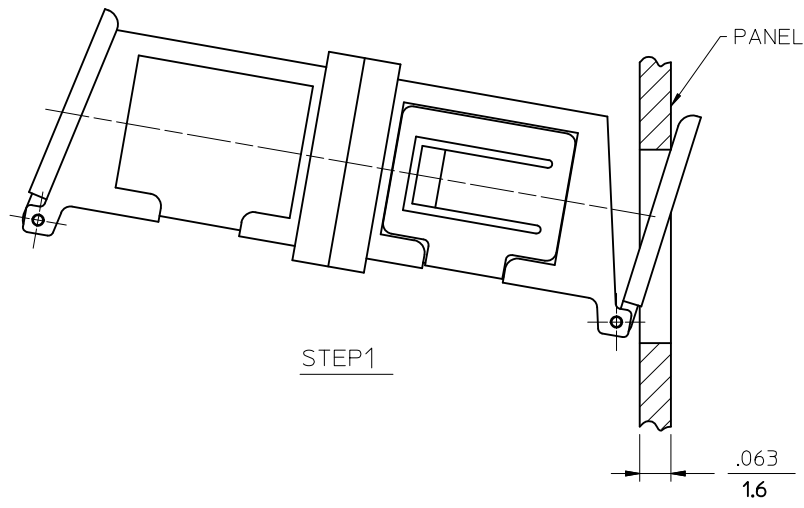
RECOMMENDED MOUNTING PATTERN
FOR $\frac{.063}{1.6}$ THICK PANEL



- NOTES:
1. ALL DIMENSIONS ARE FOR REFERENCE ONLY.
 2. USER ASSEMBLES LABELS.
 3. ADAPTERS TO BE PACKAGED IN TRAY

ENTER DESCRIPTION EC NO: MF2010-0240 DRW: MKPEVZNER 2009/12/04 CHKD: 2009/12/04 APPR: LGUMIN 2009/12/07	QUALITY SYMBOLS = 0 = 0	GENERAL TOLERANCES (UNLESS SPECIFIED)		DIMENSION STYLE IN/MM	SCALE 4:1	DESIGN UNITS INCH	THIRD ANGLE PROJECTION
		4 PLACES ± --- ± --- 3 PLACES ± --- ± --- 2 PLACES ± --- ± --- 1 PLACE ± --- ± ---	mm INCH DRAWN BY DATE PGIBLIN 2005/10/05 CHECKED BY DATE	TITLE LC DUPLEX ADAPTER			
		ANGULAR ±1/2°		APPROVED BY DATE	MOLEX INCORPORATED		
		DRAFT WHERE APPLICABLE MUST REMAIN WITHIN DIMENSIONS		MATERIAL NO. SEE TABLE	DOCUMENT NO. SD-106128-X690	SHEET NO. 1 OF 02	
A3		SIZE B		THIS DRAWING CONTAINS INFORMATION THAT IS PROPRIETARY TO MOLEX INCORPORATED AND SHOULD NOT BE USED WITHOUT WRITTEN PERMISSION			

10 9 8 7 6 5 4 3 2 1



ENTER DESCRIPTION EC NO: MF2010-0240 DRAWN: KPEVZNER CHKD: KPEVZNER APPR: IGUMIN DATE: 2009/12/04 DATE: 2009/12/04 DATE: 2009/12/07 DATE: 2009/12/07 A3 REV	QUALITY SYMBOLS ▼=0 ▽=0	GENERAL TOLERANCES (UNLESS SPECIFIED) <table border="1"> <thead> <tr> <th></th> <th>mm</th> <th>INCH</th> </tr> </thead> <tbody> <tr> <td>4 PLACES</td> <td>±---</td> <td>±---</td> </tr> <tr> <td>3 PLACES</td> <td>±---</td> <td>±---</td> </tr> <tr> <td>2 PLACES</td> <td>±---</td> <td>±---</td> </tr> <tr> <td>1 PLACE</td> <td>±---</td> <td>±---</td> </tr> </tbody> </table>		mm	INCH	4 PLACES	±---	±---	3 PLACES	±---	±---	2 PLACES	±---	±---	1 PLACE	±---	±---	DIMENSION STYLE IN/MM DRAWN BY PGIBLIN DATE 2005/10/05 CHECKED BY DATE APPROVED BY DATE	SCALE 4:1 DESIGN UNITS INCH THIRD ANGLE PROJECTION	TITLE LC DUPLEX ADAPTER
		mm	INCH																	
	4 PLACES	±---	±---																	
	3 PLACES	±---	±---																	
2 PLACES	±---	±---																		
1 PLACE	±---	±---																		
DRAFT WHERE APPLICABLE MUST REMAIN WITHIN DIMENSIONS		MATERIAL NO. 1061280690 SIZE B	MOLEX INCORPORATED DOCUMENT NO. SD-106128-X690	SHEET NO. 2 OF 02																
THIS DRAWING CONTAINS INFORMATION THAT IS PROPRIETARY TO MOLEX INCORPORATED AND SHOULD NOT BE USED WITHOUT WRITTEN PERMISSION																				

9 8 7 6 5 4 3 2 1