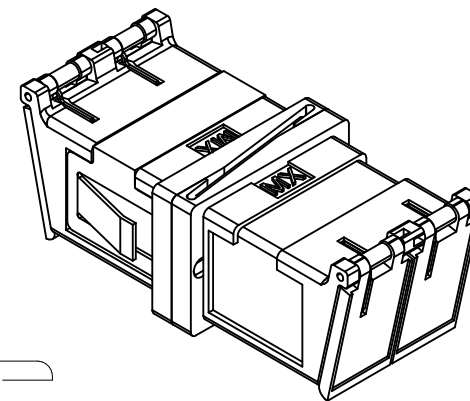
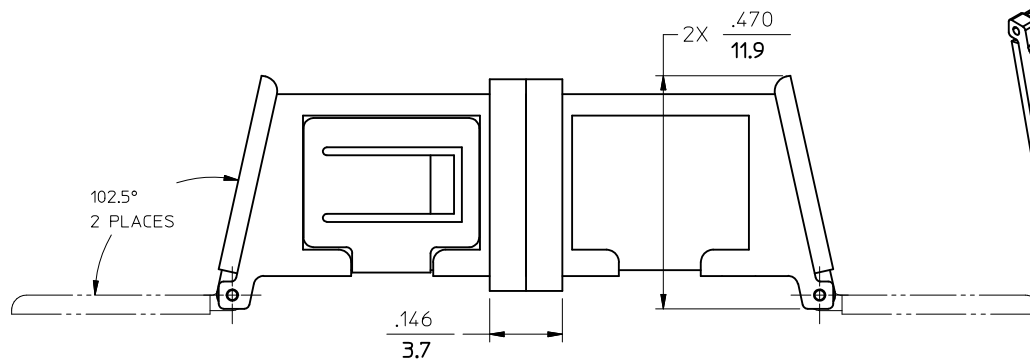
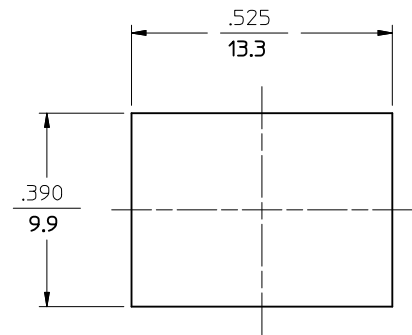
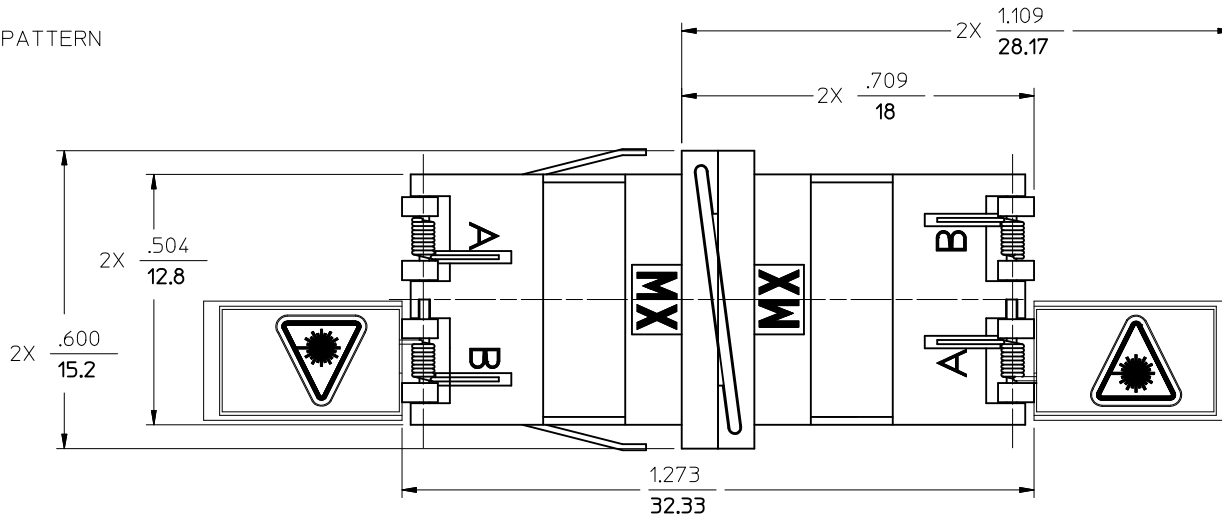
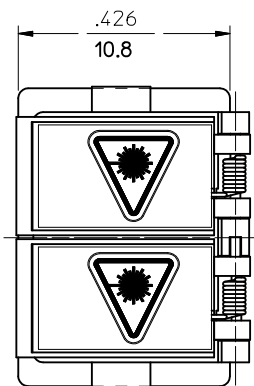


10	9
LC ADAPTER ASSY. P/N	LC SLEEVE MATERIAL
106128-0690	Ph. BRONZE
106128-1690	ZR



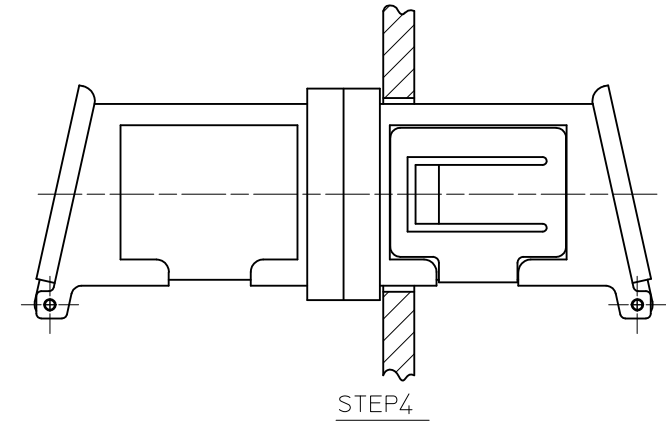
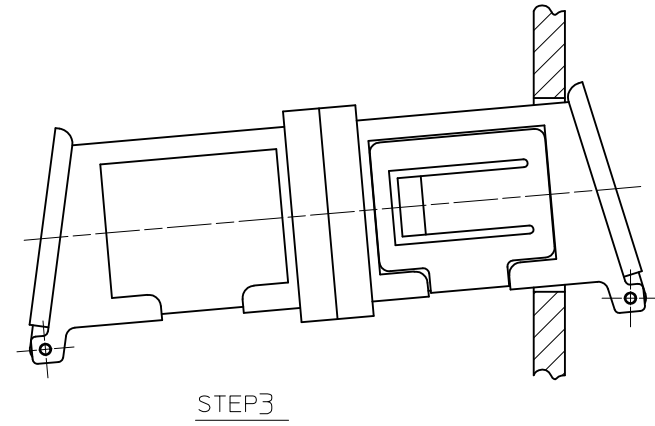
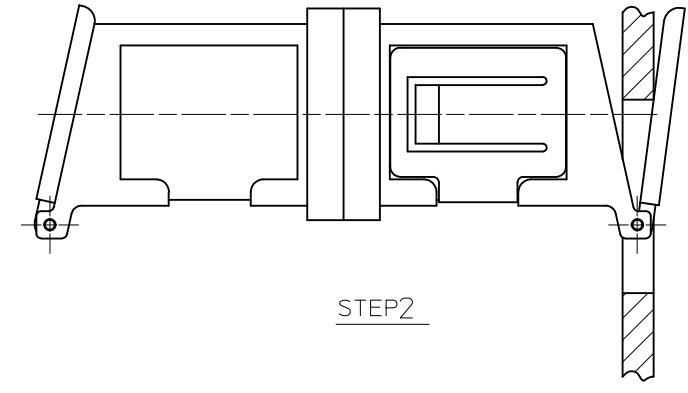
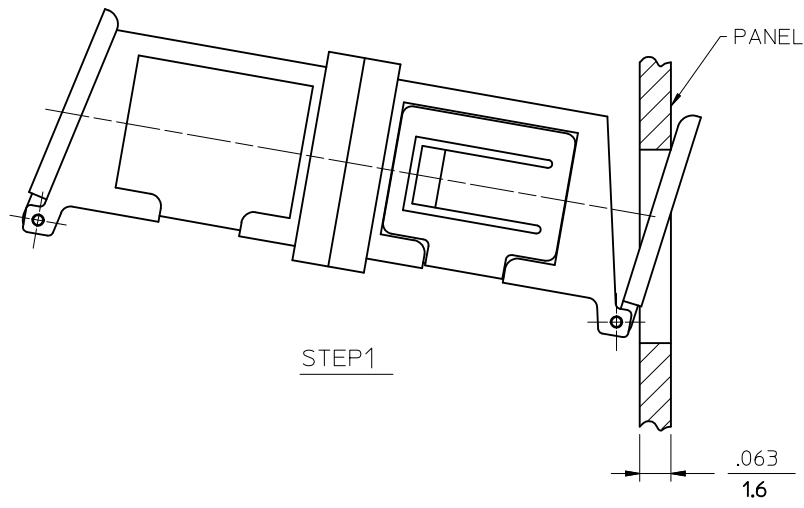
RECOMMENDED MOUNTING PATTERN
FOR $\frac{.063}{1.6}$ THICK PANEL



- NOTES:
1. ALL DIMENSIONS ARE FOR REFERENCE ONLY.
 2. USER ASSEMBLES LABELS.
 3. ADAPTERS TO BE PACKAGED IN TRAY

ENTER DESCRIPTION EC NO: MF2010-0240 DRW: MKPEVZNER 2009/12/04 CHKD: 2009/12/04 APPR: LGUMIN 2009/12/07	QUALITY SYMBOLS = 0 = 0	GENERAL TOLERANCES (UNLESS SPECIFIED)		DIMENSION STYLE IN/MM	SCALE 4:1	DESIGN UNITS INCH	THIRD ANGLE PROJECTION
		mm INCH	DRAWN BY DATE PGIBLIN 2005/10/05	TITLE LC DUPLEX ADAPTER			
		4 PLACES ± --- ± --- 3 PLACES ± --- ± --- 2 PLACES ± --- ± --- 1 PLACE ± --- ± ---	CHECKED BY DATE	MATERIAL NO. SEE TABLE			
		ANGULAR ±1/2°		APPROVED BY DATE	MOLEX INCORPORATED		
DRAFT WHERE APPLICABLE MUST REMAIN WITHIN DIMENSIONS	SIZE B	DOCUMENT NO. SD-106128-X690	SHEET NO. 1 OF 02				
THIS DRAWING CONTAINS INFORMATION THAT IS PROPRIETARY TO MOLEX INCORPORATED AND SHOULD NOT BE USED WITHOUT WRITTEN PERMISSION							

10 9 8 7 6 5 4 3 2 1



ENTER DESCRIPTION EC NO: MF2010-0240 DRAWN: KPEVZNER CHKD: KPEVZNER APPR: IGUMIN 2009/12/04 2009/12/04 2009/12/07	QUALITY SYMBOLS ▼=0 ▽=0	GENERAL TOLERANCES (UNLESS SPECIFIED)		DIMENSION STYLE IN/MM	SCALE 4:1	DESIGN UNITS INCH	THIRD ANGLE PROJECTION
		4 PLACES ± --- ± --- 3 PLACES ± --- ± --- 2 PLACES ± --- ± --- 1 PLACE ± --- ± ---	mm INCH	DRAWN BY DATE PGIBLIN 2005/10/05	TITLE LC DUPLEX ADAPTER		
		ANGULAR ±1/2°		APPROVED BY DATE	MOLEX INCORPORATED		
		DRAFT WHERE APPLICABLE MUST REMAIN WITHIN DIMENSIONS		MATERIAL NO. 1061280690	DOCUMENT NO. SD-106128-X690	SHEET NO. 2 OF 02	
A3		SIZE B		THIS DRAWING CONTAINS INFORMATION THAT IS PROPRIETARY TO MOLEX INCORPORATED AND SHOULD NOT BE USED WITHOUT WRITTEN PERMISSION			

9 8 7 6 5 4 3 2 1