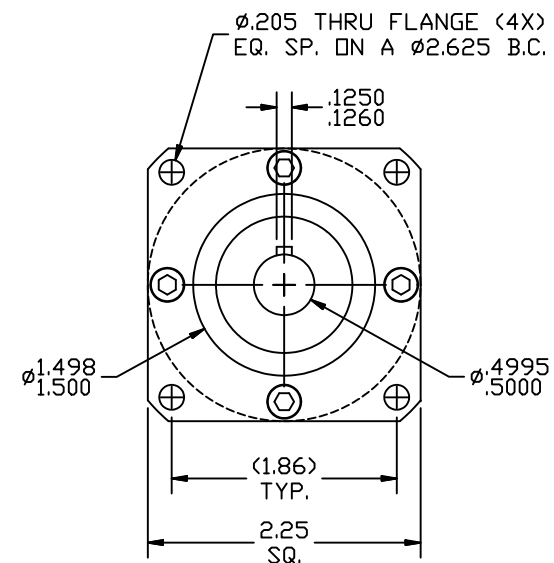
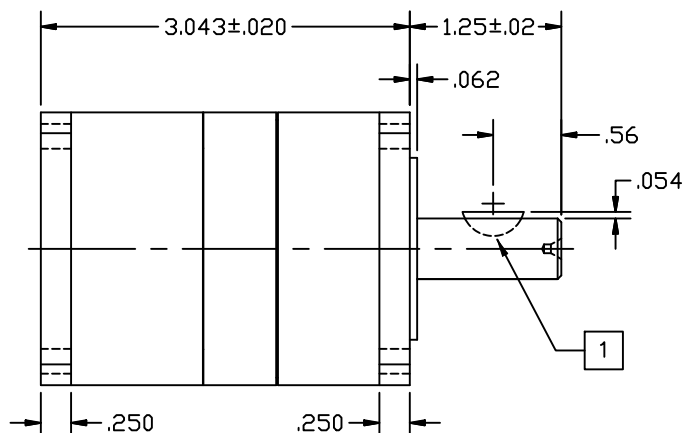
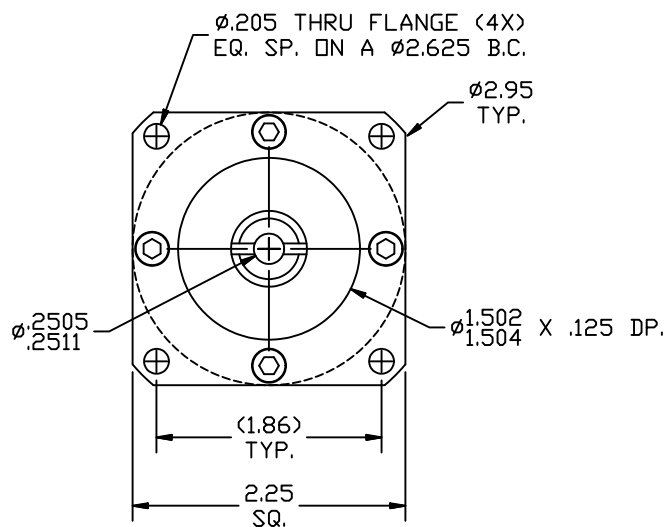


REVISIONS			
REV	DESCRIPTION	DATE	APPROVED
A	INITIAL RELEASE ECO 6709	2/22/13	J Kordik



NOTES: UNLESS OTHERWISE SPECIFIED

- 1 #404 WOODRUFF KEY.
2. 23PN005.5 RATIO- 5.5:1
3. FOR TECHNICAL DETAILS, CONTACT APPLIED MOTION PRODUCTS.

TOLERANCES		THIRD ANGLE PROJECTION		APPLIED MOTION PRODUCTS, INC.	
DECIMALS: [MM] INCH X.XXX = ± .005 X.XX = ± [0.13] .010 X.X = ± [0.25] .020 ANGLES: MACH. = ± 5° CHAM. = ± 5°					
		APPROVALS DATE DRAWN <i>R. JONEZ</i> 2/22/13 CHECKED			
COMPUTER DATA BASE DRAWING		APPROVED		B	DWG NO. 23PN005.5
				REV A	SCALE: FULL SHEET 1 OF 1

OUTLINE, GEAR HEAD, PN23, 1 STAGE