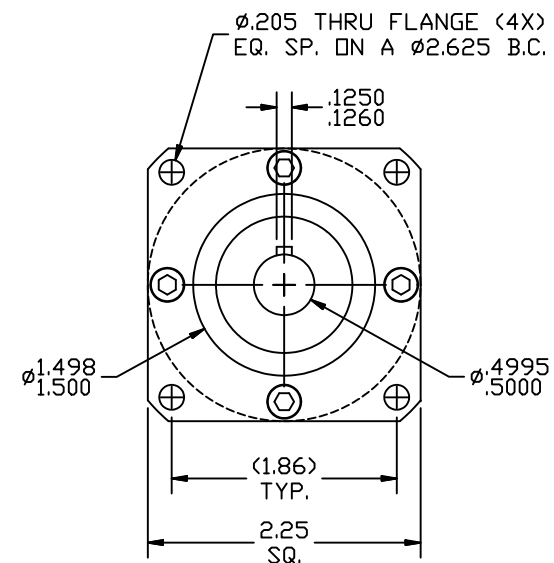
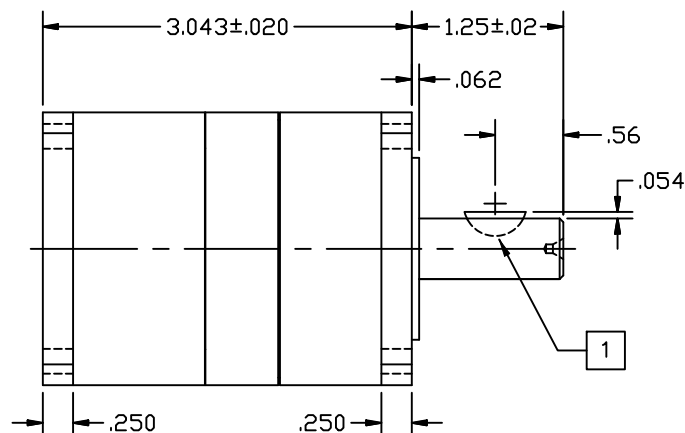
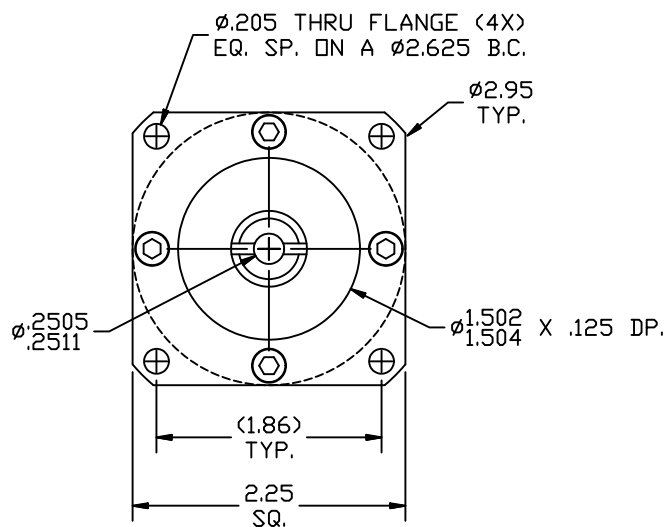


REVISIONS			
REV	DESCRIPTION	DATE	APPROVED
A	INITIAL RELEASE ECO 6709	2/22/13	J Kordik



NOTES: UNLESS OTHERWISE SPECIFIED

- 1 #404 WOODRUFF KEY.
2. 23PN005.5 RATIO- 5.5:1
3. FOR TECHNICAL DETAILS, CONTACT APPLIED MOTION PRODUCTS.

TOLERANCES	THIRD ANGLE PROJECTION	APPLIED MOTION PRODUCTS, INC.	
DECIMALS: [MM] INCH X.XXX = $\pm .005$ X.XX = $\pm [0.13] .010$ X.X = $\pm [0.25] .020$ ANGLES: MACH. = $\pm 5^\circ$ CHAM. = $\pm 5^\circ$	 APPROVALS DATE DRAWN R. JONEZ 2/22/13 CHECKED	 <b>OUTLINE, GEAR HEAD,            PN23, 1 STAGE</b>	
COMPUTER DATA BASE DRAWING	APPROVED	B	DWG NO. 23PN005.5 REV A
		SCALE: FULL	SHEET 1 OF 1