

J-Type Connectors

The Cinch Advantage

Cinch J-Type connectors are used in Europe, mainly in industrial applications where heavy impact forces are expected. The J-Type connectors incorporate a resilient 12 finger contact. The 12 finger socket contact engages with each flat plug pin to provide low contact resistance, high current carrying capacity and minimum insertion and withdrawal forces. These special features help to provide a thoroughly reliable connector, enhanced by MK. 2 shells moulded in grey high impact thermoplastic for appearance and durability. No. 4 thread cutting screws with Pozidriv heads are provided loose for assembly of plugs/sockets into MK. 2 shells. For uniformity Pozidriv headed screws are now supplied for cable clamp adjustments.

Features

- 12 finger socket resilient contacts
- MK. 2 shells moulded in high impact thermoplastic
- 4, 8, 12, and 20 connector sizes
- Robust connector series

Materials & Finishes

| | |
|-----------------|---|
| Mouldings | High impact thermoplastic - grey |
| Plug blades | Brass - tin plated |
| Socket contacts | Copper alloy - tin plated |
| Shells | High impact thermoplastic colour - grey |

Technical Data

| | |
|-----------------------|--|
| Number of contacts | 4, 8, 12, 20 |
| Working voltage | 900 volts - DC or AC peak |
| Current rating | 5 Amps |
| Voltage proof | 3k volts between contacts and 2.8 k volts between contacts and frame DC or AC peak |
| Contact resistance | 5 milliohms |
| Insulation resistance | 5,000 megohms minimum |
| Temperature range | -40°C to +100°C |
| Mating cycles | 250 |

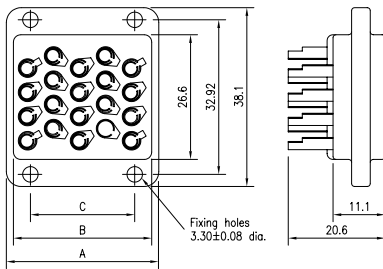
J-Type Connectors



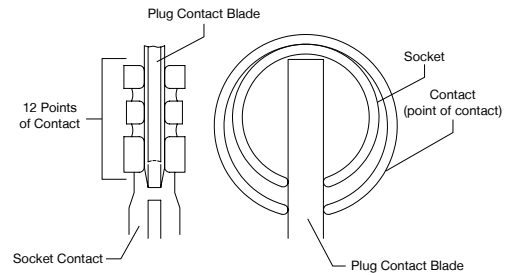
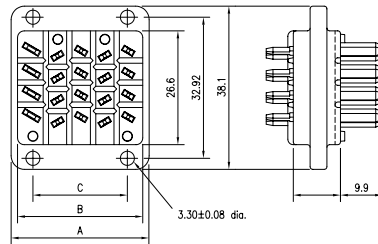
Ordering Information

| Connector size | Plug | Socket | Spring Clip Kit | Shell Accessory Kit | Full Accessory Kit |
|----------------|----------|----------|-----------------|---------------------|--------------------|
| 4 | JA 77844 | JA 77845 | JA 77883 | JA83383 | JA83383FK |
| 8 | JA 77846 | JA 77847 | JA 77884 | JA83384 | JA83384FK |
| 12 | JA 77848 | JA 77849 | JA 77885 | JA83385 | JA83385FK |
| 20 | JA 77850 | JA 77851 | JA 77886 | JA83386 | JA83386FK |

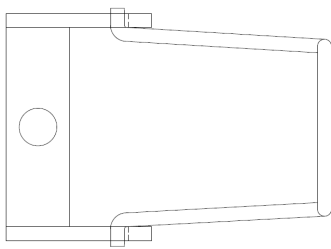
- * Plugs, sockets and shells kits / accessories must be ordered separately.
- ** Contacts are numbered on the termination side of both plugs and sockets
- *** Full Accessory Kit includes Spring Clip Kit and Shell Accessory Kit items



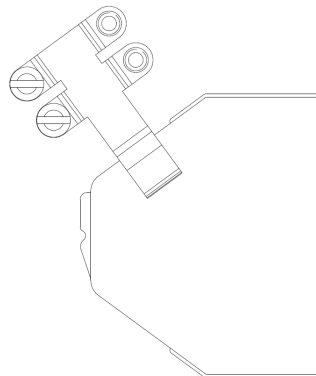
*All dimensions are in millimeters



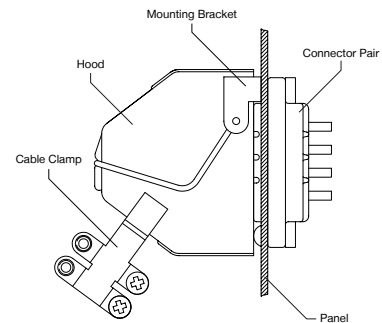
Detailed view of 12 point contacts



Spring Clip Kit



Shell Accessory Kit



Full Accessory Kit

| Connector size | Plug and socket dimensions | | | | | | | | Shell dimensions | | | | | | | |
|----------------|----------------------------|--------|------|--------|-----------------------|--------|------|--------|------------------|--------|------|--------|------|--------|---------|--------|
| | A | | B | | C | | D | | E | | F | | G | | H (min) | |
| | mm | inches | mm | inches | mm | inches | mm | inches | mm | inches | mm | inches | mm | inches | mm | inches |
| 4 | 10.3 | 0.40 | 7.3 | 0.28 | 2 mounting holes only | | 17.9 | 0.70 | 45.7 | 1.79 | 56.4 | 2.22 | 35.7 | 1.40 | 8.5 | 0.33 |
| 8 | 15.8 | 0.62 | 12.8 | 0.50 | 2 mounting holes only | | 23.4 | 0.92 | 46.8 | 1.84 | 57.2 | 2.25 | 35.7 | 1.40 | 10.3 | 0.40 |
| 12 | 21.4 | 0.84 | 18.4 | 0.72 | 12.7 | 0.5 | 29.4 | 1.15 | 46.8 | 1.84 | 57.2 | 2.25 | 35.7 | 1.40 | 11.8 | 0.46 |
| 20 | 32.5 | 1.27 | 29.5 | 1.16 | 22.22 | 0.87 | 40.0 | 1.57 | 48.0 | 1.88 | 58.3 | 2.29 | 35.7 | 1.40 | 13.9 | 0.54 |

* The shell dimensions tabled above are approximate and intended as a guide only.



Europe, Middle East & Africa
 +44 (0) 1245 342060
 cinchconnectivity@eu.cinch.com

belfuse.com/cinch