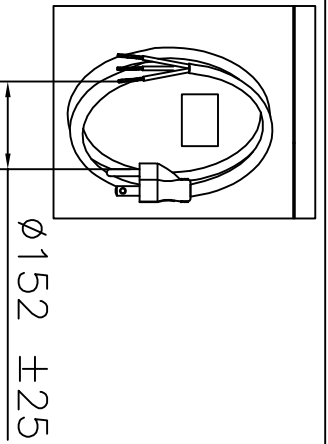


VOLEX RESERVES THE RIGHT TO ALTER NON-CRITICAL DIMENSIONS WITHOUT NOTICE.

PACKAGING: COILED AND BAGGED



- NOTES:
- 1) CORDAGE: 14/3 SJD, 90°C, BLACK
 - 2) APPROVALS:
 - 3) RATING: 15 AMP/125 VOLTS
 - 4) PACKAGING: 20 BAGGED CORDS PER CARTON
 - 5) ALL DIMENSIONS IN MILLIMETERS.

4	CHGD FROM SJ TO SJD	04/14/10
3	REMOVED 60C RATING	03/28/11
2	REVISED AND REDRAWN; CARTON QTY CHANGE	10/30/07
1	C.U.D - NEW RELEASE	9/24/07
REV	DESCRIPTION	DATE

Indianapolis, IN
 Conover, N.C.
 Freemont, CA
 Aguascalientes, MX
 Tijuana, Mexico
 Hermosillo, MX
 Clinton, AR
 Kanata, Canada

Proprietary Notice:
This document is the property of Volex Incorporated. The information contained herein is not to be disclosed to anyone without the express written consent of Volex Inc.

MATERIAL:
PLUG: PVC, BLACK
JACKET: RUBBER, BLACK

FINISH:
JACKET: SMOOTH

SCALE: NOT TO SCALE
ECD: N/A

TOLERANCE UNLESS OTHERWISE SPECIFIED
 .XXX ± .005
 .XX ± .03
 FRACT. ± 1/32
 ANGULAR ± 1/2°

ITEM DESCRIPTION		
CORDSET - NORTH AMERICAN POWER SUPPLY CORD (15')		
APPROVED	DRAWN BY	DATE:
STC	STC	9/24/07
PART NO. 17635 10 S2		