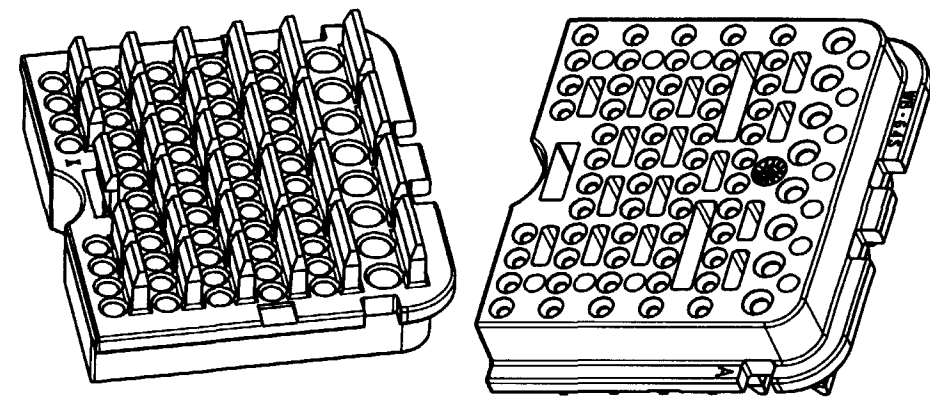
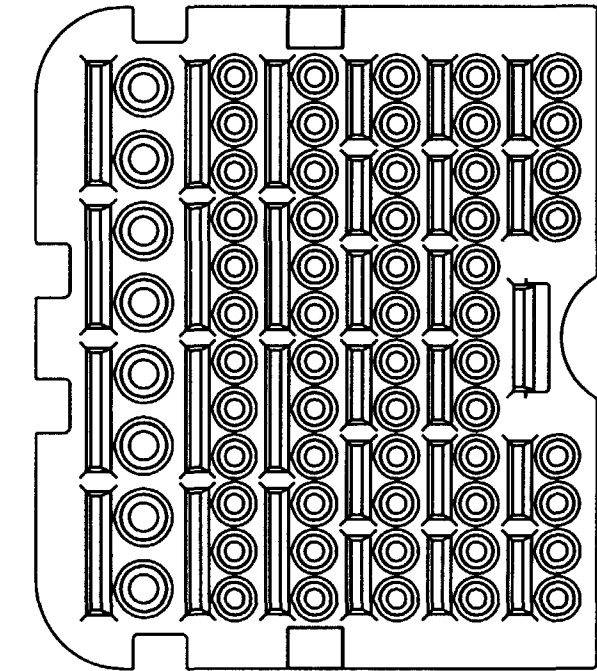
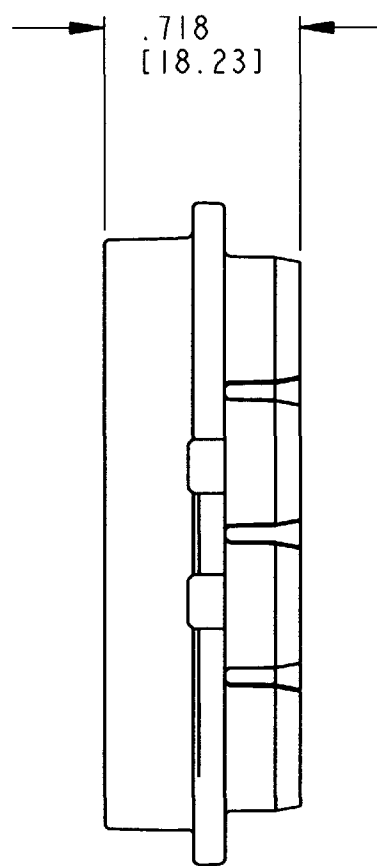
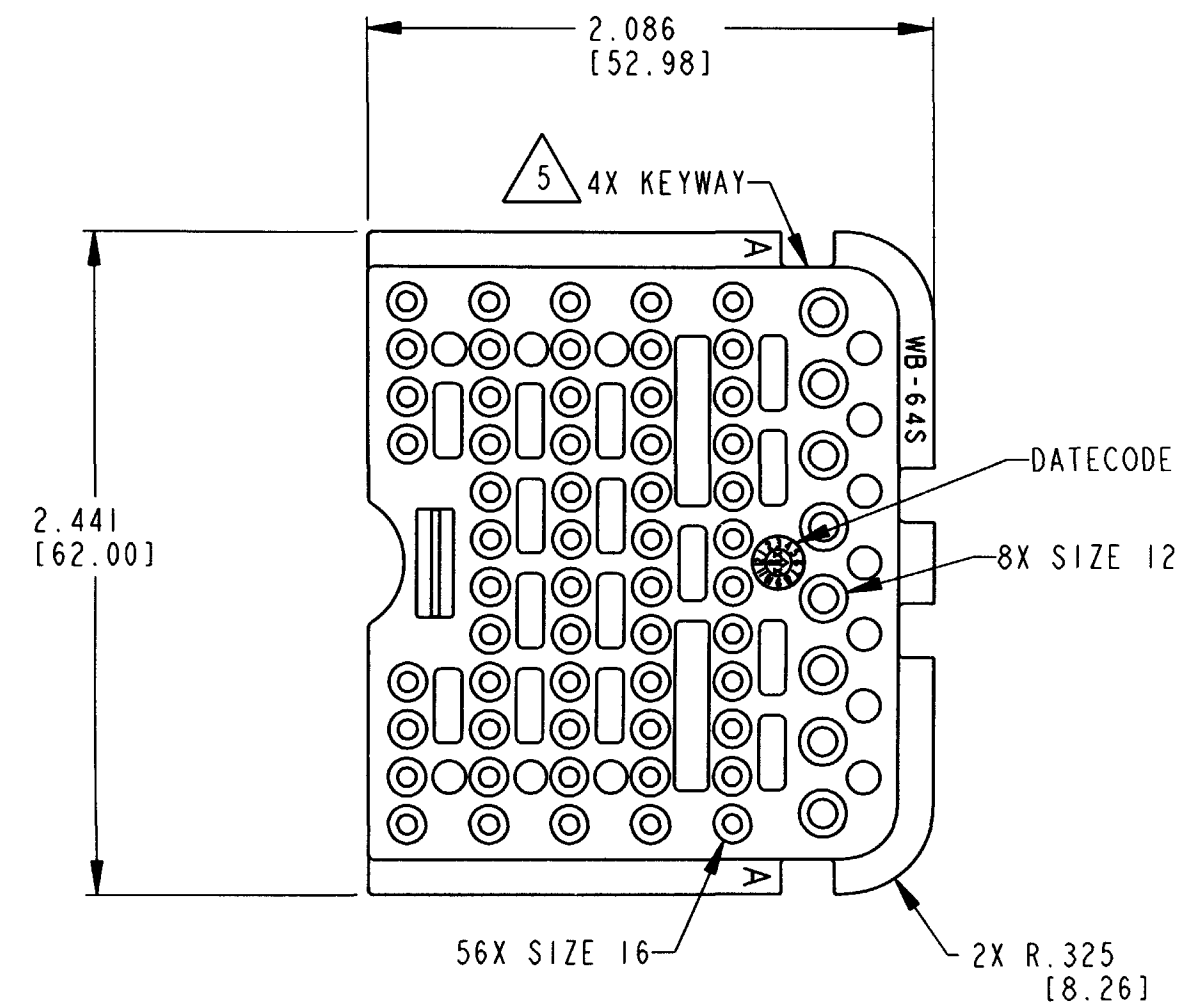


REV  
A **WB-64S\***

REVISIONS			
SYM	DESCRIPTION	DATE	APPROVED
NC	NEW RELEASE PER E.O. P20345	10/15/09	R.D.R.
A	REVISED PER E.O. P20365	12-15-09	RWR



PART NUMBER	COLOR
WB-64PA	GREY
WB-64PB	BLACK
WB-64PC	GREEN
WB-64PD	BROWN

5. SEE SHEET 2 FOR OTHER KEY ARRANGMENTS.
4. MATERIAL: PLASTIC
3. THIS WEDGE LOCK IS USED IN DRB16-128S\*(N)E-\*\*\*\* PLUG (\*= A,B,C,D KEYS; \*\*\*\* = ALL MODIFICATIONS). CONSULT FACTORY FOR MODS.
2. DIMENSION TOLERANCE: ±.025 [.64].
1. DIMENSIONS ARE IN INCHES [mm].
- NOTES: UNLESS OTHERWISE SPECIFIED.

SIGNATURE & DATE	
DR	P. CARNAHAN 10/8/09
CHK	D. Meyer 12/15/09
PE	Paula Brown 12/3/09
APPD	R. Roe 12-15-09
SCALE	NONE
WT	

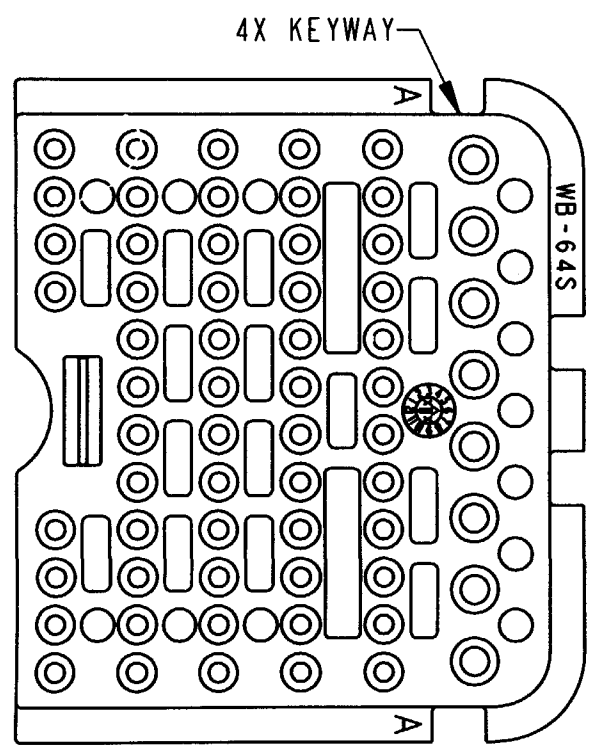
WEDGE LOCK, PLUG  
"A THRU D" KEYS  
64 CONTACTS  
DRB SERIES

ENVELOPE

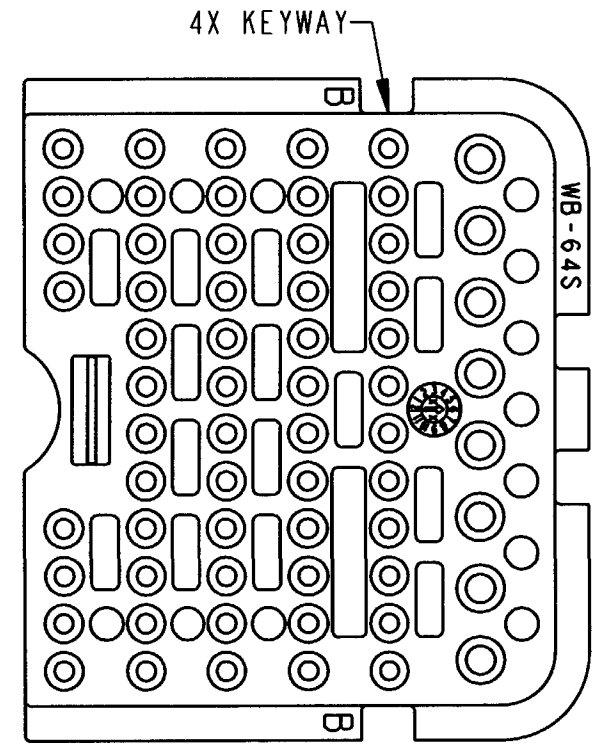
EP	EP 202	MATL. CODE
3850 INDUSTRIAL AVE. HEMET, CA 92545		
<b>B</b>		<b>WB-64S*</b>
DWG SIZE	CODE 11139	SHEET 1 OF 2

REV  
A **WB-64S \***

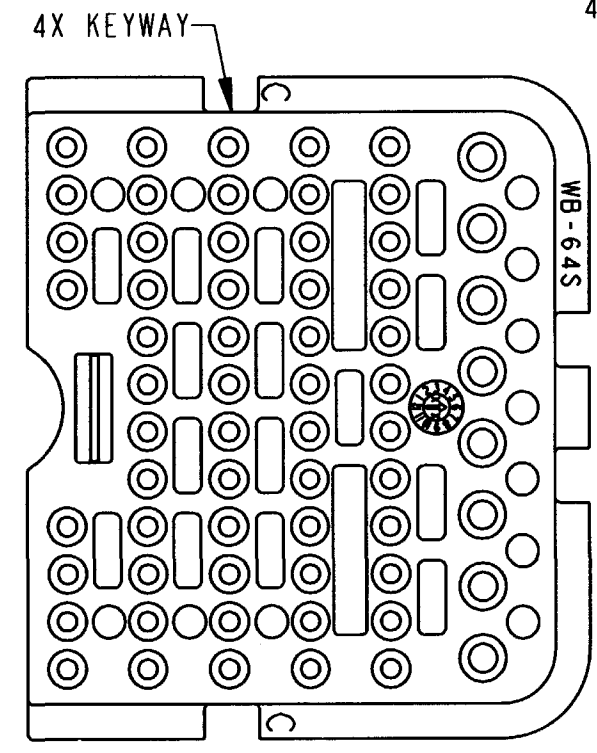
REVISIONS			
SYM	DESCRIPTION	DATE	APPROVED
NC	NEW RELEASE PER E.O. P20345	10/15/09	R.D.R.
A	REVISED PER E.O. P20365	12-15-09	RDR



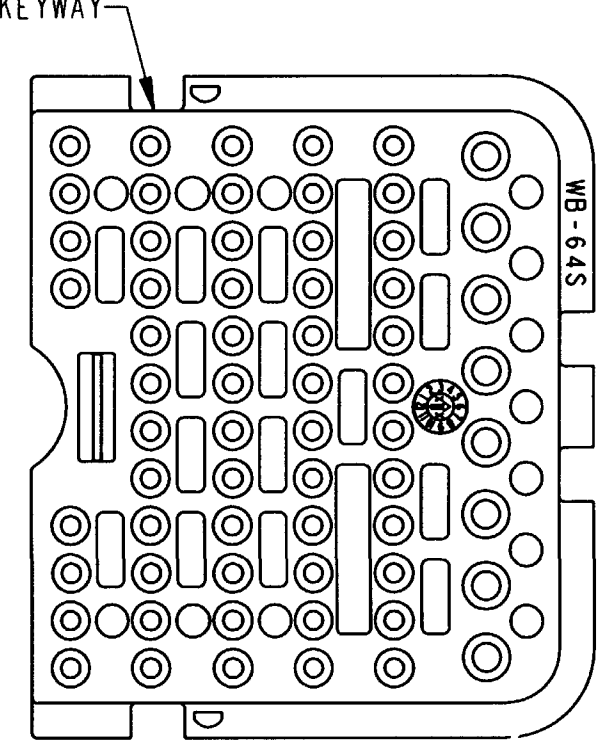
**WB-64SA**  
KEY: A



**WB-64SB**  
KEY: B



**WB-64SC**  
KEY: C




**WB-64SD**  
KEY: D

NOTES: SEE SHEET 1.

SIGNATURE & DATE	
DR	P. CARNAHAN 10/18/09
CHK	<i>[Signature]</i> 12/15/09
PE	<i>[Signature]</i> 12/15/09
APPD	<i>[Signature]</i> 12-15-09
SCALE	NONE
WT	

WEDGE LOCK, PLUG  
"A THRU D" KEYS  
64 CONTACTS  
DRB SERIES

ENVELOPE

EP	EP 202	NATL. CODE
 3850 INDUSTRIAL AVE. HEMET, CA 92545		
<b>B</b>	<b>WB-64S *</b>	
DWG SIZE	CODE 11139	SHEET 2 OF 2