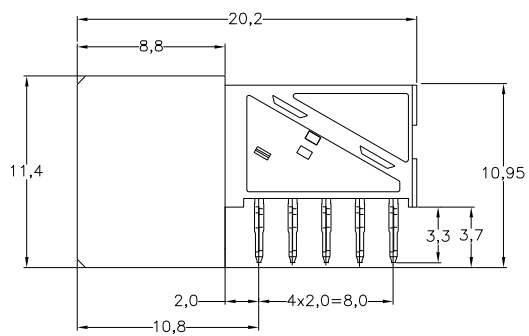
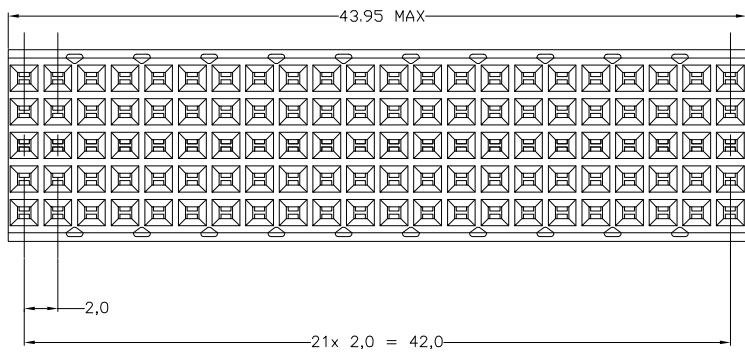
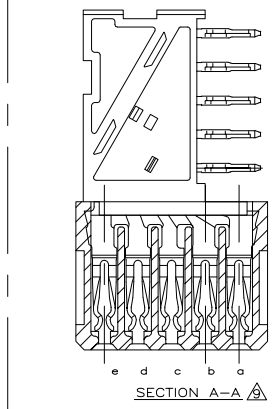
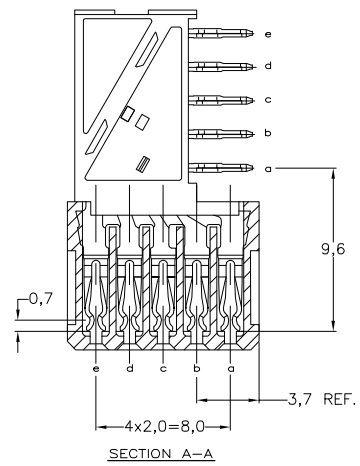
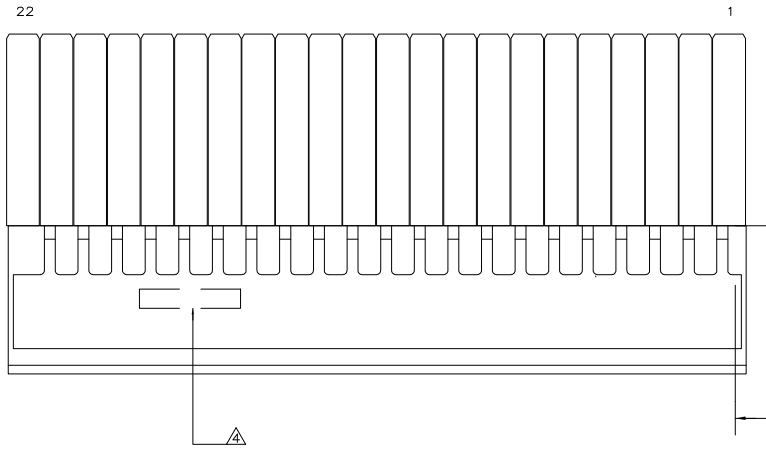
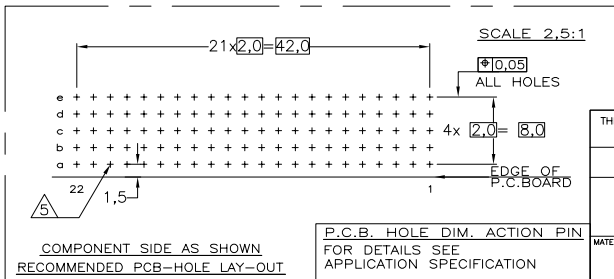


THIS DRAWING IS UNPUBLISHED. RELEASED FOR PUBLICATION. ALL RIGHTS RESERVED.

LOC	DIST	REVISIONS					
ES	00	#	LR	DESCRIPTION	DATE	DWN	APVD
		A		INITIAL RELEASE	14AUG2012	SY	AC



- NOTES:
- ⚠ MATERIAL CONTACT; PHOSPHORBRONZE
MATERIAL HOUSING; GLASSFILLED POLYESTER (GRAY)
UL-RATING 94V0.
 - ⚠ GENERAL PLATING SPECIFICATION: UNDERPLATING (ENTIRE CONTACT):
1,27µm NICKEL MIN. AND ACTION PIN: 0,5µm TIN-LEAD MIN.
FOR PLATING OF MATING SURFACES SEE APPLICABLE SPECIFICATION
REFERENCE FOR EACH DASH NUMBER.
 - ⚠ CONFORMS TO ALL TESTING ACCORDING IEC 61076-4-101
PERFORMANCE LEVEL 1.
 - ⚠ CONNECTOR PRINTED WITH PARTNUMBER AND DATECODE
 - ⚠ PLATED-THROUGH HOLES AT 2x2mm SQUARE GRID. 110 HOLES
 - 6 FITS WITH INTEGRATED GROUND RETURN UPPERSHIELD
BASIC P.N. 352151
 - ⚠ CONNECTOR TESTED AND QUALIFIED AGAINST TELCORDIA
GR-1217-CORE QUALITY LEVEL III, CENTRAL OFFICE APPLICATIONS.
1,27µm MIN GOLD PLATING AT MATING SURFACES, NO LUBRICANT.
 - ⚠ CONNECTOR ASSEMBLED WITH ALTERNATE FEMALE CONTACTS.



THIS DRAWING IS A CONTROLLED DOCUMENT.		FINISH		MATERIAL		PARTNUMBER	
DWN SANDERS YAN 28MAY2012		-		-		2170350-5	
CHK -		APVD ALEX CAI 28MAY2012		NAME		TE Connectivity	
DIMENSIONS: mm		TOLEANCES UNLESS OTHERWISE SPECIFIED:		PRODUCT SPEC		Z-PACK 2MM HM	
0 PLC ± 0,2		1 PLC ± 0,2		108-19082		110 POS. FEMALE DAUGHTER CARD CONN.	
2 PLC ± 0,2		3 PLC ± 0,2		APPLICATION SPEC		(22 COLUMNS)	
3 PLC ± 0,2		4 PLC ±		114-19029		SIZE CAGE CODE DRAWING NO	
4 PLC ±		ANGLES ±		-		RESTRICTED TO	
MATERIAL		FINISH		WEIGHT		SCALE	
-		-		-		A2 00779	
CUSTOMER DRAWING		SCALE NTS		SHEET 1 of 1		REV A	