



Quality Products. Service Excellence.

Low Voltage PCB Mount - Low Profile 162-164 Series

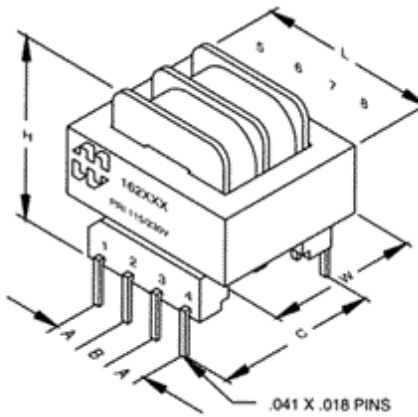
Features



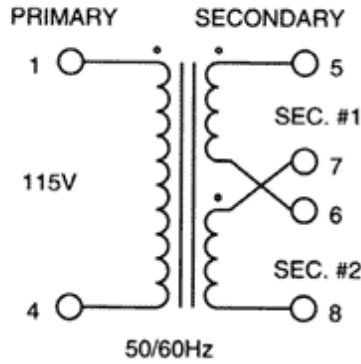
- 20 output voltages to choose from (5 - 120VAC R.M.S.)
- Six VA size models available from - 1.1 to 36VA
- Both series operate on 50/60 Hz current
- Low profile, split bobbin design.
- Dual winding secondaries, non-concentrically wound
- Units are designed so that all windings must be used
- Low primary to secondary coupling - no electrostatic shield required.
- Choice of economical single primary 115V (164 series) or universal dual primary 115/230V (162 series) - either model 50/60 Hz operation.
- High insulation - Hipot of 2,500V RMS.
- Class B insulation - 130 degrees C.
- No mounting hardware required on 1.1 and 2.4 VA sizes, two hole mounting on 6, 12 and 20VA sizes, four hole mounting on 36VA size (mounting screws not provided). P.C. board mount with industry standard pin spacing.
- c UL us recognized



**Single Primary
164 Series**



**Dual Primary
162 Series**



| Part No Single Primary 115V | Part No Dual Primary 115/230V | Size VA | Series | Secondary (RMS) Parallel |
|-----------------------------------|-------------------------------------|------------|--------------------|-----------------------------|
| 164D10 | 162D10 | 1.1 | 10V C.T. @ .11A | 5V @ .22A |
| 164E10 | 162E10 | 2.4 | 10V C.T. @ .25A | 5V @ .5A |
| 164F10 | 162F10 | 6 | 10V C.T. @ .6A | 5V @ 1.2A |
| 164G10 | 162G10 | 12 | 10V C.T. @ 1.2A | 5V @ 2.4A |
| 164H10 | 162H10 | 20 | 10V C.T. @ 2A | 5V @ 4.0A |
| 164J10 | 162J10 | 36 | 10V C.T. @ 3.6A | 5V @ 7.2A |
| 164D12 | 162D12 | 1.1 | 12.6V C.T. @ .09A | 6.3V @ .18A |
| 164E12 | 162E12 | 2.4 | 12.6V C.T. @ .2A | 6.3V @ .4A |
| 164F12 | 162F12 | 6 | 12.6V C.T. @ .5A | 6.3V @ 1.0A |
| 164G12 | 162G12 | 12 | 12.6V C.T. @ 1.0A | 6.3V @ 2.0A |
| 164H12 | 162H12 | 20 | 12.6V C.T. @ 1.6A | 6.3V @ 3.2A |
| 164J12 | 162J12 | 36 | 12.6V C.T. @ 2.85A | 6.3V @ 5.7A |
| 164D16 | 162D16 | 1.1 | 16V C.T. @ .07A | 8V @ .14A |
| 164E16 | 162E16 | 2.4 | 16V C.T. @ .15A | 8V @ .3A |
| 164F16 | 162F16 | 6 | 16V C.T. @ .4A | 8V @ .8A |
| 164G16 | 162G16 | 12 | 16V C.T. @ .8A | 8V @ 1.6A |
| 164H16 | 162H16 | 20 | 16V C.T. @ 1.25A | 8V @ 2.5A |
| 164J16 | 162J16 | 36 | 16V C.T. @ 2.25A | 8V @ 4.5A |
| 164D20 | 162D20 | 1.1 | 20V C.T. @ .055A | 10V @ .11A |
| 164E20 | 162E20 | 2.4 | 20V C.T. @ .12A | 10V @ .24A |
| 164F20 | 162F20 | 6 | 20V C.T. @ .3A | 10V @ .6A |
| 164G20 | 162G20 | 12 | 20V C.T. @ .6A | 10V @ 1.2A |
| 164H20 | 162H20 | 20 | 20V C.T. @ 1A | 10V @ 2.0A |
| 164J20 | 162J20 | 36 | 20V C.T. @ 1.8A | 10V @ 3.6A |
| 164D24 | 162D24 | 1.1 | 24V C.T. @ .045A | 12V @ .09A |
| 164E24 | 162E24 | 2.4 | 24V C.T. @ .1A | 12V @ .2A |

| Part No Single Primary 115V | Part No Dual Primary 115/230V | Size VA | Series | Secondary (RMS) Parallel |
|-----------------------------------|-------------------------------------|------------|------------------|-----------------------------|
| 164F24 | 162F24 | 6 | 24V C.T. @ .25A | 12V @ .5A |
| 164G24 | 162G24 | 12 | 24V C.T. @ .5A | 12V @ 1.0A |
| 164H24 | 162H24 | 20 | 24V C.T. @ .8A | 12V @ 1.6A |
| 164J24 | 162J24 | 36 | 24V C.T. @ 1.5A | 12V @ 3.0A |
| 164D28 | 162D28 | 1.1 | 28V C.T. @ .04A | 14V @ .08A |
| 164E28 | 162E28 | 2.4 | 28V C.T. @ .085A | 14V @ .17A |
| 164F28 | 162F28 | 6 | 28V C.T. @ .2A | 14V @ .4A |
| 164G28 | 162G28 | 12 | 28V C.T. @ .42A | 14V @ .84A |
| 164H28 | 162H28 | 20 | 28V C.T. @ .7A | 14V @ 1.4A |
| 164J28 | 162J28 | 36 | 28V C.T. @ 1.3A | 14V @ 2.6A |
| 164D36 | 162D36 | 1.1 | 36V C.T. @ .03A | 18V @ .06A |
| 164E36 | 162E36 | 2.4 | 36V C.T. @ .065A | 18V @ .13A |
| 164F36 | 162F36 | 6 | 36V C.T. @ .17A | 18V @ .34A |
| 164G36 | 162G36 | 12 | 36V C.T. @ .35A | 18V @ .7A |
| 164H36 | 162H36 | 20 | 36V C.T. @ .55A | 18V @ 1.1A |
| 164J36 | 162J36 | 36 | 36V C.T. @ 1A | 18V @ 2.0A |
| 164D48 | 162D48 | 1.1 | 48V C.T. @ .023A | 24V @ .046A |
| 164E48 | 162E48 | 2.4 | 48V C.T. @ .05A | 24V @ .1A |
| 164F48 | 162F48 | 6 | 48V C.T. @ .125A | 24V @ .25A |
| 164G48 | 162G48 | 12 | 48V C.T. @ .25A | 24V @ .5A |
| 164H48 | 162H48 | 20 | 48V C.T. @ .4A | 24V @ .8A |
| 164J48 | 162J48 | 36 | 48V C.T. @ .75A | 24V @ 1.5A |
| 164D56 | 162D56 | 1.1 | 56V C.T. @ .02A | 28V @ .04A |
| 164E56 | 162E56 | 2.4 | 56V C.T. @ .045A | 28V @ .09A |
| 164F56 | 162F56 | 6 | 56V C.T. @ .11A | 28V @ .22A |
| 164G56 | 162G56 | 12 | 56V C.T. @ .22A | 28V @ .44A |
| 164H56 | 162H56 | 20 | 56V C.T. @ .35A | 28V @ .7A |
| 164J56 | 162J56 | 36 | 56V C.T. @ .65A | 28V @ 1.3A |
| 164D120 | 162D120 | 1.1 | 120V C.T. @ .01A | 60V @ .02A |
| 164E120 | 162E120 | 2.4 | 120V C.T. @ .02A | 60V @ .04A |
| 164F120 | 162F120 | 6 | 120V C.T. @ .05A | 60V @ .1A |
| 164G120 | 162G120 | 12 | 120V C.T. @ .1A | 60V @ .2A |
| 164H120 | 162H120 | 20 | 120V C.T. @ .16A | 60V @ .32A |
| 164J120 | 162J120 | 36 | 120V C.T. @ .3A | 60V @ .6A |

Mechanical & Schematic Data

| (VA) Size | Part Number Letter | Dimensions | | | | | | | | | Mounting Screw | Weight lbs. |
|--------------|-----------------------|------------|------|-------|------|------|------|------|------|------|-------------------|----------------|
| | | L | W | H | A | B | C | M | N | P | | |
| 1.1 | D | 1.38 | 1.13 | 15/16 | 0.25 | 0.25 | 1.2 | - | - | - | - | 0.17 |
| 2.4 | E | 1.38 | 1.13 | 1.19 | 0.25 | 0.25 | 1.2 | - | - | - | - | 0.25 |
| 6 | F | 1.63 | 1.31 | 1.31 | 0.25 | 0.35 | 1.28 | 1.06 | - | - | #4 | 0.44 |
| 12 | G | 1.88 | 1.56 | 1.50 | 0.30 | 0.40 | 1.41 | 1.25 | - | - | #4 | 0.7 |
| 20 | H | 2.25 | 1.88 | 1.44 | 0.30 | 0.40 | 1.6 | 1.5 | - | - | #4 | 0.8 |
| 36 | J | 2.63 | 2.19 | 1.56 | 0.40 | 0.40 | 1.85 | - | 1.75 | 2.19 | #6 | 1.1 |

Data subject to change without notice

© 2020. Hammond Manufacturing Ltd. All rights reserved.

