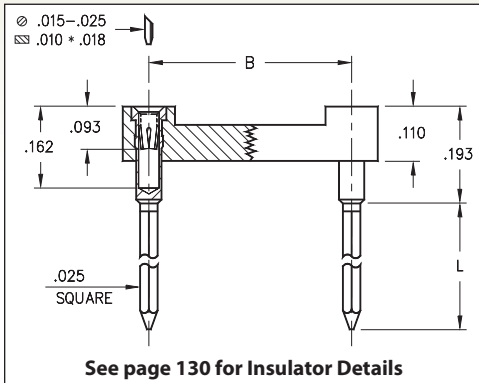


# DUAL-IN-LINE SOCKETS

## SERIES 121, 122, 123, 124 • 1 - 4 LEVEL WRAPPOST • OPEN FRAME



- Solderless wrappost terminals are firmly locked in the insulator body to withstand torque of a wrapping tool
- Hi-Rel, 4-finger BeCu #30 contact is rated at 3 amps. See page 253 for details
- Series 121, 122, 123 and 124 use MM #0040, #0086, #0088 and #0089 pins. See page 198 for details
- Insulators are high temperature thermoplastic, suitable for all soldering operations
- For Electrical, Mechanical and Environmental Data, see page 264 for details



RoHS - 2  
2011/65/EU

Total number of pins				Quantity per tube	ORDERING INFORMATION				
	A	B	C		L = .260 (1 Level Wrappost)	L = .370 (2 Level Wrappost)	L = .510 (3 Level Wrappost)	L = .630 (4 Level Wrappost)	
10	0.5	0.2	0.3	40	121-XX-210-41-001000	122-XX-210-41-001000	123-XX-210-41-001000	124-XX-210-41-002000 <i>43 or 93 Plating Code ONLY</i>	
4	0.2	0.3	0.4	102	121-XX-304-41-001000	122-XX-304-41-001000	123-XX-304-41-001000	124-XX-304-41-002000	
6	0.3	0.3	0.4	67	121-XX-306-41-001000	122-XX-306-41-001000	123-XX-306-41-001000	124-XX-306-41-002000	
8	0.4	0.3	0.4	50	121-XX-308-41-001000	122-XX-308-41-001000	123-XX-308-41-001000	124-XX-308-41-002000	
10	0.5	0.3	0.4	40	121-XX-310-41-001000	122-XX-310-41-001000	123-XX-310-41-001000	124-XX-310-41-002000	
14	0.7	0.3	0.4	28	121-XX-314-41-001000	122-XX-314-41-001000	123-XX-314-41-001000	124-XX-314-41-002000	
16	0.8	0.3	0.4	25	121-XX-316-41-001000	122-XX-316-41-001000	123-XX-316-41-001000	124-XX-316-41-002000	
18	0.9	0.3	0.4	22	121-XX-318-41-001000	122-XX-318-41-001000	123-XX-318-41-001000	124-XX-318-41-002000	
20	1.0	0.3	0.4	20	121-XX-320-41-001000	122-XX-320-41-001000	123-XX-320-41-001000	124-XX-320-41-002000	
22	1.1	0.3	0.4	18	121-XX-322-41-001000	122-XX-322-41-001000	123-XX-322-41-001000	124-XX-322-41-002000	
24	1.2	0.3	0.4	16	121-XX-324-41-001000	122-XX-324-41-001000	123-XX-324-41-001000	124-XX-324-41-002000	
28	1.4	0.3	0.4	14	121-XX-328-41-001000	122-XX-328-41-001000	123-XX-328-41-001000	124-XX-328-41-002000 <i>43 or 93 Plating Code ONLY</i>	
20	1.0	0.4	0.5	20	121-XX-420-41-001000	122-XX-420-41-001000	123-XX-420-41-001000	124-XX-420-41-002000	
22	1.1	0.4	0.5	18	121-XX-422-41-001000	122-XX-422-41-001000	123-XX-422-41-001000	124-XX-422-41-002000	
24	1.2	0.4	0.5	16	121-XX-424-41-001000	122-XX-424-41-001000	123-XX-424-41-001000	124-XX-424-41-002000	
28	1.4	0.4	0.5	14	121-XX-428-41-001000	122-XX-428-41-001000	123-XX-428-41-001000	124-XX-428-41-002000	
32	1.6	0.4	0.5	12	121-XX-432-41-001000	122-XX-432-41-001000	123-XX-432-41-001000	124-XX-432-41-002000 <i>43 or 93 Plating Code ONLY</i>	
24	1.2	0.6	0.7	16	121-XX-624-41-001000	122-XX-624-41-001000	123-XX-624-41-001000	124-XX-624-41-002000	
28	1.4	0.6	0.7	14	121-XX-628-41-001000	122-XX-628-41-001000	123-XX-628-41-001000	124-XX-628-41-002000	
32	1.6	0.6	0.7	12	121-XX-632-41-001000	122-XX-632-41-001000	123-XX-632-41-001000	124-XX-632-41-002000	
36	1.8	0.6	0.7	11	121-XX-636-41-001000	122-XX-636-41-001000	123-XX-636-41-001000	124-XX-636-41-002000	
40	2.0	0.6	0.7	10	121-XX-640-41-001000	122-XX-640-41-001000	123-XX-640-41-001000	124-XX-640-41-002000	
42	2.1	0.6	0.7	9	121-XX-642-41-001000	122-XX-642-41-001000	123-XX-642-41-001000	124-XX-642-41-002000	
48	2.4	0.6	0.7	8	121-XX-648-41-001000	122-XX-648-41-001000	123-XX-648-41-001000	124-XX-648-41-002000	
50	2.5	0.6	0.7	8	121-XX-650-41-001000	122-XX-650-41-001000	123-XX-650-41-001000	124-XX-650-41-002000	
52	2.6	0.6	0.7	7	121-XX-652-41-001000	122-XX-652-41-001000	123-XX-652-41-001000	124-XX-652-41-002000 <i>43 or 93 Plating Code ONLY</i>	
50	2.5	0.9	1.0	8	121-XX-950-41-001000	122-XX-950-41-001000	123-XX-950-41-001000	124-XX-950-41-002000	
52	2.6	0.9	1.0	7	121-XX-952-41-001000	122-XX-952-41-001000	123-XX-952-41-001000	124-XX-952-41-002000	
64	3.2	0.9	1.0	6	121-XX-964-41-001000	122-XX-964-41-001000	123-XX-964-41-001000	124-XX-964-41-002000	
<b>SPECIFY PLATING CODE XX =</b>					13 ◆	91	93	41 ◆	43 ◆
Sleeve (Pin)					10 μ" Au	200 μ" Sn/Pb	200 μ" Sn/Pb	200 μ" Sn	200 μ" Sn
Contact (Clip)					30 μ" Au	10 μ" Au	30 μ" Au	10 μ" Au	30 μ" Au

XX=Plating Code  
See to Left