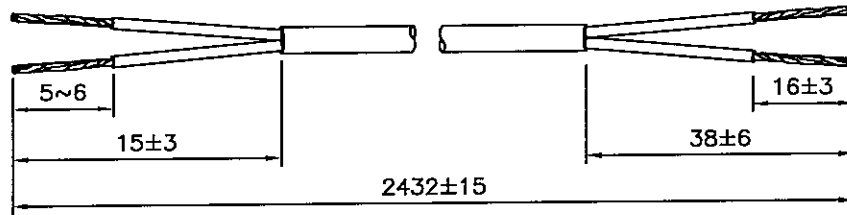
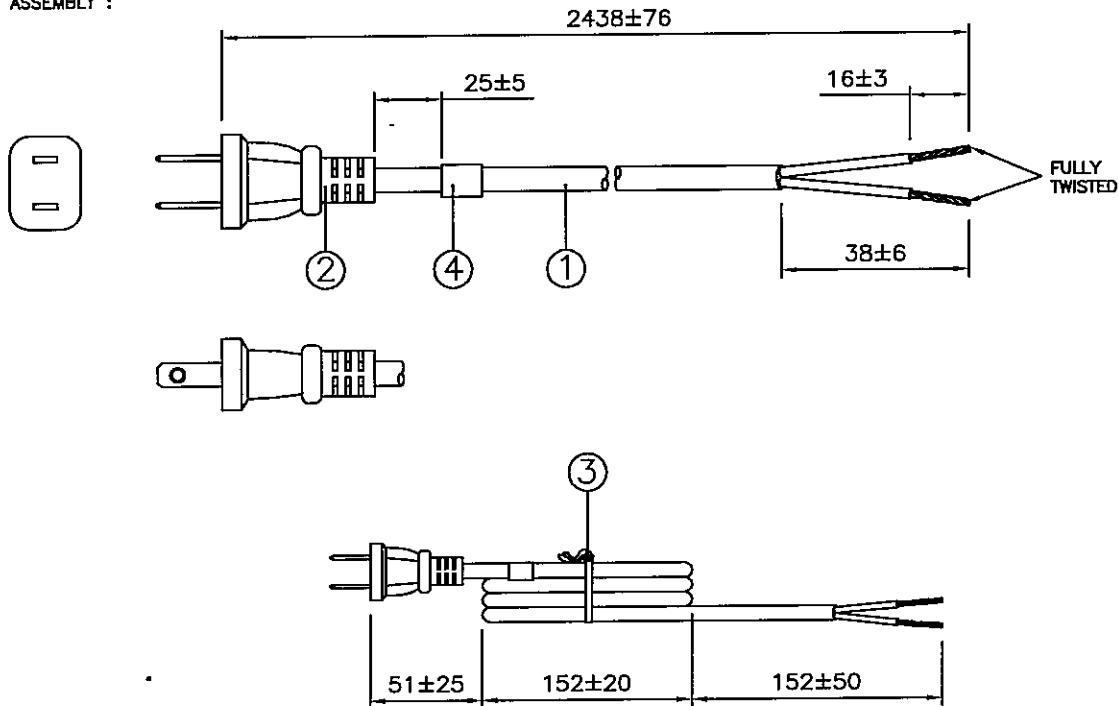


DRAWING NUMBER: 1109604
 REVISION: C

CABLE CUTTING
 CABLE SOURCE :
 1. TA TUN(DONG GUAN).



ASSEMBLY :



Notes :

1. ALL DIMENSIONS IN mm.
2. PLUG MARKING : REFER TO MARKING DRAWING NO. : VP-0104B.
3. PLUG DETAILS : REFER TO PRODUCT DRAWING NO. : P-0040.
4. LABEL DETAILS : REFER TO LABEL DRAWING NO. : VL-0234.
5. THIS PART CAN BE MANUFACTURED AT ANY LOCATION WHICH HAS SAFETY APPROVAL.

REV.	ECR REF. NO.	DESCRIPTION	DATE
B	101236	CHANGE PLUG ITEM NO. FM. 'ME302-R' TO 'ME302-RS'. ADD IN PLUG INSERT PVC ITEM NO. '4100263'.	05/11/10
C	150232	CHANGE PLUG MARKING DWG. NO. FM. 'VP-0104' TO 'VP-0104B'	16/05/15

4	PRINTED LABEL	VL-0234	1
3	10" PE TIE BLK	6310069	1
2	IP30G NL792BS98A BLK (INSERT)	4100263	-
	IP40G NL792B BLK (OVERMOLD)	4100017	-
2	MOLDED PLUG ME302 (13A 125V)	ME302-RS	1
1	SJ 16/2 90°C BW BLK	1920003	2.432M

S/N	DESCRIPTION	ITEM NUMBER	QTY
-----	-------------	-------------	-----

TITLE : NORTH-AMERICAN POWER SUPPLY CORD (CS-LF0001) PAGE : 1/2

CUSTOMER : VIS/VOLEX INC. HG04-191-08

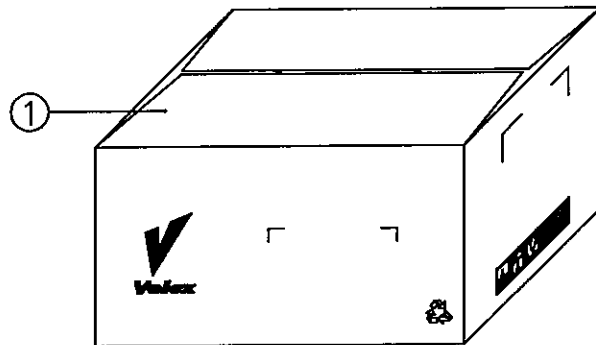
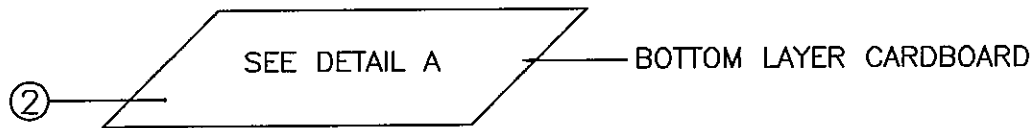
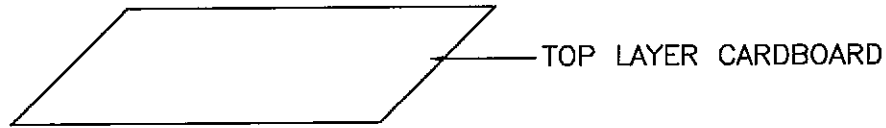
CUSTOMER PART NUMBER : 40328 10 DWG. TYPE

F/G CODE : 40328 10 SPEC NO.: --- OED

SALES : N.A.	QA : N.A.	ENGRG : Feng	CHECKED BY : Lily	DRAWN BY : LILY ZHOU	Volex (Asia) Pte Ltd <small>Confidential property of Volex. Information contained herein shall not be disclosed to others, reproduced or used for any other purposes except as authorized in writing by an authorized official of Volex Asia.</small>
DATE : N.A.	DATE : N.A.	DATE : 19/05/15	DATE : 19/05/15	DATE : 16/05/15	

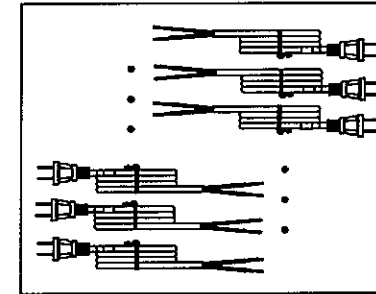
DRAWING NUMBER :

1109604



PACKAGING INSTRUCTION

1. ALL CORDS LAYOUT AS DETAIL.
2. PACKAGING : 100 PCS PER CARTON.



DETAIL A

NOTE :

1.) ALL DIMENSIONS IN mm.

2	CARDBOARD T33 475X370	901190	0.02
1	CTN D/W 490X385X290	901189	0.01
S/N	DESCRIPTION	ITEM NUMBER	QTY
REVISION	C	TITLE : PACKAGING SPEC.	
PAGE	2/2		
SCALE	N.T.S.		
REFERENCE :		Volex (Asia) Pte Ltd	
DESCRIPTION : CARTON BOX			
<small>Confidential property of Volex. Information contained herein shall not be disclosed to others, reproduced or used for any other purposes except as authorized in writing by an authorized official of Volex Asia.</small>			