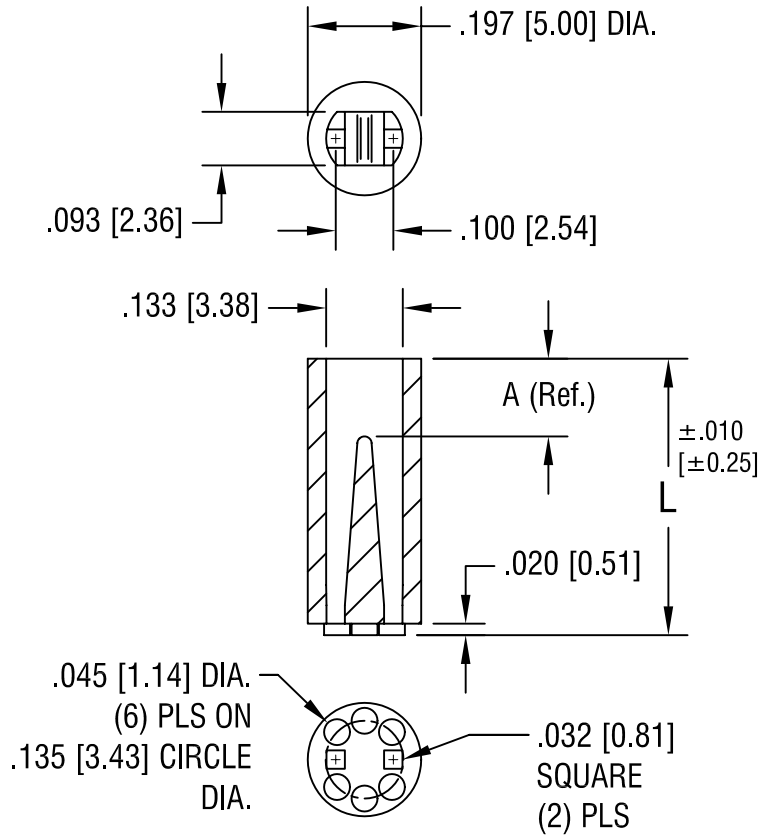


THIS DOCUMENT IS THE PROPERTY OF KEYSTONE ELECTRONICS CORP. AND SHALL NOT BE REPRODUCED, DISTRIBUTED OR USED AS A BASIS FOR MANUFACTURE WITHOUT PRIOR WRITTEN PERMISSION FROM KEYSTONE ELECTRONICS CORP.



PART NO.	'L' DIM.	'A' DIM. REF.
7367	.400 [10.16]	.075 [1.91]
7368	.420 [10.67]	.095 [2.41]
7369	.440 [11.18]	.115 [2.92]
7370	.450 [11.43]	.120 [3.05]
7371	.460 [11.68]	.135 [3.43]
7372	.480 [12.19]	.145 [3.68]
7373	.500 [12.70]	.055 [1.40]
7374	.550 [13.97]	.095 [2.41]
7375	.600 [15.24]	.150 [3.81]
7376	.650 [16.51]	.075 [1.91]
7377	.700 [17.78]	.120 [3.05]
7378	.750 [19.05]	.055 [1.40]
7379	.800 [20.32]	.110 [2.79]
7380	.850 [21.59]	.160 [4.06]
7381	.900 [22.86]	.200 [5.08]
7382	.925 [23.50]	.230 [5.84]

<b>KEYSTONE ELECTRONICS CORP.</b>			
ASTORIA, N.Y. 11105-2017			
PART NAME		BI-LEAD LED SPACER, T-1	
MATERIAL		NYLON 6/6	
FINISH	-	DRN BY	BOONE
		DATE	10.8.96
		APPD	LN
		SCALE	3X
TOLERANCES	INCH [MM]	CODE	DWG NO.
DECIMAL	$\pm .005 [\pm 0.15]$	C/M	<b>7367-7382</b>
ANGULAR	$\pm 1^\circ$		
UNLESS OTHERWISE SPECIFIED			

5.4.99	CHANGE AS PER ECN 99-044	B
3.18.99	CHANGE AS PER ECN 99-027	A
DATE	DESCRIPTION	REV.