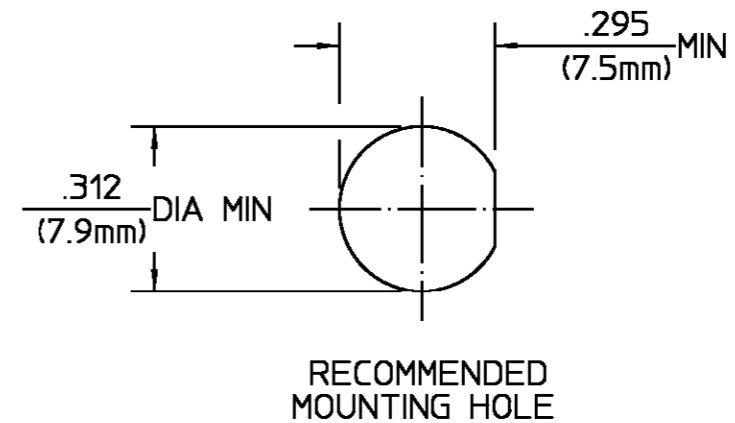
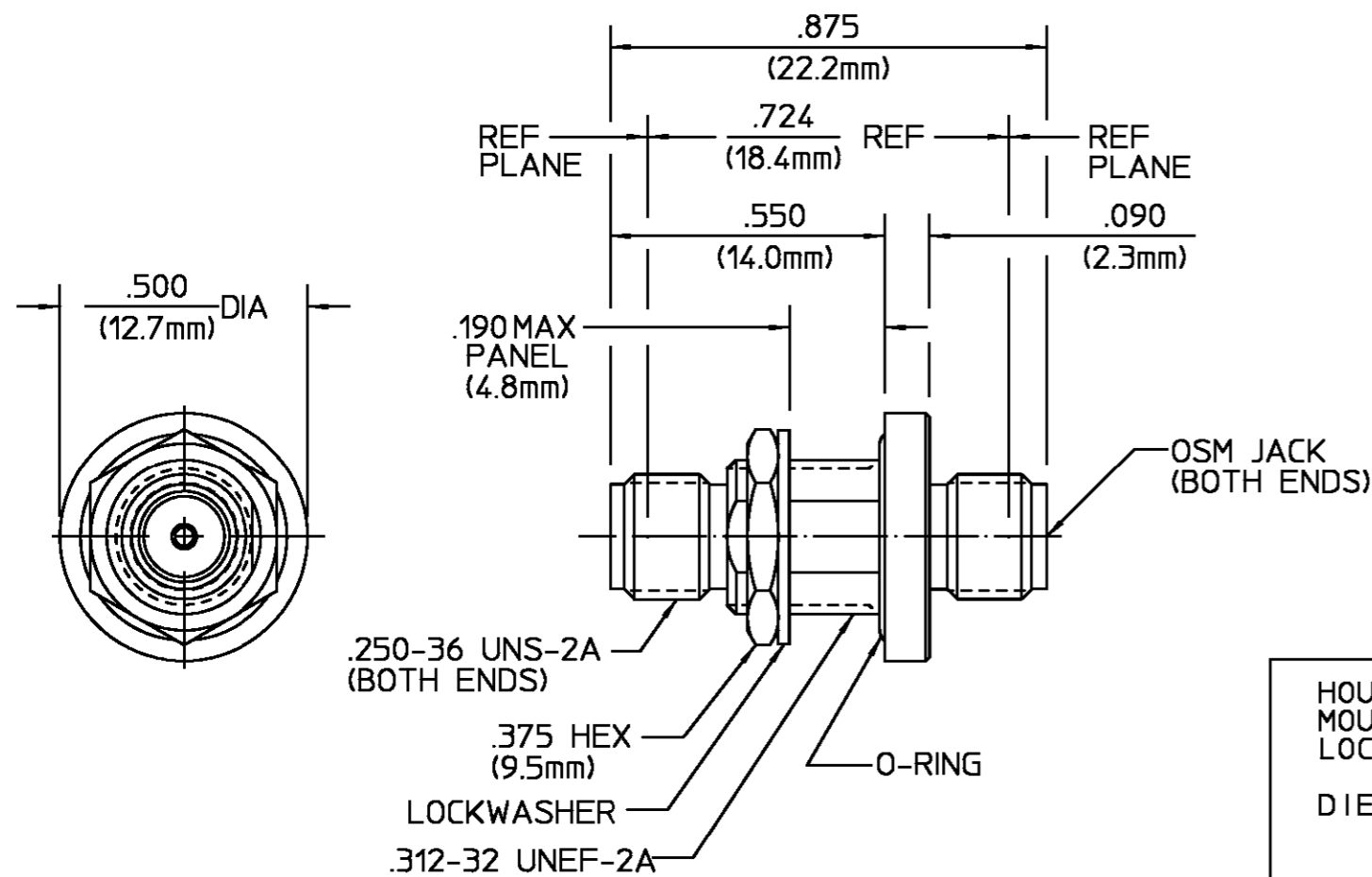


REVISIONS			
REV	DESCRIPTION	DATE	APPROVED
01 ₀	RELEASED	12/2/91	<i>RAC</i>
01 ₁	REVISED PER ECN 95-0219	5/18/95	<i>M.A.</i>



HOUSING MOUNTING NUT LOCKWASHER	STAINLESS STEEL PER ASTM-A484 AND ASTM-A582, TYPE 303	PASSIVATE PER QQ-P-35
DIELECTRIC	PTFE FLUOROCARBON PER ASTM-D-1457	N/A
CENTER CONTACT	BERYLLIUM COPPER PER ASTM B 196, ALLOY C17300, CONDITION H	GOLD PLATE PER MIL-G-45204
CONTACT EXT.	IRON-NICKEL ALLOY PER ASTM-F-30	N/A
O-RING	EPM PER ASTM-D2000-70	N/A
HERMETIC SEAL	GLASS BEAD	N/A

ELECTRICAL	MECHANICAL	ENVIRONMENTAL
Nominal Impedance (Ohms) <u>50</u>	Interface Dimensions MIL-STD-348A, Fig. 310.2	Temperature Rating <u>-65°C to +165°C</u>
Frequency Range (GHz) <u>DC to 18.0</u>	Recommended Mating Torque <u>7 to 10 In-Lbs</u>	Vibration MIL-STD-202, Method 204, Condition D
Volt Rating (VRMS MAX) @ Sea Level <u>335</u>	Mating Characteristics:	Shock MIL-STD-202, Method 213, Condition I
VSWR <u>1.10 + .010 f(GHz)</u>	Insertion (MAX Lbs) <u>3.0</u>	Thermal Shock MIL-STD-202, Method 107, Condition C
Insertion Loss (dB MAX) <u>.15√f(GHz)</u>	Withdrawal (MIN Oz) <u>1.0</u>	Moisture Resistance MIL-STD-202, Method 106
RF Leakage (dB MIN) <u>-90</u>	Force to Engage and Disengage (In-Lbs MAX) <u>2.0</u>	Corrosion - MIL-STD-202, Method 101, Condition B, 5% salt spray
Corona, 70,000 Ft (VRMS MIN) <u>250</u>	Center Contact Captivation	
Dielectric Withstanding Voltage (VRMS MIN) @ Sea Level <u>1000</u>	Axial (Lbs) <u>6.0</u>	
Contact Resistance (Milliohms MAX)	Radial (In-Oz) <u>N/A</u>	
Center Contact <u>12.0</u>	Seal:	
Outer Contact <u>4.0</u>	Hermetic: <u>1 x 10⁻⁷ cc/sec</u>	
RF High Potential @ Sea Level (VRMS MIN @ 5 MHz) <u>670</u>	Weatherproof: <u>30 psi MAX</u>	
I.R.(Megohms MIN) <u>5000</u>	Mounting Seal	
	Weight (Grams)	

COMPONENT	MATERIAL	FINISH
UNLESS OTHERWISE SPECIFIED DIMENSIONS ARE IN INCHES TOLERANCE ON	DRAWN BY: <i>M. Downs</i> DATE: 10-31-91	AMP Incorporated
FRAC. DEC. ANGLES ± 1/64 ± .005 ± 1°	CHECKED BY: <i>RAC</i> DATE: 11/15/91	140 Fourth Avenue
	APP'D BY: <i>RAC</i> DATE: 12/2/91	Waltham, MA 02451-7599
These drawings and specifications are the property of Omni Spectra Incorporated and shall not be reproduced or copied or used in whole or in part as the basis for the manufacture or sale of item(s) without written permission.	USE ASSY PROCEDURE	TITLE OSM BULKHEAD FEEDTHRU JACK TO JACK ADAPTER HERMETICALLY SEALED
	NO. A.P. <u>N/A</u>	SIZE B CODE IDENT NO. 26805 2084-1100-02 REV 01 ₁
		SCALE 3 : 1 SHEET 1 OF 1