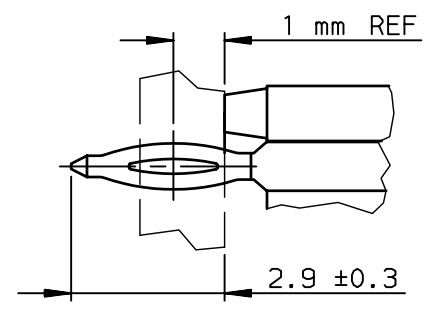
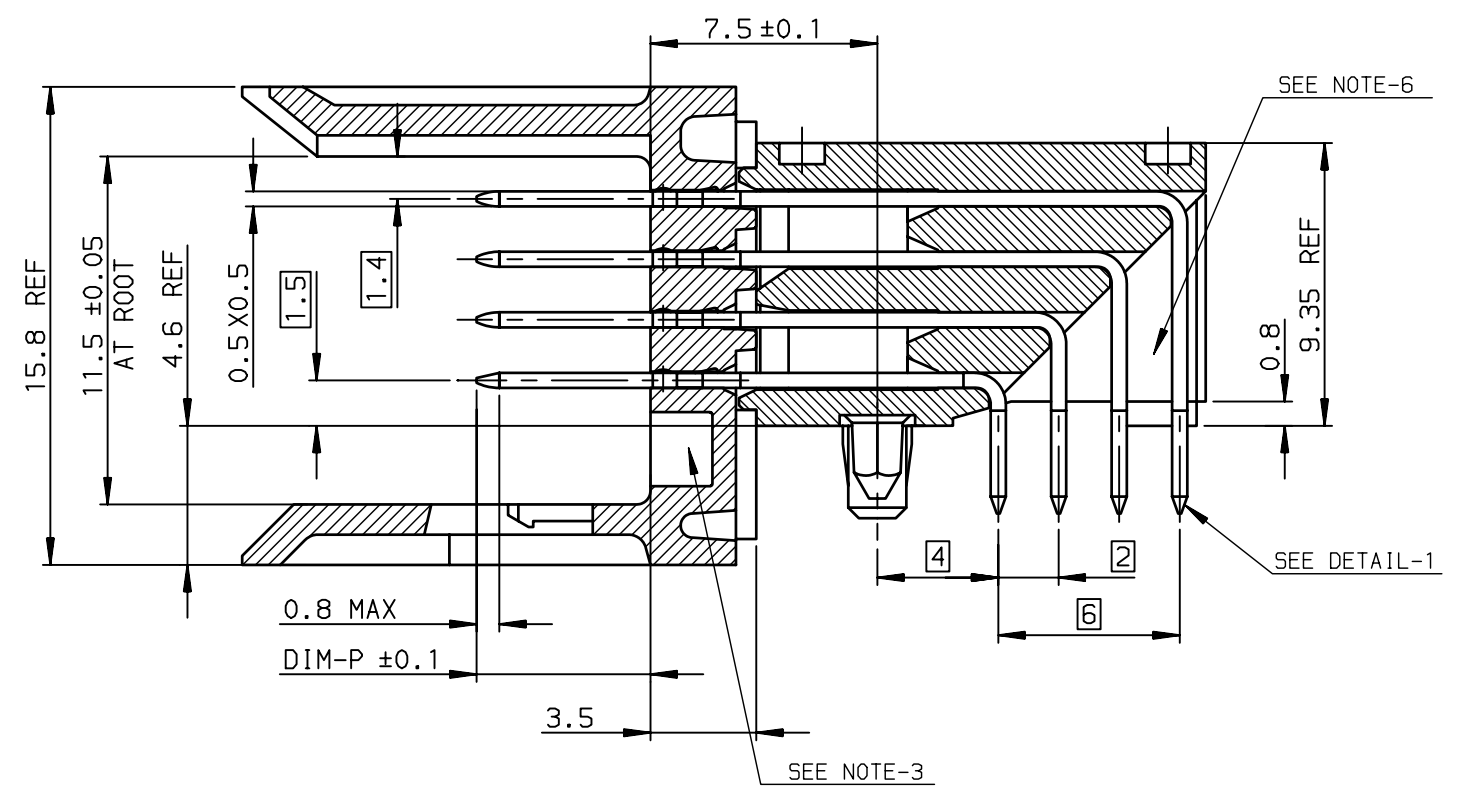


DETAIL-1: PRESS-FIT TAIL



NORMINATIVE REF = IEC-61076-4-104  
 NOTE-2: ONE CENTER PEG FOR HOLD DOWN FORCE  
 NOTE-3: CODING RECESS FOR 8MM EXTENDED KEYS  
 NOTE-4: PRODUCT MARKING = PRODUCT NUMBER + BATCH CODE + FCI  
 FOR 2 MODULE SIZE, END OF PART NUMBER ONLY  
 NOTE-6: CENTRAL WALL WITH END REAR SUPPORT  
 NOTE-7: PACKAGING IN TRAY + COVER

SECTION-A SCALE: 4/1



GENERAL CHARACTERISTICS AND ROHS INFORMATIONS:

SEE PRODUCT SPECIFICATION GS-12-445

OTHERS INFORMATIONS, SEE DRW C-8626-11207-2/-3

European Views

rev	ecn no	dr	date
B	-	CHA	2003/07/09
C	LS06-0015	JTA	2006/01/18
D	LS06-0095	LGO	2006/07/11
E	LS07-0184	MLE	2007/07/27
-	-	-	-
-	-	-	-
-	-	-	-

www.fciconnect.com		surface ISO 1302	tolerance std ISO 406 ISO 1101	projection mm
TOLERANCES UNLESS OTHERWISE SPECIFIED				size A3
Dr	CHAMPION	2003/03/18	ANGULAR	0.X ± 0.1
Eng	TARON	2003/03/18	LINEAR	0.XX ± 0.1
Chr	LEGARE	2003/03/18	0.XX' ± 2'	0.XXX ± 0.1
Appr	LEGARE	2003/03/18	Product family	METRAL
Product family				Spec ref -
title METRAL RA HEADER WB CONVERGED			dwg no C-8626-11207-1	Rev. E
4x12 CTS - PF - PUSH PEG - SPECIAL			CUSTOMER	sheet 1 of 3
catalog no				

Copyright FCI. FCI

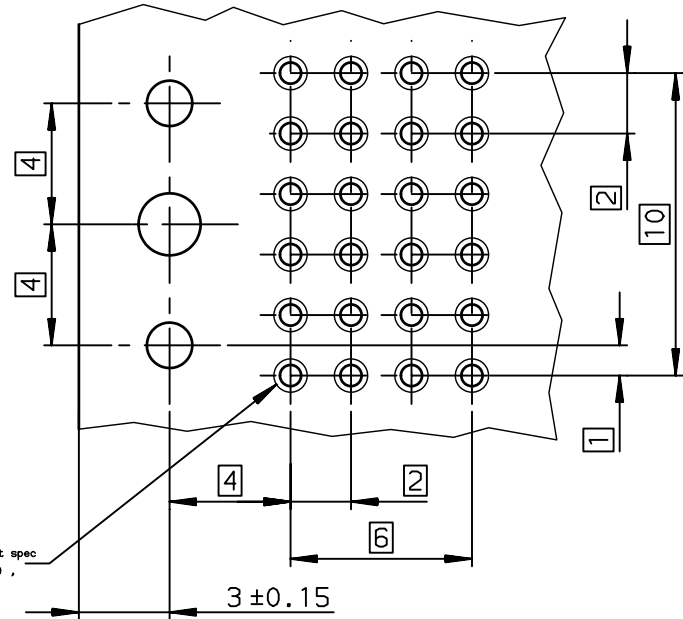
P/N: HM1L42ADP114H6P						CTS LOADING PATTERN						
DIM-P	1	2	3	4	5	6	7	8	9	10	11	12
ROW-D		5.00		5.00		5.00		5.00		5.00		5.00
ROW-C	5.00		5.00		5.00		5.00		5.00		5.00	
ROW-B		5.00		5.00		5.00		5.00		5.00		5.00
ROW-A	5.00		5.00		5.00		5.00		5.00		5.00	
DIM-D = 2.9±0.3		NUMBER OF CTS = 24				SP 114						

P/N: HM1L42DDP131H6P						CTS LOADING PATTERN						
DIM-P	1	2	3	4	5	6	7	8	9	10	11	12
ROW-D	6.50		6.50		6.50		6.50		6.50		6.50	
ROW-C		6.50		6.50		6.50		6.50		6.50		6.50
ROW-B	6.50		6.50		6.50		6.50		6.50		6.50	
ROW-A		6.50		6.50		6.50		6.50		6.50		6.50
DIM-D = 2.9±0.3		NUMBER OF CTS = 24				SP 131						

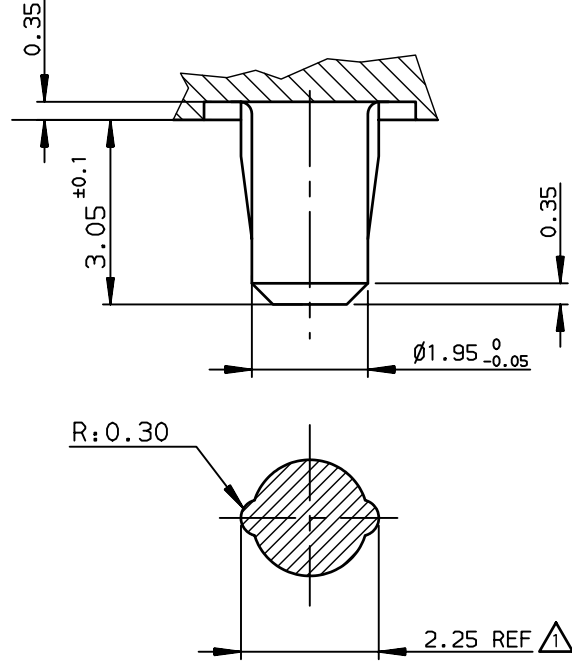
P/N: HM1L42DDP242H6P						CTS LOADING PATTERN						
DIM-P	1	2	3	4	5	6	7	8	9	10	11	12
ROW-D		6.50		6.50		6.50		6.50		6.50		6.50
ROW-C	6.50		6.50		6.50		6.50		6.50		6.50	
ROW-B		6.50		6.50		6.50		6.50		6.50		6.50
ROW-A	6.50		6.50		6.50		6.50		6.50		6.50	
DIM-D = 2.9±0.3		NUMBER OF CTS = 24				SP 242						

P/N: HM1L42ZDP421H6P						CTS LOADING PATTERN						
DIM-P	1	2	3	4	5	6	7	8	9	10	11	12
ROW-D	5.00	5.00	5.00	5.00	5.00	5.00	5.00	5.00	5.00	5.00	5.00	5.00
ROW-C	5.00	5.00	5.00	5.00	5.00	5.00	6.50	6.50	6.50	6.50	6.50	6.50
ROW-B	5.00	5.00	5.00	5.00	5.00	5.00	5.00	5.00	5.00	5.00	5.00	5.00
ROW-A	5.00	5.00	5.00	5.00	5.00	5.00	5.00	5.00	5.00	5.00	5.75	5.75
DIM-D = 2.9±0.3		NUMBER OF CTS = 48				SP 421						

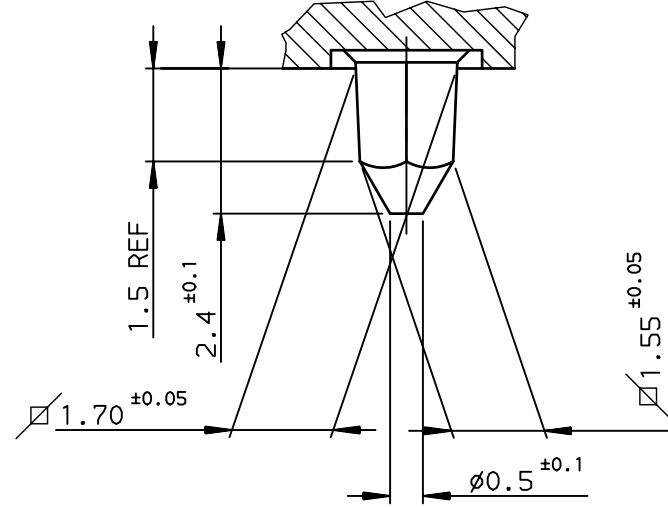
RECOMMENDED PCB LAYOUT



DETAIL OF CENTRAL PEG SCALE 8/1



DETAIL OF LOCATING PEGS (2x) SCALE 8/1



OTHERS INFORMATIONS, SEE DRW 8626-11207-1/-3

European Views

www.fciconnect.com		surface ISO 1302	tolerance std ISO 406 ISO 1101	projection mm
		TOLERANCES UNLESS OTHERWISE SPECIFIED		
Dr	CHAMPION	24/08/23	ANGULAR	0.X ±0.1
Eng	TARON	2003/03/18	LINEAR	0.XX ±0.1
Chr	LEGARE	2003/03/18	0.XX' ±2'	0.XXX ±0.1
Appr	LEGARE	2003/03/18	Product family	METRAL
FCi		METRAL RA HEADER WB CONVERGED		size A3
Title		4x12 CTS - PF - PUSH PEG - SPECIAL		Scale 4
catalog no		-		ECN LS07-0184
		CUSTOMER		Spec ref -
		sheet 2 of 3		Rev. E

rev	ecn no	dr	date
B	-	CHA	2003/07/09
C	LS06-0015	JTA	2006/01/18
D	LS06-0095	LGO	2006/07/11
E	LS07-0184	MLE	2007/07/27
-	-	-	-
-	-	-	-
-	-	-	-

Copyright FCI. FCI

P/N: HM1L42ZDP444H6P						CTS LOADING PATTERN						
DIM-P	1	2	3	4	5	6	7	8	9	10	11	12
ROW-D	5.00	5.00	5.00	5.00	5.00	5.00	5.00	5.00	5.00	5.00	5.00	5.00
ROW-C	5.00	5.00	5.00	5.00	5.00	5.00	5.00	5.00	5.00	5.00	5.00	6.50
ROW-B	5.00	5.00	5.00	5.00	5.00	5.00	5.00	5.00	5.00	5.00	5.00	5.00
ROW-A	5.00	5.00	5.00	5.00	5.00	5.00	5.00	5.00	5.00	5.00	5.00	5.00
DIM-D =2.9±0.3		NUMBER OF CTS = 48				SP 444						

P/N: HM1L42DDP242H6PLF						CTS LOADING PATTERN						
DIM-P	1	2	3	4	5	6	7	8	9	10	11	12
ROW-D		6.50		6.50		6.50		6.50		6.50		6.50
ROW-C	6.50		6.50		6.50		6.50		6.50		6.50	
ROW-B		6.50		6.50		6.50		6.50		6.50		6.50
ROW-A	6.50		6.50		6.50		6.50		6.50		6.50	
DIM-D =2.9±0.3		NUMBER OF CTS = 24				SP 242						

P/N: HM1L42ADP114H6PLF						CTS LOADING PATTERN						
DIM-P	1	2	3	4	5	6	7	8	9	10	11	12
ROW-D		5.00		5.00		5.00		5.00		5.00		5.00
ROW-C	5.00		5.00		5.00		5.00		5.00		5.00	
ROW-B		5.00		5.00		5.00		5.00		5.00		5.00
ROW-A	5.00		5.00		5.00		5.00		5.00		5.00	
DIM-D =2.9±0.3		NUMBER OF CTS = 24				SP 114						

P/N: HM1L42ZDP421H6PLF						CTS LOADING PATTERN						
DIM-P	1	2	3	4	5	6	7	8	9	10	11	12
ROW-D	5.00	5.00	5.00	5.00	5.00	5.00	5.00	5.00	5.00	5.00	5.00	5.00
ROW-C	5.00	5.00	5.00	5.00	5.00	5.00	6.50	6.50	6.50	6.50	6.50	6.50
ROW-B	5.00	5.00	5.00	5.00	5.00	5.00	5.00	5.00	5.00	5.00	5.00	5.00
ROW-A	5.00	5.00	5.00	5.00	5.00	5.00	5.00	5.00	5.00	5.00	5.75	5.75
DIM-D =2.9±0.3		NUMBER OF CTS = 48				SP 421						

P/N: HM1L42DDP131H6PLF						CTS LOADING PATTERN						
DIM-P	1	2	3	4	5	6	7	8	9	10	11	12
ROW-D	6.50		6.50		6.50		6.50		6.50		6.50	
ROW-C		6.50		6.50		6.50		6.50		6.50		6.50
ROW-B	6.50		6.50		6.50		6.50		6.50		6.50	
ROW-A		6.50		6.50		6.50		6.50		6.50		6.50
DIM-D =2.9±0.3		NUMBER OF CTS = 24				SP 131						

P/N: HM1L42ZDP444H6PLF						CTS LOADING PATTERN						
DIM-P	1	2	3	4	5	6	7	8	9	10	11	12
ROW-D	5.00	5.00	5.00	5.00	5.00	5.00	5.00	5.00	5.00	5.00	5.00	5.00
ROW-C	5.00	5.00	5.00	5.00	5.00	5.00	5.00	5.00	5.00	5.00	5.00	6.50
ROW-B	5.00	5.00	5.00	5.00	5.00	5.00	5.00	5.00	5.00	5.00	5.00	5.00
ROW-A	5.00	5.00	5.00	5.00	5.00	5.00	5.00	5.00	5.00	5.00	5.00	5.00
DIM-D =2.9±0.3		NUMBER OF CTS = 48				SP 444						

OTHERS INFORMATIONS, SEE DRW 8626-11207-1/-2

European Views

www.fciconnect.com		surface ISO 1302	tolerance std ISO 406 ISO 1101	projection 	mm
TOLERANCES UNLESS OTHERWISE SPECIFIED					
Dr	CHAMPION	2003/03/18	ANGULAR	0.X	±0.1
Eng	TARON	2003/03/18	LINEAR	0.XX	±0.1
Chr	LEGARE	2003/03/18	0.XX' ±2'	0.XXX	±0.1
Appr	LEGARE	2003/03/18	Product family	METRAL	Spec ref -
Title METRAL RA HEADER WB CONVERGED			dwg no C-8626-11207-3		Rev. E
catalog no			CUSTOMER sheet 3 of 3		

rev	ecn no	dr	date
B	-	CHA	2003/07/09
C	LS06-0015	JTA	2006/01/18
D	LS06-0095	LGO	2006/07/11
E	LS07-0184	MLE	2007/07/27
-	-	-	-
-	-	-	-
-	-	-	-



Copyright FCI.