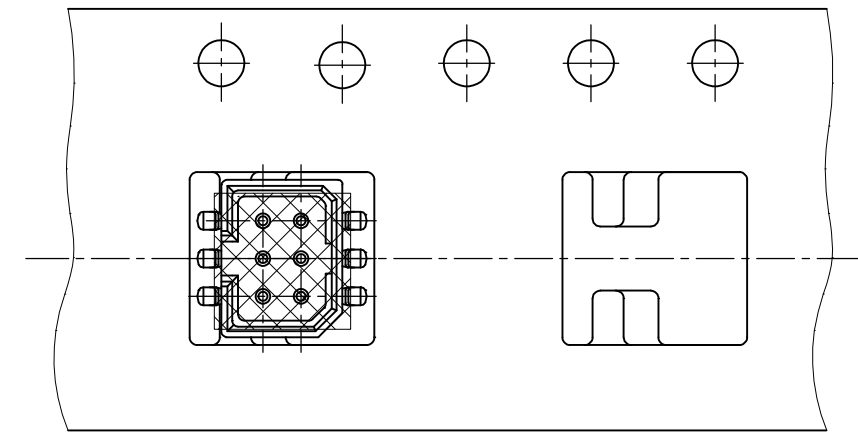
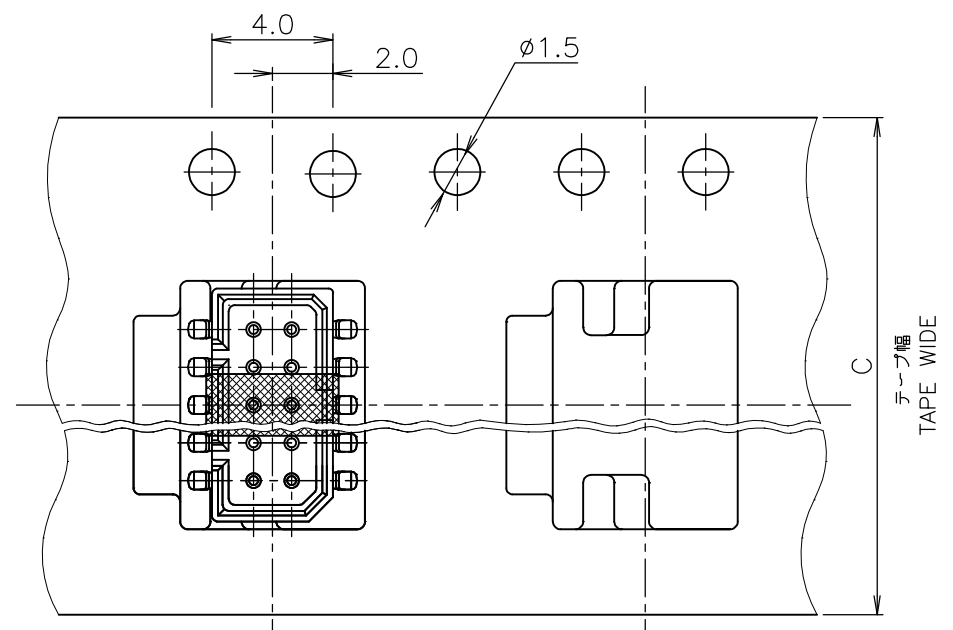
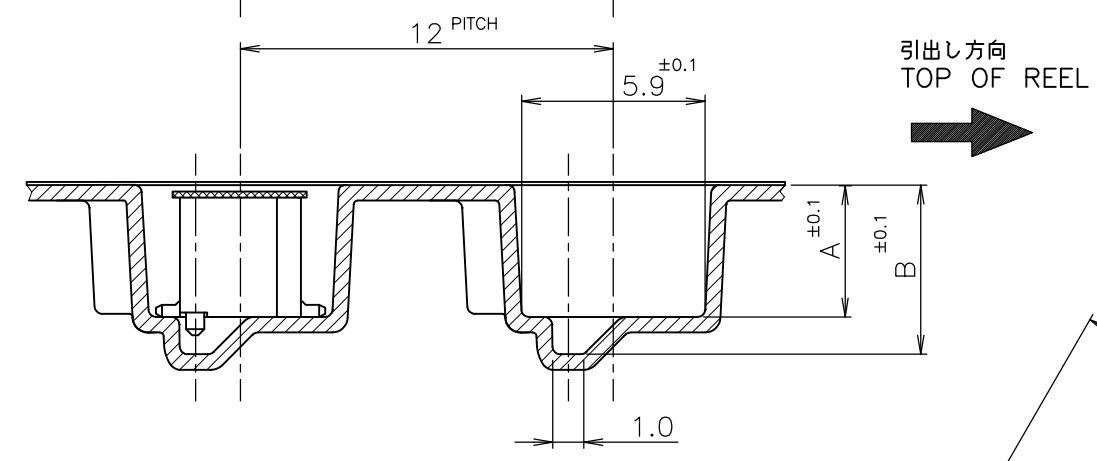


THIS DRAWING IS UNPUBLISHED. RELEASED FOR PUBLICATION  
 © COPYRIGHT - By - ALL RIGHTS RESERVED.

LOC	DIST	REVISIONS					
		P	LTR	DESCRIPTION	DATE	DWN	APVD
		C1		ADD P/N 3-*--6	19MAR15	I.T	W.H

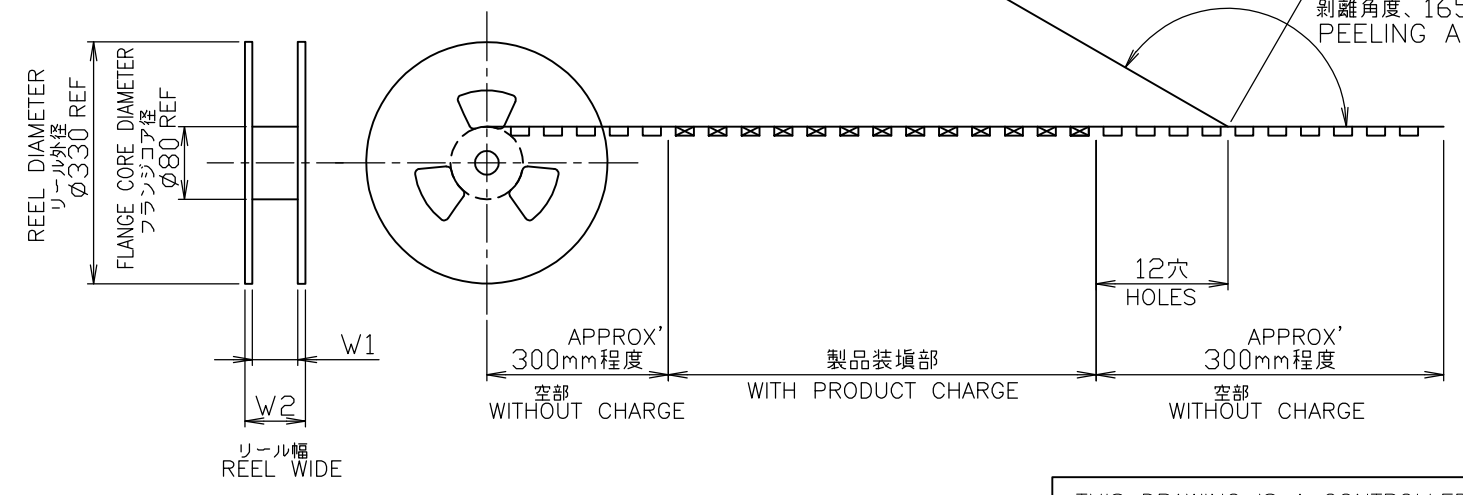


6 Pos.(P/N:3-1981350-6)



WEEDING THE COVER TAPE AROUND THE OUTER PERIPHERY IN A TURN.  
 カバーテープ リーダーテープ 外周一巻  
 剥離角度、165°~180° PEELING ANGLE.

注記 ;  
 1. 包装規格 : 107-5123-5  
 NOTES;  
 1. PACKING SPEC : 107-5123-5



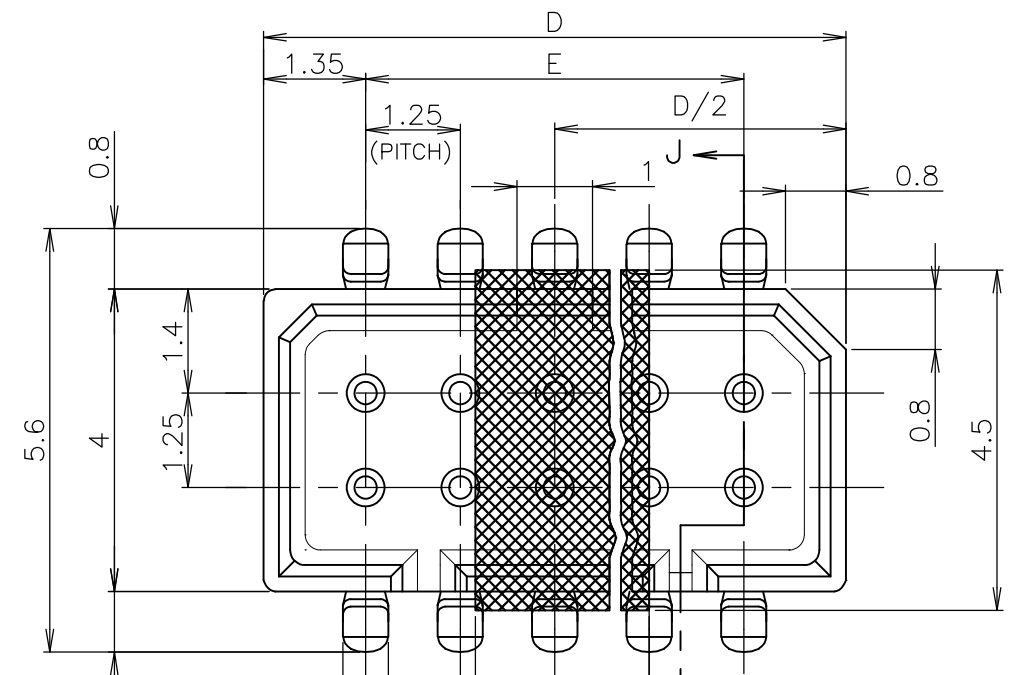
'B'	21	18	4.5	4.2	↑	2.50	5.20	16	↑	↑	↑	6	3-	↑	-6
'B'	21	18	↑	6.70		5.00	7.70	16	↑	↑	↑	10	4-		-0
↑	↑	↑	↑	↑	3.95	↑	↑	↑	5.45	4.25	1000	↑	5-		-0
'A'	29	26	5.5	12.95	5.45	11.25	13.95	24	6.95	5.75	750	20	2-1981350-0		
BOSS 形状 BOSS FORM	W <sub>2</sub>	W <sub>1</sub>	M	G	F	E	D	C	B	A	数量 (ク) QTY/REEL	板数 Pos.	リール巻 コネクタ型番 TAPING P/N		

THIS DRAWING IS A CONTROLLED DOCUMENT.

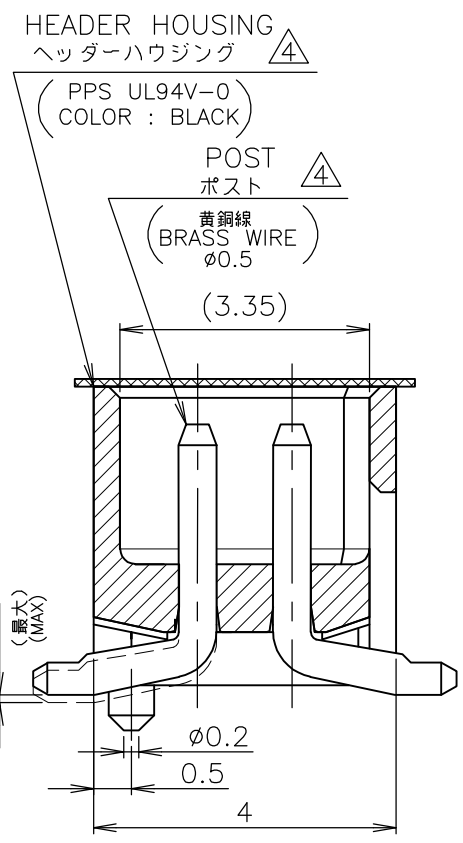
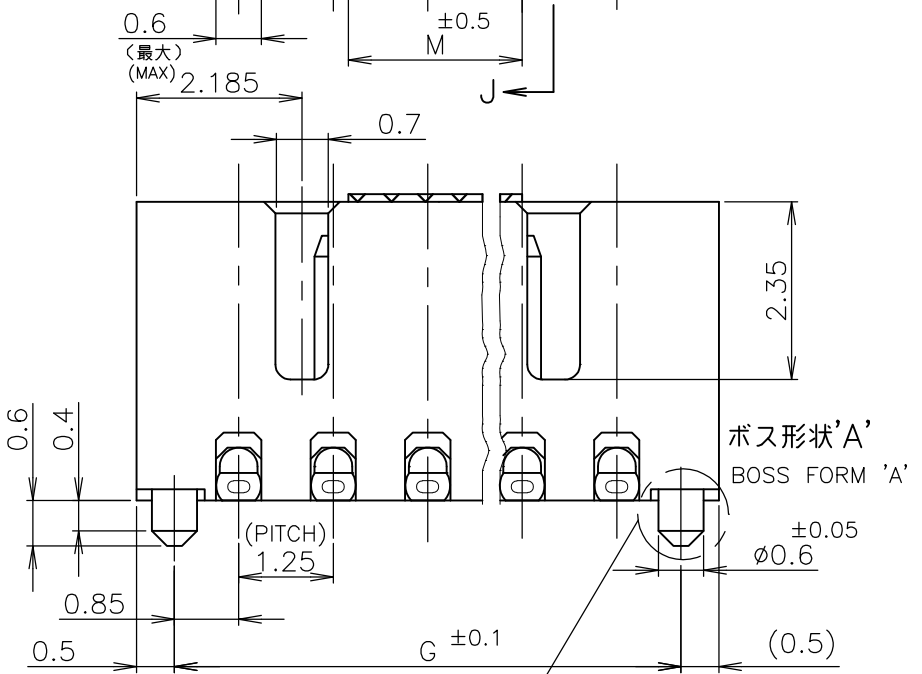
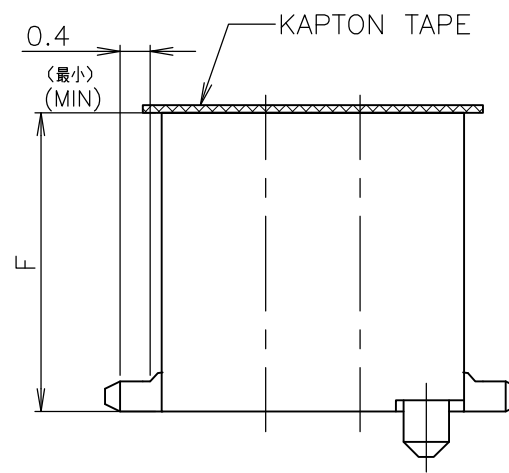
DWN	V.TAN	27NOV07	<b>STE</b> TE Connectivity				
CHK	Y.NAKAZAWA	28NOV07					
APVD	Y.NAKAZAWA	28NOV07	NAME 名称 1.25FP CONNECTOR B-T-B, KAPTON TAPE, ON TAPING EMBOSS, DOUBLE ROW POST HDR ASSY SMT TYPE WITH BOSS				
PRODUCT SPEC	製品規格	108-5426					
APPLICATION SPEC	取付適用規格		SIZE	CAGE CODE	DRAWING NO 番号	RESTRICTED TO	
			A3	00779	C-1981350		
MATERIAL 材料	FINISH 仕上		CUSTOMER DRAWING	SCALE 尺度	NON	SHEET 1 OF 2	REV C1

THIS DRAWING IS UNPUBLISHED. RELEASED FOR PUBLICATION  
 © COPYRIGHT - By - ALL RIGHTS RESERVED.

LOC	DIST	REVISIONS					
		P	LTR	DESCRIPTION	DATE	DWN	APVD
-	-	-	-	SEE SHEET 1	-	-	-



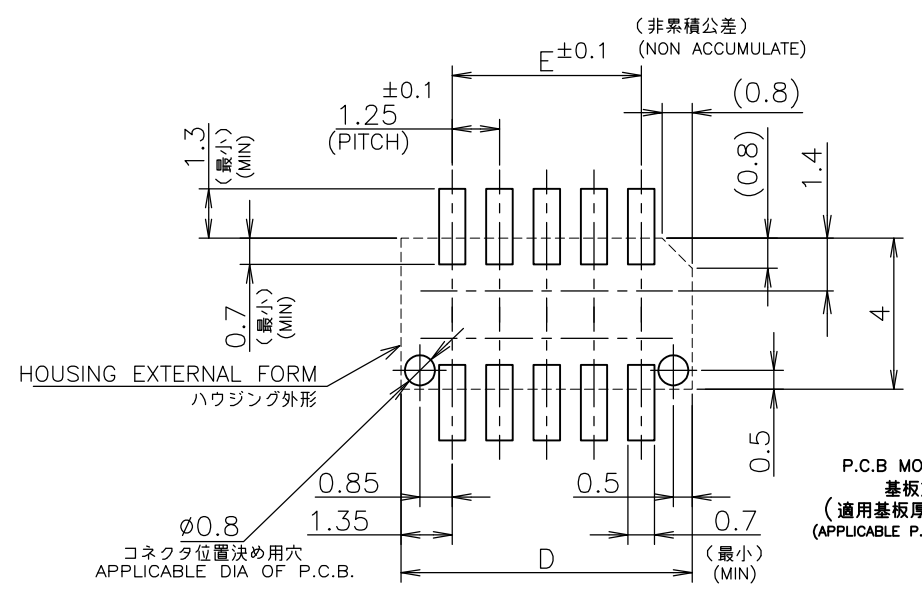
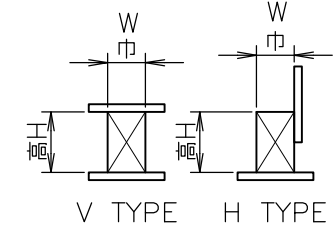
注記  
 NOTE 2 嵌合相手製品型番及び、嵌合時寸法は  
 MATING COUNTER PART NUMBER AND DIMENSIONS  
 表-1 参照のこと。  
 AFTER MATING: SEE TABLE 1.  
 ③ 仕上げ：ニッケル下地錫めっき(後めっき)  
 FINISH ; TIN PL.  
 Ni UNDER PL. ALL OVER



嵌合時寸法:巾(mm)x高さ(mm)  
 DIMENSIONS AFTER MATING : WIDTH(mm) x HEIGHT(mm)

MATING COUNTER CONN RECE HDR ASSY	SMT TYPE		
	X-174635-X X-176870-X	X-174821-X X-1981350-X ポスト付 WITH BOSS	ハウジング高さ F寸法 HOUSING HEIGHT F DIMENSIONS
V TYPE	5.6(巾W)x 5.0(高H)	5.6(巾W)x 6.5(高H)	5.6(巾W)x 7.0(高H)
H TYPE	5.6(巾W)x 5.8(高H)	5.6(巾W)x 7.3(高H)	5.6(巾W)x 7.8(高H)
ボス無 WITHOUT BOSS	5.6(巾W)x 5.0(高H)	5.6(巾W)x 6.5(高H)	5.6(巾W)x 7.0(高H)
ボス付 WITH BOSS	5.6(巾W)x 6.9(高H)	5.6(巾W)x 8.4(高H)	5.6(巾W)x 8.9(高H)

TABLE 1  
 表-1 SMT TYPEは、巾及び高さ寸法に  
 SMT TYPE INCLUDE DIMENSIONS  
 半田付タイン部寸法を含みます。  
 OF SOLDER DIP TIME.



ボス形状'B'  
 BOSS FORM 'B'

P.C.B MOUNTING LAYOUT  
 基板加工寸法  
 (適用基板厚 : 0.6mm 最小)  
 (APPLICABLE P.C.B THK : 0.6mm MIN)

THIS DRAWING IS A CONTROLLED DOCUMENT.

DIMENSIONS: 単位: 耗 mm	TOLERANCES UNLESS OTHERWISE SPECIFIED: 一般公差	DWN	STE TE Connectivity	
0 PLC ± 0.3	1 PLC ± 0.3	CHK	NAME 名称	
2 PLC ± 0.3	3 PLC ± 0.3	APVD	1.25FP CONNECTOR B-T-B, KAPTON TAPE, ON TAPING EMBOSS, DOUBLE ROW POST HDR ASSY SMT TYPE WITH BOSS	
4 PLC ± 0.3	ANGLES ± 3'	PRODUCT SPEC 製品規格	SIZE	CAGE CODE
MATERIAL 材料	FINISH 仕上	APPLICATION SPEC 取付適用規格	A3	00779
④	③	WEIGHT	DRAWING NO 番号	RESTRICTED TO
CUSTOMER DRAWING			G-1981350	-
SCALE 尺度 10:1			SHEET 2 OF 2	REV C1