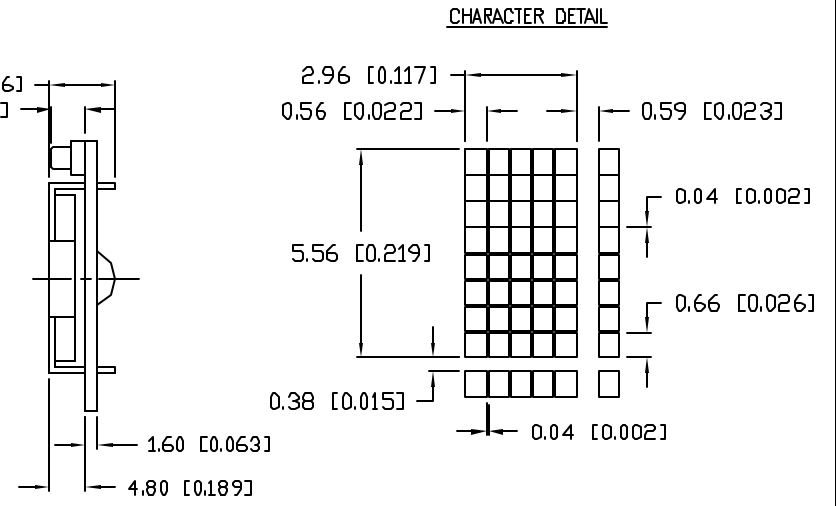
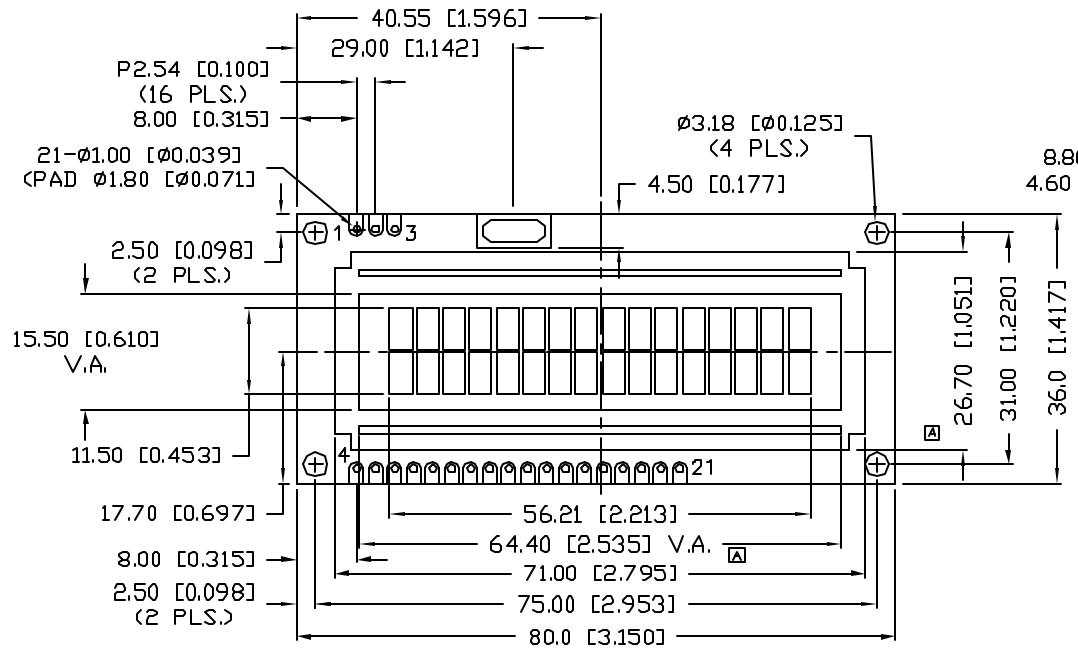


UNCONTROLLED DOCUMENT

PART NUMBER		REV.
LCM-E01602DSR		D
REV.	E.C.N. NUMBER AND REVISION COMMENTS	DATE
A	E.C.N. #10677.	11.10.00
B	E.C.N. #10707.	1.17.01
C	E.C.N. #10723.	3.19.01
D	E.C.N. #11148.	02.13.07



CAUTION: STATIC SENSITIVE DEVICE
FOLLOW PROPER E.S.D. HANDLING PROCEDURES
WHEN WORKING WITH THIS PART.




UNCONTROLLED DOCUMENT

*UNLESS OTHERWISE SPECIFIED TOLERANCES PER DECIMAL PRECISION ARE: X=±1 (±0.039), XX=±0.5 (±0.020), XXX=±0.25 (±0.010), XXXX=±0.127 (±0.005). LEAD SIZE=±0.05 (±0.002), LEAD LENGTH=±0.75 (±0.030). MIN= +DECIMAL PRECISION -0.00 MAX.= +0.00 -DECIMAL PRECISION

REV.	PART NUMBER
D	LCM-E01602DSR

CONFIDENTIAL INFORMATION
THE INFORMATION CONTAINED IN THIS DOCUMENT IS THE PROPERTY OF LUMEX INC. EXCEPT AS SPECIFICALLY AUTHORIZED IN WRITING BY LUMEX INC., THE HOLDER OF THIS DOCUMENT SHALL KEEP ALL INFORMATION CONTAINED HEREIN CONFIDENTIAL AND SHALL PROTECT SAME IN WHOLE OR IN PART FROM DISCLOSURE AND DISSEMINATION TO ALL THIRD PARTIES.

RELIABILITY NOTE
OUR MANY YEARS OF EXPERIENCE DATA ACCUMULATION INDICATE THAT SOLDER HEAT IS A MAJOR CAUSE OF EARLY AND FUTURE FAILURE. PLEASE PAY ATTENTION TO YOUR SOLDERING PROCESS.



290 E. HELEN ROAD
PALATINE, IL 60067-6976
PHONE: +1.847.359.2790
US WEB: www.lumex.com
TW WEB: www.lumex.com.tw

5.56 CHARACTER HEIGHT, 16 x 2 CHARACTERS, LCD MODULE,
5 x B DOT MATRIX, SERIAL INPUT, STN, REFLECTIVE.

DRAWN BY: jc
CHECKED BY:
APPROVED BY:

DATE: 10.12.00
PAGE: 1 OF 3
SCALE: N/A

PART NUMBER		REV.
LCM-E01602DSR		D
REV.	E.C.N. NUMBER AND REVISION COMMENTS	DATE
	SEE PAGE 1.	

PIN CONFIGURATION

PIN NO.	SYMBOL	I/O	FUNCTION	
1	Vss	I	POWER SUPPLY	
2	VDD	I		GND (0V)
3	RXD	I		3.3V
4~11	P1.0~1.7	I/O	SERIAL DATA	
4~11	P1.0~1.7	I/O	8-BIT BIDIRECTIONAL I/O PORT	
12~17	P3.1~3.5,3.7	I/O	BIDIRECTIONAL I/O PORT WITH INTERNAL PULLUP	
18	XTAL1	I	INPUT TO INVERTING OSCILLATOR AMPLIFIER & INTERNAL CLOCK OPERATING CIRCUIT	
19	RST	I	RESET FOR AT89C2051	
20	Vss	I	GND (0V)	
21	Vcc	I	SUPPLY VOLTAGE FOR AT89C2051	

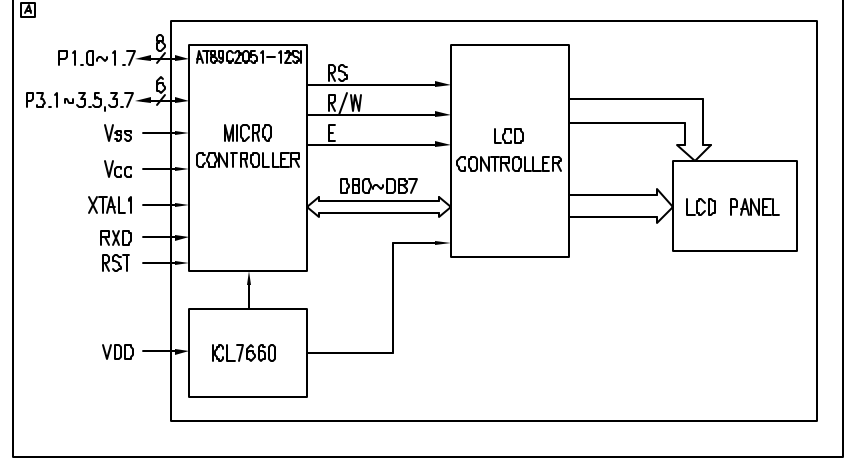
ELECTRICAL CHARACTERISTICS

ITEM	SYMBOL	CONDITION	STANDARD VALUE			UNIT
			MIN.	TYP.	MAX.	
SUPPLY VOLTAGE	Vcc	-	2.7	-	6.0	V
SUPPLY CURRENT	Icc	ACTIVE MODE 12MHz, Vcc=3V	-	-	5.5	mA
SUPPLY VOLTAGE FOR LCD DRIVE	Vo	Ta=25°C	-	0.8	-	V

ABSOLUTE MAXIMUM RATINGS

ITEM	SYMBOL	STANDARD VALUE		UNIT
		MIN	MAX	
SUPPLY VOLTAGE	Vcc	-	6.6	V
VOLTAGE ON ANY PIN W/RESPECT TO GND	-	-1.0	+7.0	V
DC OUTPUT CURRENT	Iout	Icc	25.0	mA
OPERATING TEMPERATURE	Topr	-20	70	°C
STORAGE TEMPERATURE	Tstg	-30	85	°C

BLOCK DIAGRAM



NOTES:

1. 10K~20K POTENTIOMETER ON PCB TO ADJUST CONTRAST.

*UNLESS OTHERWISE SPECIFIED TOLERANCES PER DECIMAL PRECISION ARE: X=±1 (±0.039), XX=±0.5 (±0.020), XXX=±0.25 (±0.010), XXXX=±0.127 (±0.005). LEAD SIZE=±0.05 (±0.002), LEAD LENGTH=±0.75 (±0.030). MIN= +DECIMAL PRECISION -0.00 MAX.= +0.00 -DECIMAL PRECISION

REV.	PART NUMBER
D	LCM-E01602DSR

CONFIDENTIAL INFORMATION
 THE INFORMATION CONTAINED IN THIS DOCUMENT IS THE PROPERTY OF LUMEX INC. EXCEPT AS SPECIFICALLY AUTHORIZED IN WRITING BY LUMEX INC., THE HOLDER OF THIS DOCUMENT SHALL KEEP ALL INFORMATION CONTAINED HEREIN CONFIDENTIAL AND SHALL PROTECT SAME IN WHOLE OR IN PART FROM DISCLOSURE AND DISSEMINATION TO ALL THIRD PARTIES.



290 E. HELEN ROAD
 PALATINE, IL 60067-6976
 PHONE: +1.847.359.2790
 US WEB: www.lumex.com
 TW WEB: www.lumex.com.tw

5.56 CHARACTER HEIGHT, 16 x 2 CHARACTERS, LCD MODULE,
 5 x 8 DOT MATRIX, SERIAL INPUT, STN, REFLECTIVE.

RELIABILITY NOTE
 OUR MANY YEARS OF EXPERIENCE DATA ACCUMULATION INDICATE THAT SOLDER HEAT IS A MAJOR CAUSE OF EARLY AND FUTURE FAILURE. PLEASE PAY ATTENTION TO YOUR SOLDERING PROCESS.

DRAWN BY:	CHECKED BY:	APPROVED BY:	DATE: 10.12.00
jc			PAGE: 2 OF 3
			SCALE: N/A

