

## PRODUCT BRIEF

### KEY FEATURES

- ▶ High reliability
- ▶ Low insertion Loss
- ▶ High Isolation
- ▶ Optimized for different wavelengths
- ▶ Wide operating temperature range

### OVERVIEW

Finisar free space isolators are used in various TOSAs, which require isolation to prevent feedback into the laser. Available in single stage and semi-double stage designs.

Finisar free space isolators offer excellent performance with low insertion loss, high isolation. Our proprietary bonding process, and years of volume manufacturing experience, results in a high reliability record. Bare isolator chips survive more than 5,000hrs of damp heat testing without delamination.



### SPECIFICATIONS

Single stage free space isolator specifications:

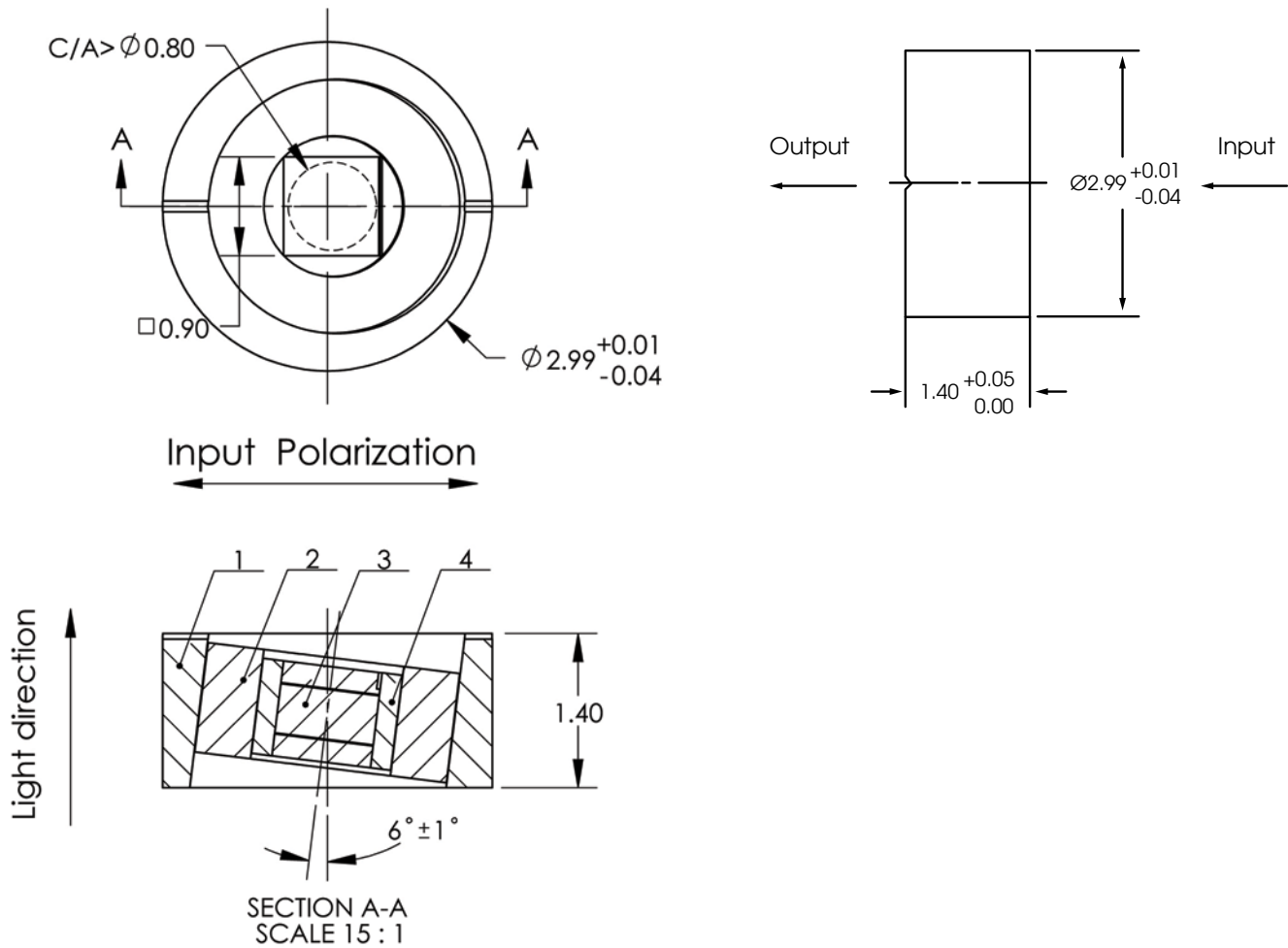
Parameters	Units	Specification
CWL	nm	1270 ~ 1610
Operating wavelength	nm	+/-20
Insertion loss	dB	< 0.3
Minimum Isolation*	dB	>20
Clear aperture	mm	> 0.8 diameter
Tilt angle	DEG	6 +/- 1
Operating temperature	°C	-40 to 85
Storage temperature	°C	-40 to 100

\* Note: Overall wavelengths and temperatures

# Free Space Isolator

## PACKAGE DIMENSIONS (unit:mm)

Single Stage Isolator (Round type)



## ORDERING INFORMATION

Part Number:	Description
FIF-S-55-080-R	Free space isolator, 1550nm, single stage, CA 0.8mm, round
FIF-S-31-080-R	Free space isolator, 1310nm, single stage, CA 0.8mm, round

**Finisar**<sup>®</sup> 1389 Moffett Park Drive  
 Sunnyvale, CA 94089  
 Phone 408-548-1000  
 Email: sales@finisar.com  
 www.finisar.com