

Compact piezoelectric accelerometers

726 and 726T

SPECIFICATIONS

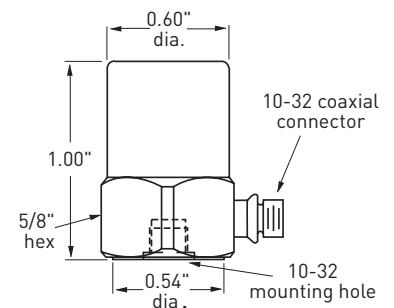
Sensitivity, $\pm 5\%$, 25°C		100 mV/g
Acceleration range		80 g peak
Amplitude nonlinearity		1%
Frequency response:	$\pm 5\%$	2.0 - 10,000 Hz
	$\pm 10\%$	1.0 - 12,000 Hz
	± 3 dB	0.6 - 15,000 Hz
Resonance frequency, mounted, nominal		32 kHz
Transverse sensitivity, max		5% of axial
Temperature response:	-50°C	-10%
	+120°C	+5%
Power requirement:		
Voltage source		18 - 30 VDC
Current regulating diode		2 - 10 mA
Electrical noise, equiv. g, nominal:		
Broadband	2.5 Hz to 25 kHz	60 μ g
Spectral	10 Hz	8.0 μ g/ $\sqrt{\text{Hz}}$
	100 Hz	0.8 μ g/ $\sqrt{\text{Hz}}$
	1,000 Hz	0.3 μ g/ $\sqrt{\text{Hz}}$
	10,000 Hz	0.2 μ g/ $\sqrt{\text{Hz}}$
Output impedance, max		100 Ω
Bias output voltage, nominal		12 VDC
Grounding:	726 (side connector)	case grounded
	726T (top connector)	base isolated
Temperature range		-50° to +120°C
Vibration limit		500 g peak
Shock limit		5,000 g peak
Electromagnetic sensitivity at 60 Hz		40 μ g/gauss
Base strain sensitivity		0.002 g/ μ strain
Weight:	726	30 grams
	726T	34 grams
Case material		316L stainless steel
Mounting		10-32 tapped hole
Output connector		10-32 coaxial
Mating connector		R1
Recommended cabling		J93

Accessories supplied: SF1 mounting stud; calibration data (level 3)

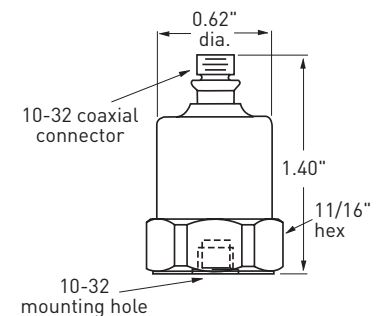


Key features

- Wide frequency range
- Low noise floor
- Manufactured in ISO 9001 facility



Model 726



Model 726T



Note: Due to continuous process improvement, specifications are subject to change without notice. This document is cleared for public release.