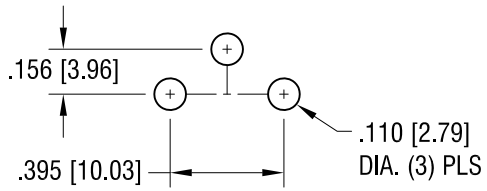
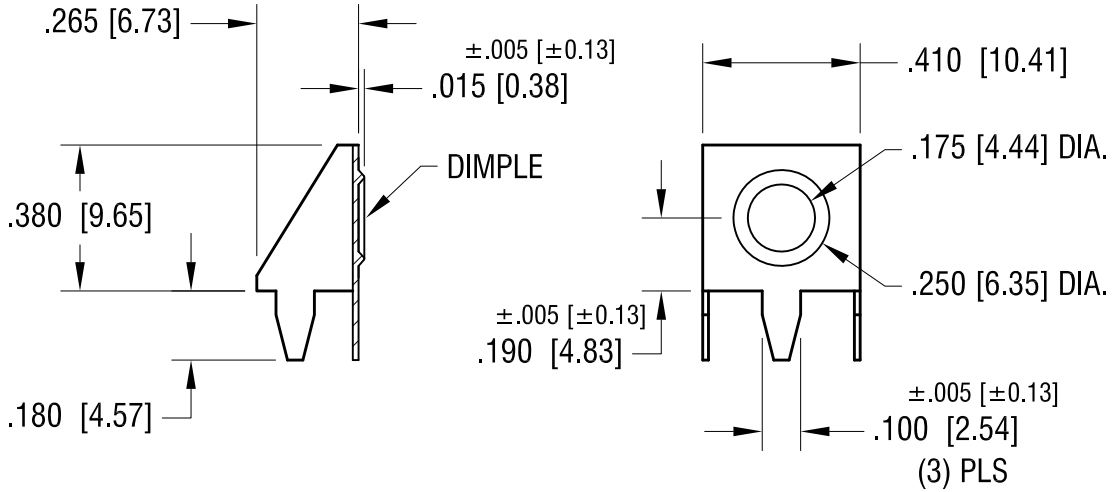


THIS DOCUMENT IS THE PROPERTY OF KEYSTONE ELECTRONICS CORP. AND SHALL NOT BE REPRODUCED, DISTRIBUTED OR USED AS A BASIS FOR MANUFACTURE WITHOUT PRIOR WRITTEN PERMISSION FROM KEYSTONE ELECTRONICS CORP.



MOUNTING DETAIL

ACTUAL SIZE



8.25.04	CHANGE AS PER ECN 04-070	A
DATE	DESCRIPTION	REV.

<b>KEYSTONE ELECTRONICS CORP.</b>			
www.keyelco.com • NEW HYDE PARK, NY 11040 • Tel (516) 328-7500			
PART NAME			
'AA' 'AAA' 'N' SIZE PC BUTTON CONTACT			
MATERIAL			
.015 [0.38] TH'K STEEL			
FINISH		DRN BY	DATE
TIN NICKEL PLATE		BOONE	1.07.99
		APP'D	SCALE
		LN	2X
TOLERANCES	INCH [MM]	CODE	DWG NO.
DECIMAL	± .010 [± 0.25]	C	<b>637</b>
ANGULAR	± 1°		
UNLESS OTHERWISE SPECIFIED			