

THIS DRAWING IS UNPUBLISHED. RELEASED FOR PUBLICATION 20  
 © COPYRIGHT 20 BY - ALL RIGHTS RESERVED.

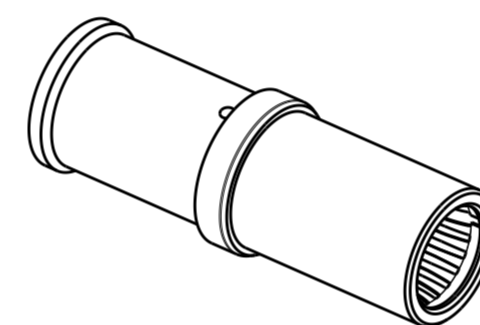
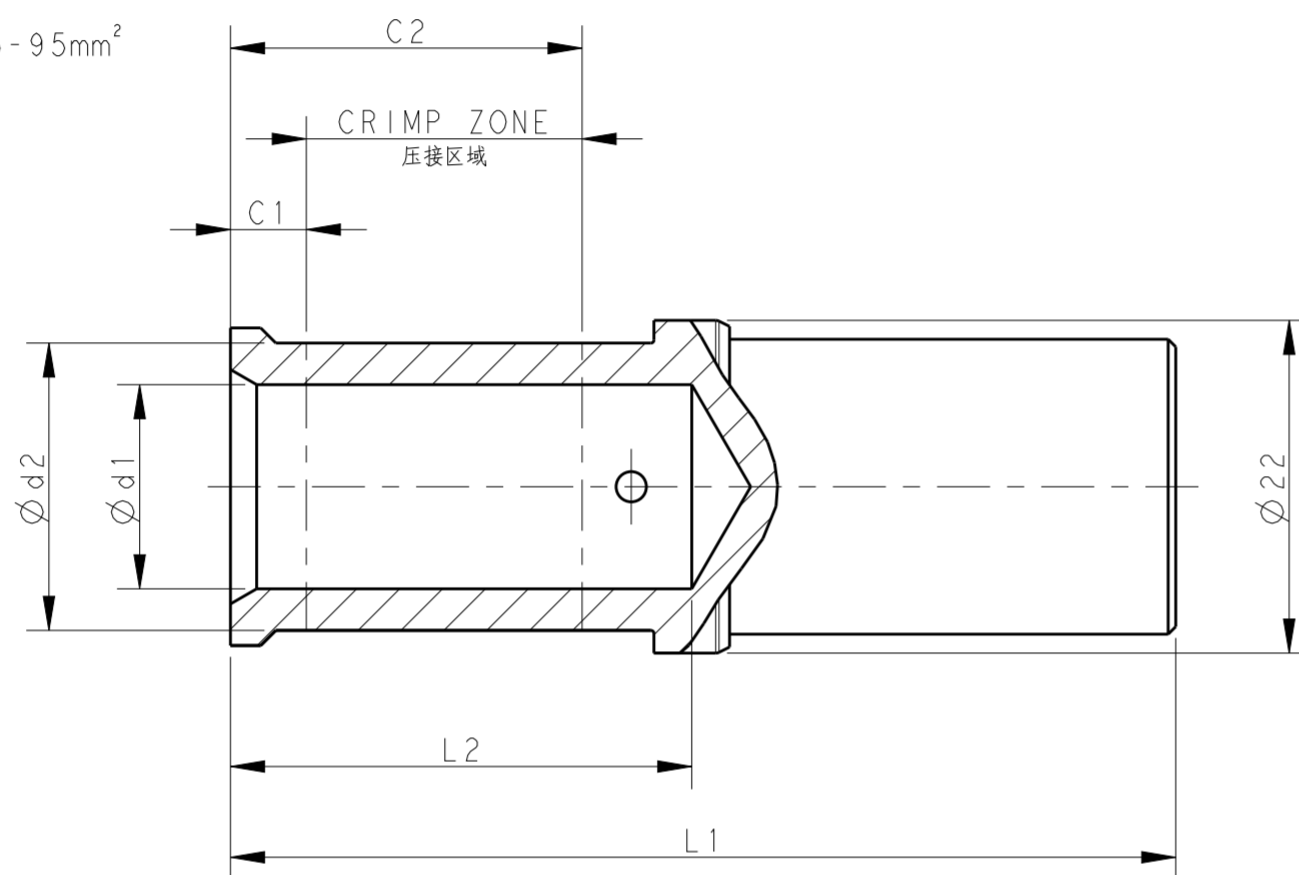
| REVISIONS |     |               |           |       |
|-----------|-----|---------------|-----------|-------|
| P         | LTR | DESCRIPTION   | DATE      | APVD  |
|           | A   | INITIAL       | 14NOV2016 | BS CW |
|           | A1  | ECR-17-012938 | 06SEP2017 | BS CW |

| PART NUMBER<br>料号 | PART DESCRIPTION<br>描述   | ∅d1  | ∅d2  | L1   | L2   | C1  | C2   | WIRE GAUGE<br>线规 (mm <sup>2</sup> ) | STRIPPING LENGTH<br>剥线长度 (mm) | TYPE<br>类型     |
|-------------------|--|------|------|------|------|-----|------|-------------------------------------|-------------------------------|----------------|
| T2193502035-000   | HCM350-FC-35<br>HCM350 SOCKET CONTACT, CRIMP, 35mm <sup>2</sup> , SILVER PLATING<br>HCM 350 母针, 冷压, 35mm <sup>2</sup> , 镀银           | 8.2  | 12.5 | 57   | 26   | 7   | 20   | 35                                  | 26                            | TYPE 1<br>类型 1 |
| T2193502050-000   | HCM350-FC-50<br>HCM350 SOCKET CONTACT, CRIMP, 50mm <sup>2</sup> , SILVER PLATING<br>HCM 350 母针, 冷压, 50mm <sup>2</sup> , 镀银           | 10   | 14.5 | 59.5 | 28.5 | 7   | 22   | 50                                  | 28                            |                |
| T2193502070-000   | HCM350-FC-70<br>HCM350 SOCKET CONTACT, CRIMP, 70mm <sup>2</sup> , SILVER PLATING<br>HCM 350 母针, 冷压, 70mm <sup>2</sup> , 镀银           | 11.5 | 16.5 | 59.5 | 28.5 | 5   | 22   | 70                                  | 28                            |                |
| T2193502095-000   | HCM350-FC-95<br>HCM350 SOCKET CONTACT, CRIMP, 95mm <sup>2</sup> , SILVER PLATING<br>HCM 350 母针, 冷压, 95mm <sup>2</sup> , 镀银           | 13.5 | 19   | 62.5 | 30.5 | 5   | 23   | 95                                  | 30                            |                |
| T2193502120-000   | HCM350-FC-120<br>HCM350 SOCKET CONTACT, CRIMP, 120mm <sup>2</sup> , SILVER PLATING<br>HCM 350 母针, 冷压, 120mm <sup>2</sup> , 镀银        | 15.5 | 21   | 62.5 | 24   | 3.5 | 20.5 | 120                                 | 24                            | TYPE 2<br>类型 2 |
| T2193502050-001   | HCM350-FC-50<br>HCM350 SOCKET CONTACT, CRIMP, 50mm <sup>2</sup> , SILVER PLATING (d2)<br>HCM 350 母针, 冷压, 50mm <sup>2</sup> , 镀银 (d2) | 10   | 14   | 59.5 | 28.5 | 7   | 22   | 50                                  | 28                            | TYPE 3<br>类型 3 |

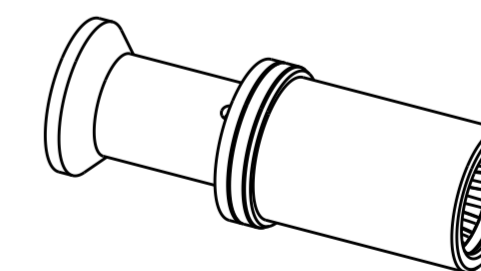
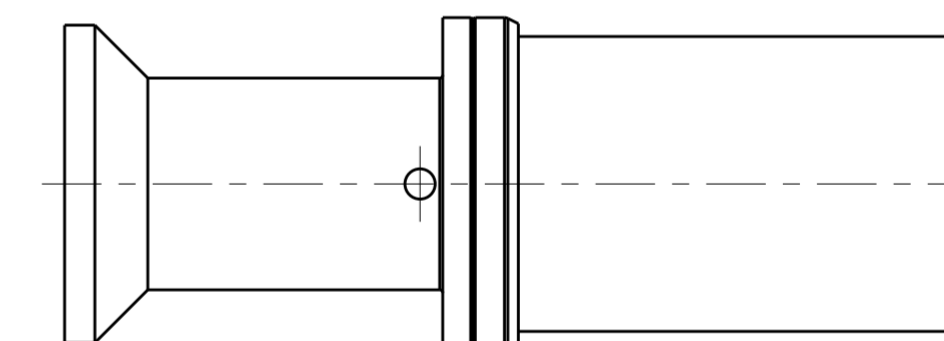
NOTES:  
 1. TECHNICAL CHARACTERISTICS:  
 CONTACT MATERIAL: COPPER  
 SURFACE PLATING: SILVER PLATING: >= 5µm  
 CONTACT RESISTANCE: <=1 mΩ  
 WIRE RANGE: 35-120 mm<sup>2</sup>

注释:  
 1. 技术参数:  
 针件材料: 纯铜  
 表面电镀: 镀银: >= 5µm  
 接触电阻: <=1 mΩ  
 接线范围: 35-120 mm<sup>2</sup>

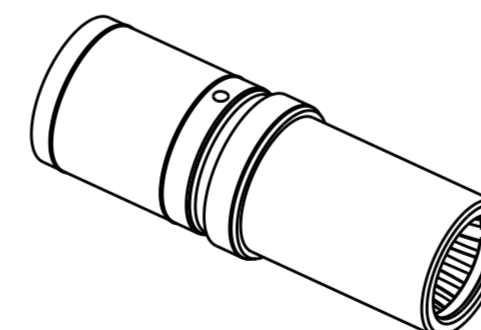
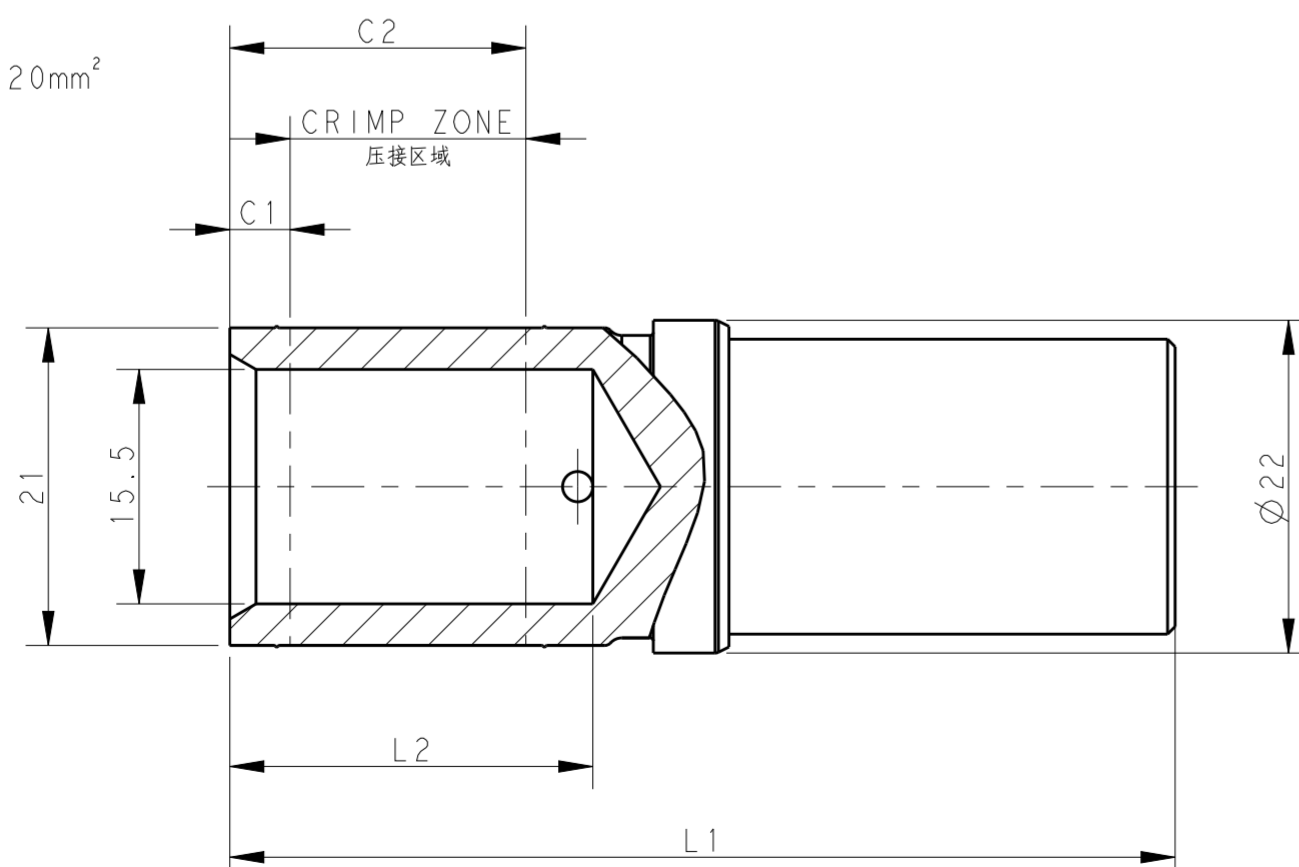
TYPE 1: FOR WIRE GAUGE 35-95mm<sup>2</sup>  
 类型 1: 适用于导线范围 35-95mm<sup>2</sup>



TYPE 3: FOR WIRE GAUGE 50mm<sup>2</sup>. OTHER SPEC. REFER TO TYPE 1 (50mm<sup>2</sup>)  
 类型 3: 适用于导线范围 50mm<sup>2</sup>, 其他规格尺寸参照类型1 (50mm<sup>2</sup>)



TYPE 2: FOR WIRE GAUGE 120mm<sup>2</sup>  
 类型 2: 适用于导线范围 120mm<sup>2</sup>



|  |  |                                 |                                  |                                |
|--|--|---------------------------------|----------------------------------|--------------------------------|
| THIS DRAWING IS A CONTROLLED DOCUMENT. |  | DWN<br>BELL SU<br>14NOV2016     | <b>STE</b> TE Connectivity       |                                |
| DIMENSIONS:<br>mm                      |  | CHK<br>KYLE ZENG<br>14NOV2016   |                                  |                                |
| TOLERANCES UNLESS OTHERWISE SPECIFIED: |  | APVD<br>CHRIS WANG<br>14NOV2016 | NAME<br>HCM350<br>SOCKET CONTACT |                                |
| 0 PLC ±                                |  | PRODUCT SPEC<br>108-137073      | SIZE<br>A2                       |                                |
| 1 PLC ±                                |  | APPLICATION SPEC<br>114-137073  | CAGE CODE<br>-                   | DRAWING NO<br>G-T2193502XXX000 |
| 2 PLC ±                                |  | WEIGHT<br>-                     | RESTRICTED TO<br>-               |                                |
| 3 PLC ±                                |  | CUSTOMER DRAWING                | SCALE<br>1:1                     | SHEET<br>1 OF 1                |
| 4 PLC ±                                |  |                                 | REV<br>A1                        |                                |
| ANGLES ±                               |  |                                 |                                  |                                |
| FINISH -                               |  |                                 |                                  |                                |