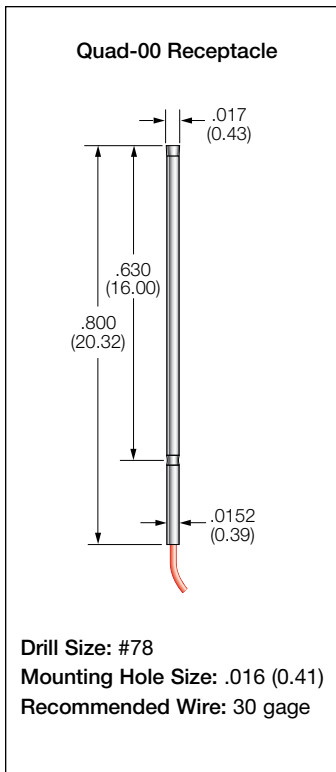


.020 Centers Quad 00

QUAD-00 PROBE



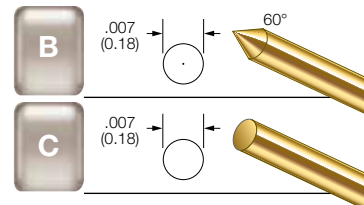
PROBE SPECIFICATIONS

Minimum Centers: .020 (0.51)
 Current Rating: 0.3 amps continuous
 Spring Force: 0.75 oz. (21g) @ .067 (1.70) travel
 Preload Force: 0.23 oz. (6.5g)
 Typical Resistance: < 160 mΩ
 Maximum Travel: .100 (2.54)
 Working Travel: .067 (1.70)

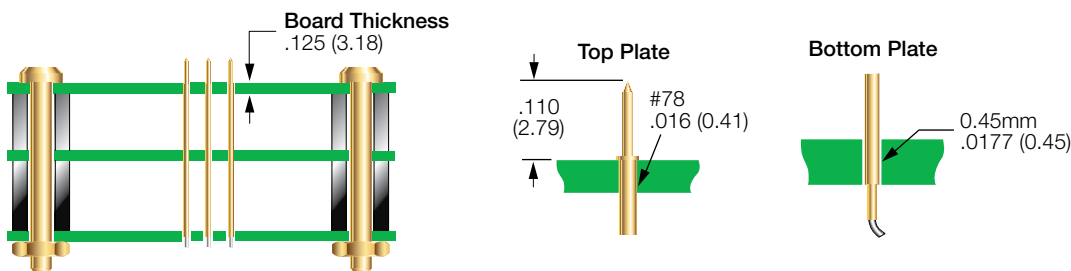
MATERIALS

Barrel: Gold alloy
 Spring: Music wire, gold plated
 Plunger: Steel, gold plated over nickel
 Receptacle: Nickel/silver, gold lined inside

STEEL PLUNGER TIPS



FIXTURING OPTIONS



RECEPTACLE OPTIONS

Part Number	Style	Receptacle Length	Probe/Receptacle Combined Length
Quad-00-Rec*	Preattached Wire	0.800 (20.32)	0.910 (23.11)

* Unless otherwise specified, wire length 36", strip length 1", 30 gage wire preattached

HOW TO ORDER: SPRING CONTACT PROBE

QUAD-00B

SERIES & TIP
 00B: SPEAR POINT
 00C: FLAT TIP

RECEPTACLE

QUAD-00REC

SERIES

36

WIRE LENGTH
(IN INCHES)

1

STRIP LENGTH
(IN INCHES)

* UNLESS OTHERWISE SPECIFIED, WIRE LENGTH 36", STRIP LENGTH 1", 30 GAGE WIRE PREATTACHED. 12" & 36" STANDARD.

VIEW UPDATES OF THIS INFORMATION AT WWW.IDINET.COM

Specifications subject to change without notice. Dimensions in inches (millimeters)