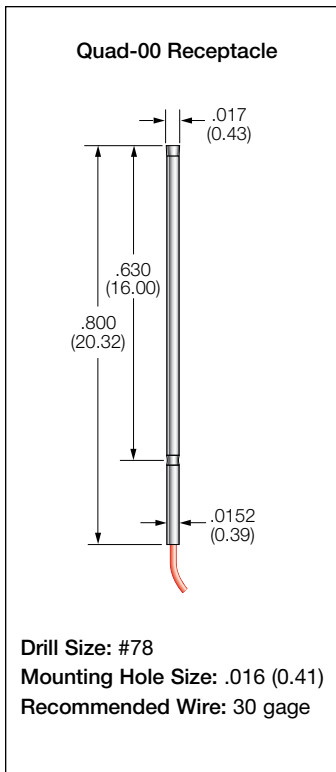


# .020 Centers Quad 00

## QUAD-00 PROBE



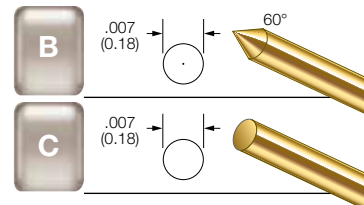
## PROBE SPECIFICATIONS

Minimum Centers: .020 (0.51)  
 Current Rating: 0.3 amps continuous  
 Spring Force: 0.75 oz. (21g) @ .067 (1.70) travel  
 Preload Force: 0.23 oz. (6.5g)  
 Typical Resistance: < 160 mΩ  
 Maximum Travel: .100 (2.54)  
 Working Travel: .067 (1.70)

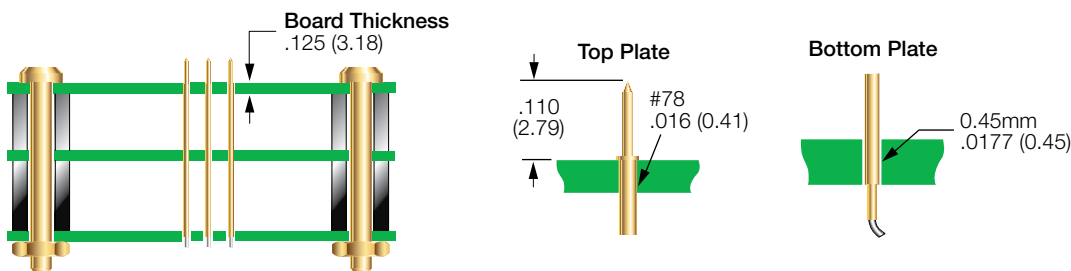
## MATERIALS

Barrel: Gold alloy  
 Spring: Music wire, gold plated  
 Plunger: Steel, gold plated over nickel  
 Receptacle: Nickel/silver, gold lined inside

## STEEL PLUNGER TIPS



## FIXTURING OPTIONS



## RECEPTACLE OPTIONS

Part Number	Style	Receptacle Length	Probe/Receptacle Combined Length
Quad-00-Rec*	Preattached Wire	0.800 (20.32)	0.910 (23.11)

\* Unless otherwise specified, wire length 36", strip length 1", 30 gage wire preattached

## HOW TO ORDER: SPRING CONTACT PROBE

**QUAD-00B**

SERIES & TIP  
 00B: SPEAR POINT  
 00C: FLAT TIP

## RECEPTACLE

**QUAD-00REC**

SERIES

**36**

WIRE LENGTH  
(IN INCHES)

**1**

STRIP LENGTH  
(IN INCHES)

\* UNLESS OTHERWISE SPECIFIED, WIRE LENGTH 36", STRIP LENGTH 1", 30 GAGE WIRE PREATTACHED. 12" & 36" STANDARD.

VIEW UPDATES OF THIS INFORMATION AT [WWW.IDINET.COM](http://WWW.IDINET.COM)

Specifications subject to change without notice. Dimensions in inches (millimeters)