



On when
it counts.



Application

- Main power indication
- Remote power indication
- Status indication
- Maintenance and warning indication
- Instrumentation

...and many more!

Certifications & Ratings

- RoHS compliant
- NEMA 4X
- IP66

Features & Benefits

- Low power consumption - uses up to 90% less energy than an incandescent indicator
- No heat generated
- Long life, lasting up to 100K hours
- Colors include red, green, orange, and blue
- Front panel mounting
- LED can be recessed, protrude, and internal from housing

Mechanical Information:

| | |
|-----------------------------|--|
| Mounting hole size: | 0.283" (7.2mm) |
| Max panel thickness: | See part numbers |
| Mounting torque: | 0.362 lbs/ft (5 kg/cm) Figure 3 only - 0.217 lbs/ft (3 kg/cm) |

Electrical Specifications:

| | |
|-------------------------------|---------------------------------------|
| Operating voltage: | 6, 12 & 24 VDC (no resistor required) |
| Operating temperature: | -4°F to +167°F (-20°C to +75°C) |
| Storage temperature: | -40°F to +212°F (-40°C to +100°C) |
| Electrical connection: | Solder terminals and 6" wire leads |

Construction:

| | |
|-----------------|--|
| Housing: | Protruding & recessed positions; Chrome plated brass; Polycarbonate |
|-----------------|--|

All values typical unless otherwise stated



Panel Mount Indicator Dimensions

Figure 1

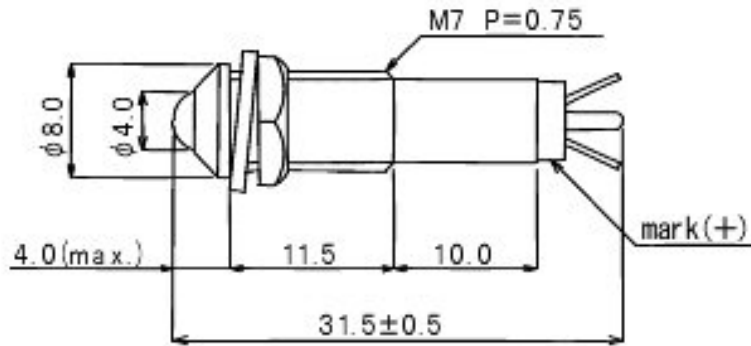


Figure 2

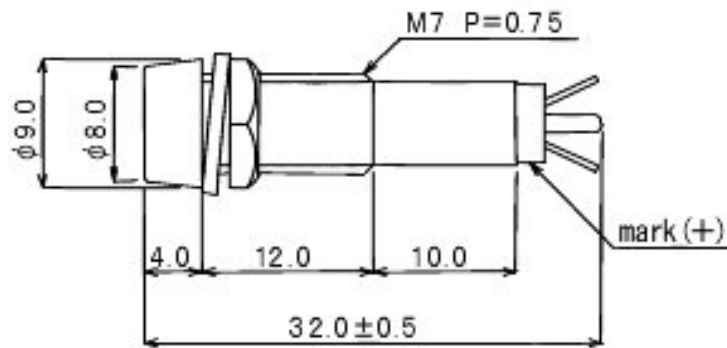
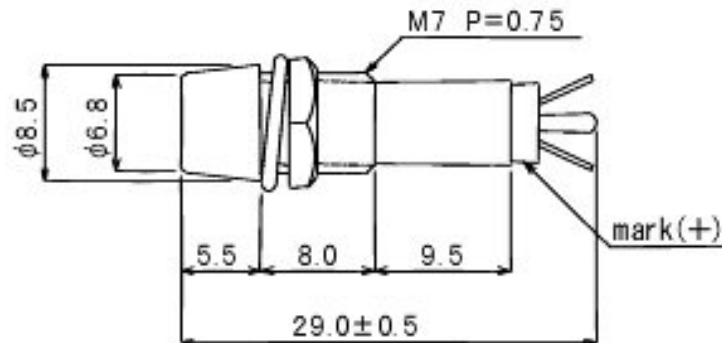


Figure 3



Dimensions are in mm

| Part Number | Color | Voltage (VDC) | Current (mA) | Typical Intensity (mcd) | LED Positions | Figure | Panel Thickness |
|---------------|--------|---------------|--------------|-------------------------|---------------|--------|--------------------|
| 677-1112-321F | RED | 6 | 20 | 825 | PROTRUDING | 1 | 0.265" (6.76mm) |
| 677-1212-322F | GREEN | 6 | 20 | 4135 | PROTRUDING | 1 | |
| 677-1312-323F | ORANGE | 6 | 20 | 560 | PROTRUDING | 1 | |
| 677-1412-324F | BLUE | 6 | 20 | 700 | PROTRUDING | 1 | |
| 677-1112-331F | RED | 12 | 20 | 825 | PROTRUDING | 1 | |
| 677-1212-332F | GREEN | 12 | 20 | 4135 | PROTRUDING | 1 | |
| 677-1312-333F | ORANGE | 12 | 20 | 560 | PROTRUDING | 1 | |
| 677-1412-334F | BLUE | 12 | 20 | 700 | PROTRUDING | 1 | |
| 677-1112-341F | RED | 24 | 20 | 825 | PROTRUDING | 1 | |
| 677-1212-342F | GREEN | 24 | 20 | 4135 | PROTRUDING | 1 | |
| 677-1312-343F | ORANGE | 24 | 20 | 560 | PROTRUDING | 1 | |
| 677-1412-344F | BLUE | 24 | 20 | 700 | PROTRUDING | 1 | |
| 677-2112-321F | RED | 6 | 20 | 925 | RECESSED | 2 | 0.366" (8.50mm) |
| 677-2212-322F | GREEN | 6 | 20 | 4135 | RECESSED | 2 | |
| 677-2312-323F | ORANGE | 6 | 20 | 600 | RECESSED | 2 | |
| 677-2412-324F | BLUE | 6 | 20 | 730 | RECESSED | 2 | |
| 677-2112-331F | RED | 12 | 20 | 925 | RECESSED | 2 | |
| 677-2212-332F | GREEN | 12 | 20 | 4135 | RECESSED | 2 | |
| 677-2312-333F | ORANGE | 12 | 20 | 600 | RECESSED | 2 | |
| 677-2412-334F | BLUE | 12 | 20 | 730 | RECESSED | 2 | |
| 677-2112-341F | RED | 24 | 20 | 925 | RECESSED | 2 | |
| 677-2212-342F | GREEN | 24 | 20 | 4135 | RECESSED | 2 | |
| 677-2312-343F | ORANGE | 24 | 20 | 600 | RECESSED | 2 | |
| 677-2412-344F | BLUE | 24 | 20 | 730 | RECESSED | 2 | |
| 677-3132-321F | RED | 6 | 20 | 1370 | INTERNAL | 3 | 0.187" (4.75mm) |
| 677-3232-322F | GREEN | 6 | 20 | 5500 | INTERNAL | 3 | |
| 677-3332-323F | ORANGE | 6 | 20 | 1280 | INTERNAL | 3 | |
| 677-3432-324F | BLUE | 6 | 20 | 1200 | INTERNAL | 3 | |
| 677-3132-331F | RED | 12 | 20 | 1370 | INTERNAL | 3 | |
| 677-3232-332F | GREEN | 12 | 20 | 5500 | INTERNAL | 3 | |
| 677-3332-333F | ORANGE | 12 | 20 | 1280 | INTERNAL | 3 | |
| 677-3432-334F | BLUE | 12 | 20 | 1200 | INTERNAL | 3 | |
| 677-3132-341F | RED | 24 | 20 | 1370 | INTERNAL | 3 | |
| 677-3232-342F | GREEN | 24 | 20 | 5500 | INTERNAL | 3 | |
| 677-3332-343F | ORANGE | 24 | 20 | 1280 | INTERNAL | 3 | |
| 677-3432-344F | BLUE | 24 | 20 | 1200 | INTERNAL | 3 | |

*For wire leads replace the 7th digit with "5". For example 679-1115-321F

Dialight reserves the right to make changes at any time in order to supply the best product possible. The most current version of this document will always be available at: www.dialight.com/Assets/Brochures_And_Catalogs/Illumination/MDEL677CR.pdf

Warranty Statement: EXCEPT FOR THE WARRANTY EXPRESSLY PROVIDED FOR [HEREIN/ABOVE/BELOW], DIALIGHT DISCLAIMS ANY AND ALL OTHER WARRANTIES, EXPRESS OR IMPLIED, INCLUDING, WITHOUT LIMITATION, ANY WARRANTIES OF MERCHANTABILITY, FITNESS FOR A PARTICULAR PURPOSE, TITLE, AND NON-INFRINGEMENT.