

4

3

2

1

THIS DRAWING IS UNPUBLISHED.		RELEASED FOR PUBLICATION	
© COPYRIGHT - By -		ALL RIGHTS RESERVED.	
PROJECT	PRJ-16-000909157		
PART NO.	X-2308346-X		
DESCRIPTION	FULL METAL HOODS SIZE 5		
CUSTOMER	GENERAL MARKET		

REVISIONS					
P	LTR	DESCRIPTION	DATE	DWN	APVD
	A1	REVISED PER ECR-16-013123	19SEP2016	KK	GG

D

D

C

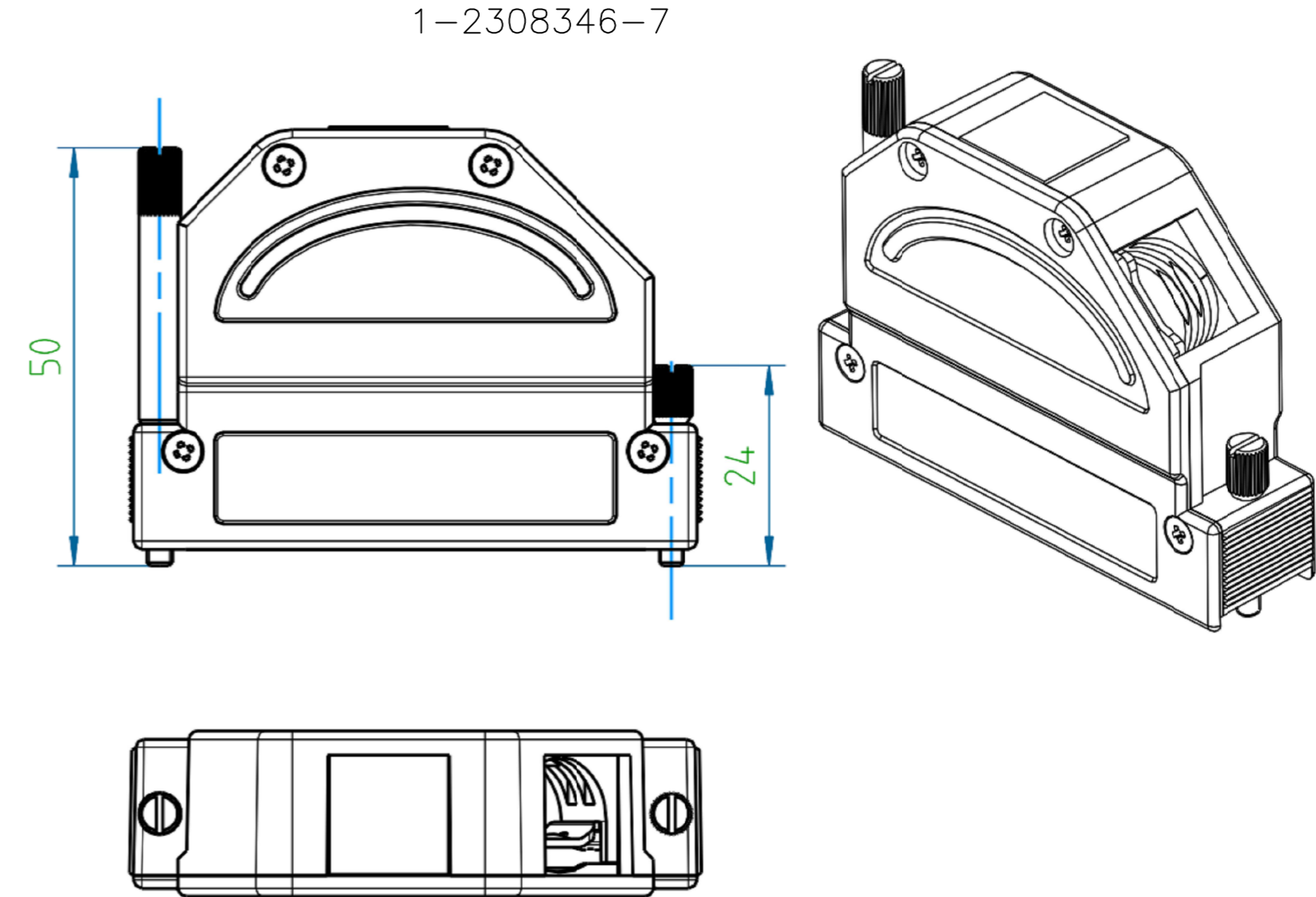
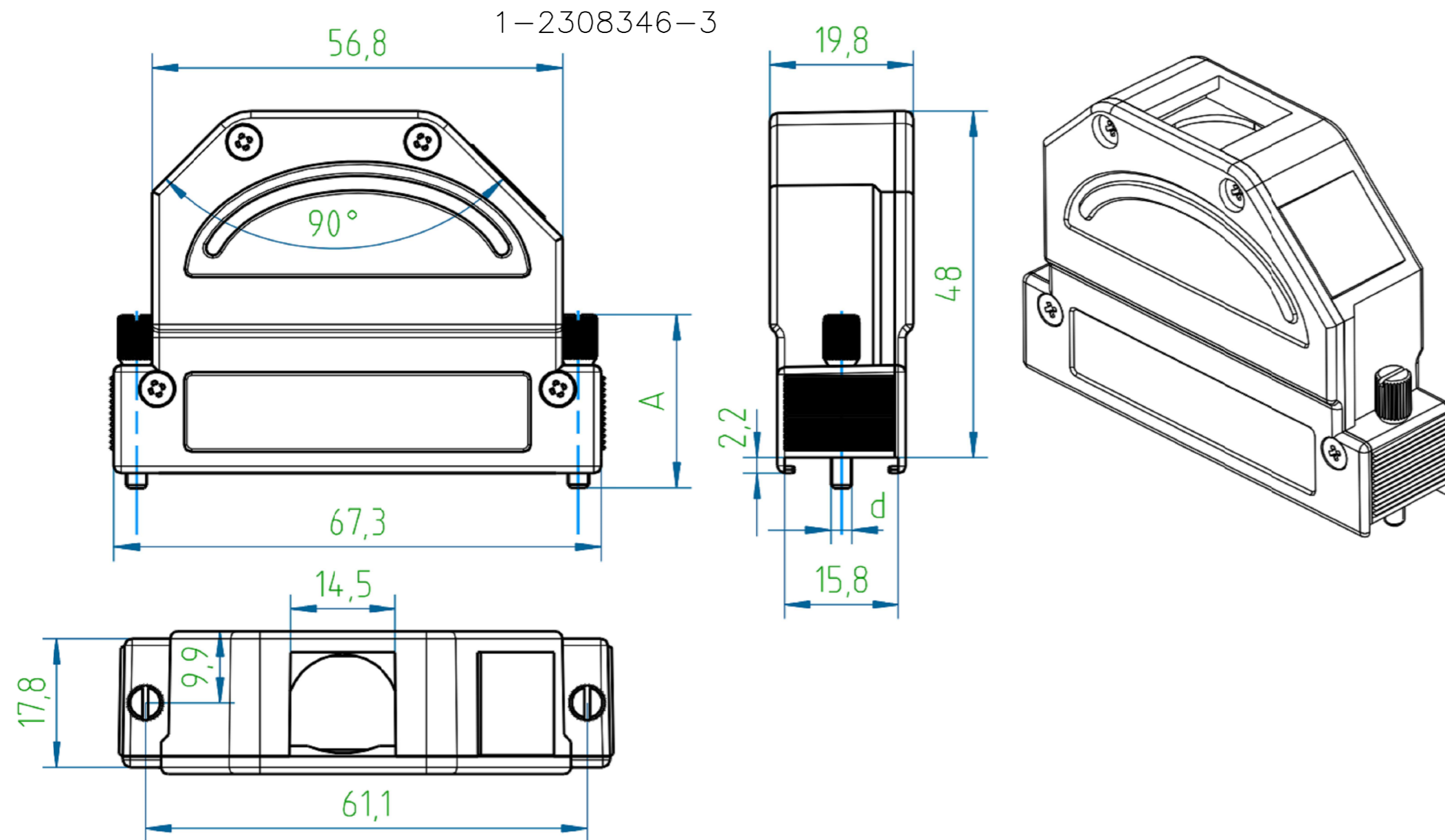
C

B

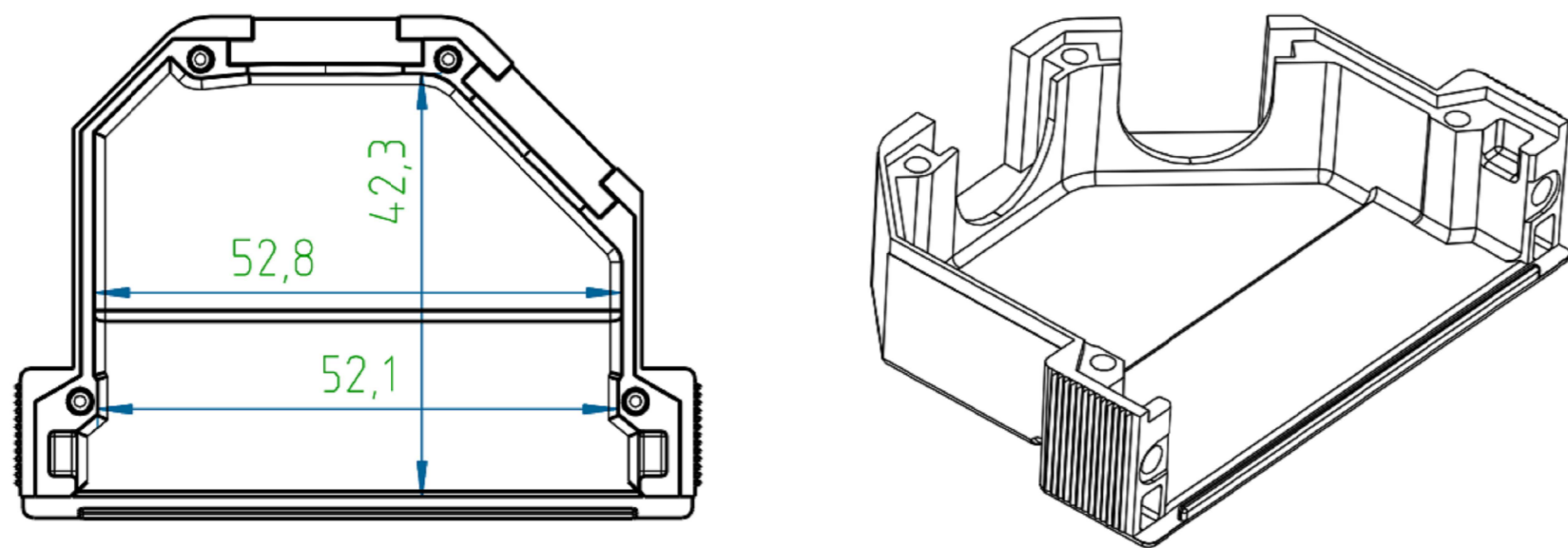
B

A

A



Case



NOTES:

FINISH:

- 1-2308346-1 TO 1-2308346-8 - CASE RAW
- 1-2308346-9 TO 2-2308346-6 - CASE NICKEL-PLATED
- LOCKING SCREWS: NICKEL-PLATED
OTHER SCREWS: ZINC-PLATED
- TEMPERATURE RANGE: -40°C TO +90°C
- CABLE DIAMETER WITH EXTERNAL DIAMETER CABLE CLAMP: 8-16 mm.
- STRAND DIAMETER OF CRIMP FLANGE: 3.7-10.7 mm.

THIS DRAWING IS A CONTROLLED DOCUMENT.		DWN KIRAN K 29JUL2016	TE Connectivity	
DIMENSIONS: mm		CHK GUNASEKHAR G 29JUL2016		
TOLERANCES UNLESS OTHERWISE SPECIFIED: DIN ISO 2768-m DIN 16901 130B		APVD GUNASEKHAR G 29JUL2016	NAME FULL METAL HOODS SIZE 5	
0 PLC ± - 1 PLC ± - 2 PLC ± - 3 PLC ± - 4 PLC ± - ANGLES ± -		PRODUCT SPEC	RESTRICTED TO	
MATERIAL		APPLICATION SPEC	SIZE A2	CAGE CODE 00779
FINISH		WEIGHT	DRAWING NO G=2308346	REV A1
		CUSTOMER DRAWING	SCALE NTS	SHEET 1 of 2

THIS DRAWING IS UNPUBLISHED.

RELEASED FOR PUBLICATION

-. - .

© COPYRIGHT - By -

ALL RIGHTS RESERVED.

REVISIONS

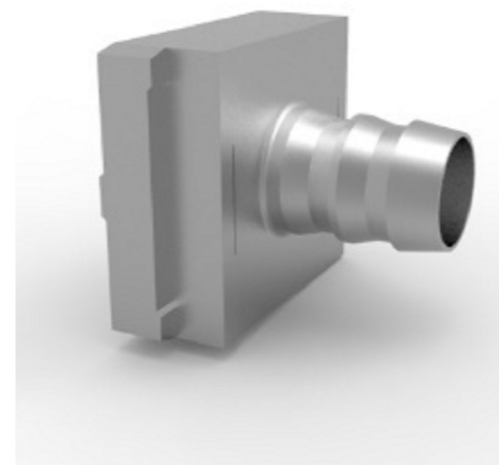
P	LTR	DESCRIPTION	DATE	DWN	APVD
-	-	SEE SHEET 1	-	-	-

PART NO.	DESCRIPTION	SUB-PART NO.	DESCRIPTION	A	d	WEIGHT, g
1-2308346-8	FULL METAL HOODS SIZE5-8	1-2308334-6	LOCKING SCREW (M3 LONG KNURLED)	S OVER	M3	98
1-2308346-7	FULL METAL HOODS SIZE5-7	1-2308334-5	LOCKING SCREW (4-40 UNC LONG KNURLED)		4-40 UNC	98
1-2308346-6	FULL METAL HOODS SIZE5-6	1-2308334-6	LOCKING SCREW (M3 LONG KNURLED)	50.0	M3	102
1-2308346-5	FULL METAL HOODS SIZE5-5	1-2308334-5	LOCKING SCREW (4-40 UNC LONG KNURLED)	50.0	4-40 UNC	102
1-2308346-4	FULL METAL HOODS SIZE5-4	1-2308334-4	LOCKING SCREW (M3 SHORT KNURLED)	24.0	M3	94
1-2308346-3	FULL METAL HOODS SIZE5-3	1-2308334-3	LOCKING SCREW (4-40 UNC SHORT KNURLED)	24.0	4-40 UNC	94
1-2308346-2	FULL METAL HOODS SIZE5-2	1-2308334-2	LOCKING SCREW (M3 W/SPRING WASHER)	20.7	M3	93
1-2308346-1	FULL METAL HOODS SIZE5-1	1-2308334-1	LOCKING SCREW (4-40 UNC W/SPRING WASHER)	20.7	4-40 UNC	93
PART NO. (CASE RAW)				LOCKING SCREWS		

PART NO.	DESCRIPTION	SUB-PART NO.	DESCRIPTION	A	d	WEIGHT, g
2-2308346-6	FULL METAL HOODS SIZE5-16	1-2308334-6	LOCKING SCREW (M3 LONG KNURLED)	S OVER	M3	98
2-2308346-5	FULL METAL HOODS SIZE5-15	1-2308334-5	LOCKING SCREW (4-40 UNC LONG KNURLED)		4-40 UNC	98
2-2308346-4	FULL METAL HOODS SIZE5-14	1-2308334-6	LOCKING SCREW (M3 LONG KNURLED)	50.0	M3	102
2-2308346-3	FULL METAL HOODS SIZE5-13	1-2308334-5	LOCKING SCREW (4-40 UNC LONG KNURLED)	50.0	4-40 UNC	102
2-2308346-2	FULL METAL HOODS SIZE5-12	1-2308334-4	LOCKING SCREW (M3 SHORT KNURLED)	24.0	M3	94
2-2308346-1	FULL METAL HOODS SIZE5-11	1-2308334-3	LOCKING SCREW (4-40 UNC SHORT KNURLED)	24.0	4-40 UNC	94
2-2308346-0	FULL METAL HOODS SIZE5-10	1-2308334-2	LOCKING SCREW (M3 W/SPRING WASHER)	20.7	M3	93
1-2308346-9	FULL METAL HOODS SIZE5-9	1-2308334-1	LOCKING SCREW (4-40 UNC W/SPRING WASHER)	20.7	4-40 UNC	93
PART NO. (CASE Ni-PLATED)				LOCKING SCREWS		

NOTE:

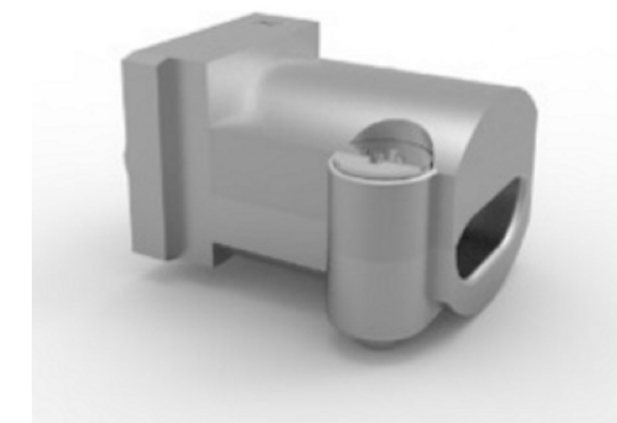
- * CRIMP FLANGE PN *-2308348-* TO BE ORDERED SEPARATELY.
- * CRIMP BARREL TO BE USED IN COMBINATION WITH THE FLANGE PN *-2308350-* TO BE ORDERED SEPARATELY.
- * CABLE CLAMP SCREW VERSION PN *-2308272-* TO BE ORDERED SEPARATELY.



CRIMP FLANGE



CRIMP BARREL



CABLE CLAMP

THIS DRAWING IS A CONTROLLED DOCUMENT.		DWN KIRAN K 29JUL2016		
DIMENSIONS: mm		CHK GUNASEKHAR G 29JUL2016		
TOLERANCES UNLESS OTHERWISE SPECIFIED: DIN ISO 2768-m DIN 16901 130B		APVD GUNASEKHAR G 29JUL2016	NAME FULL METAL HOODS SIZE 5	
		PRODUCT SPEC	SIZE A2	
MATERIAL		APPLICATION SPEC	CAGE CODE 00779	DRAWING NO G=2308346
FINISH		WEIGHT	SCALE NTS	SHEET 2 of 2
		CUSTOMER DRAWING	RESTRICTED TO	REV A1