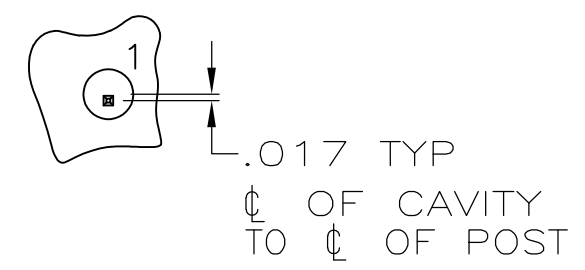
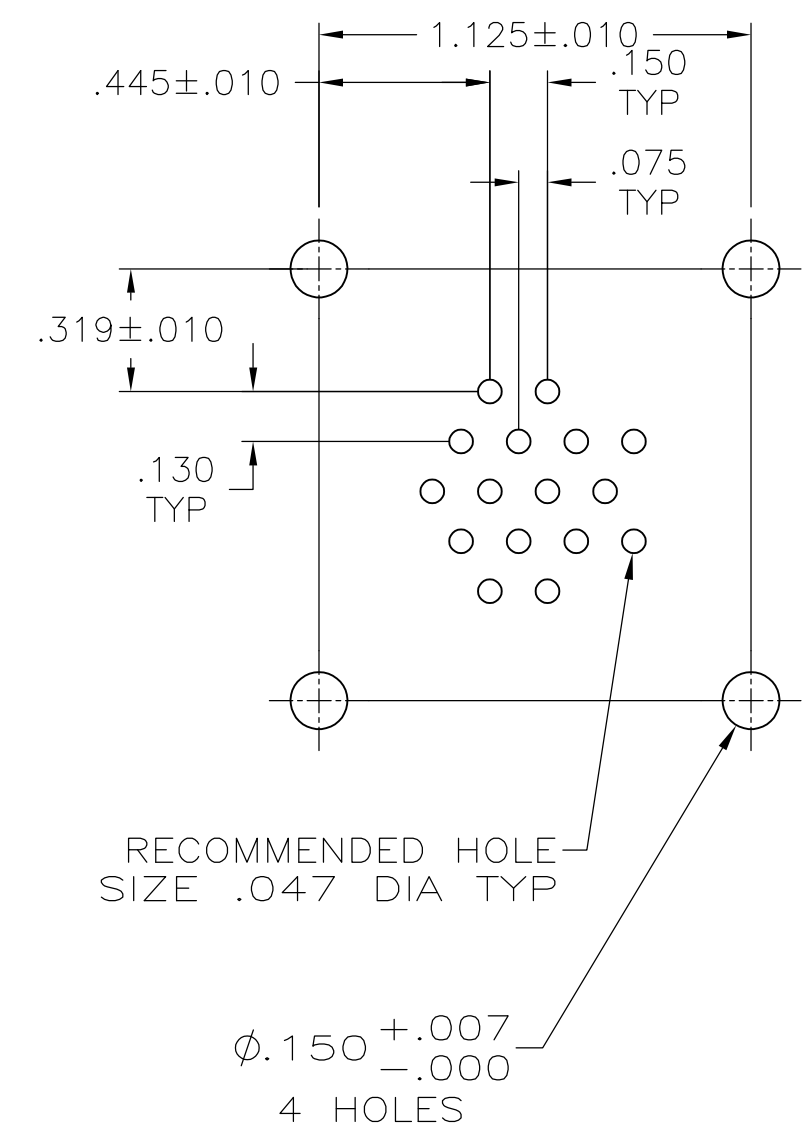
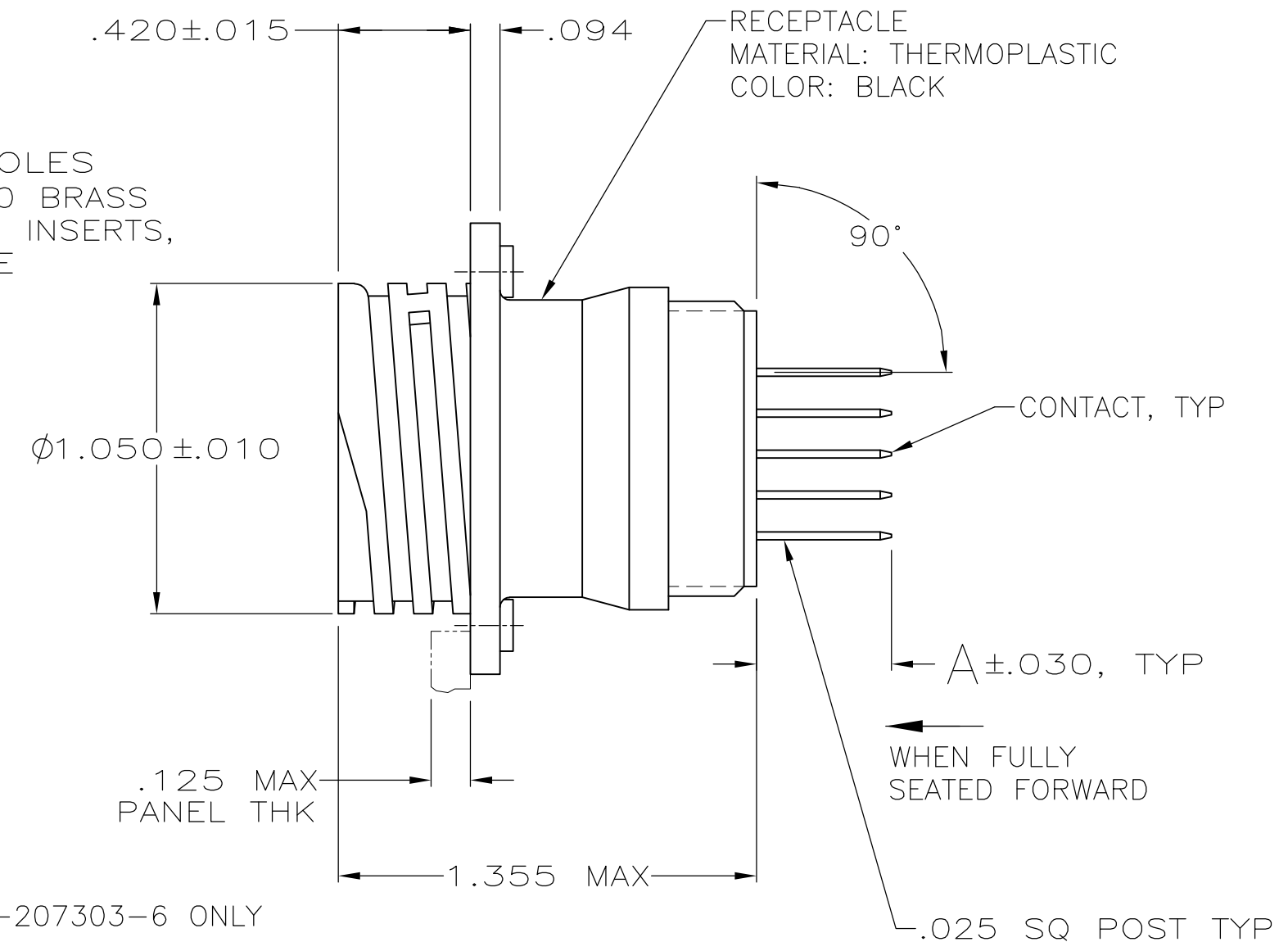
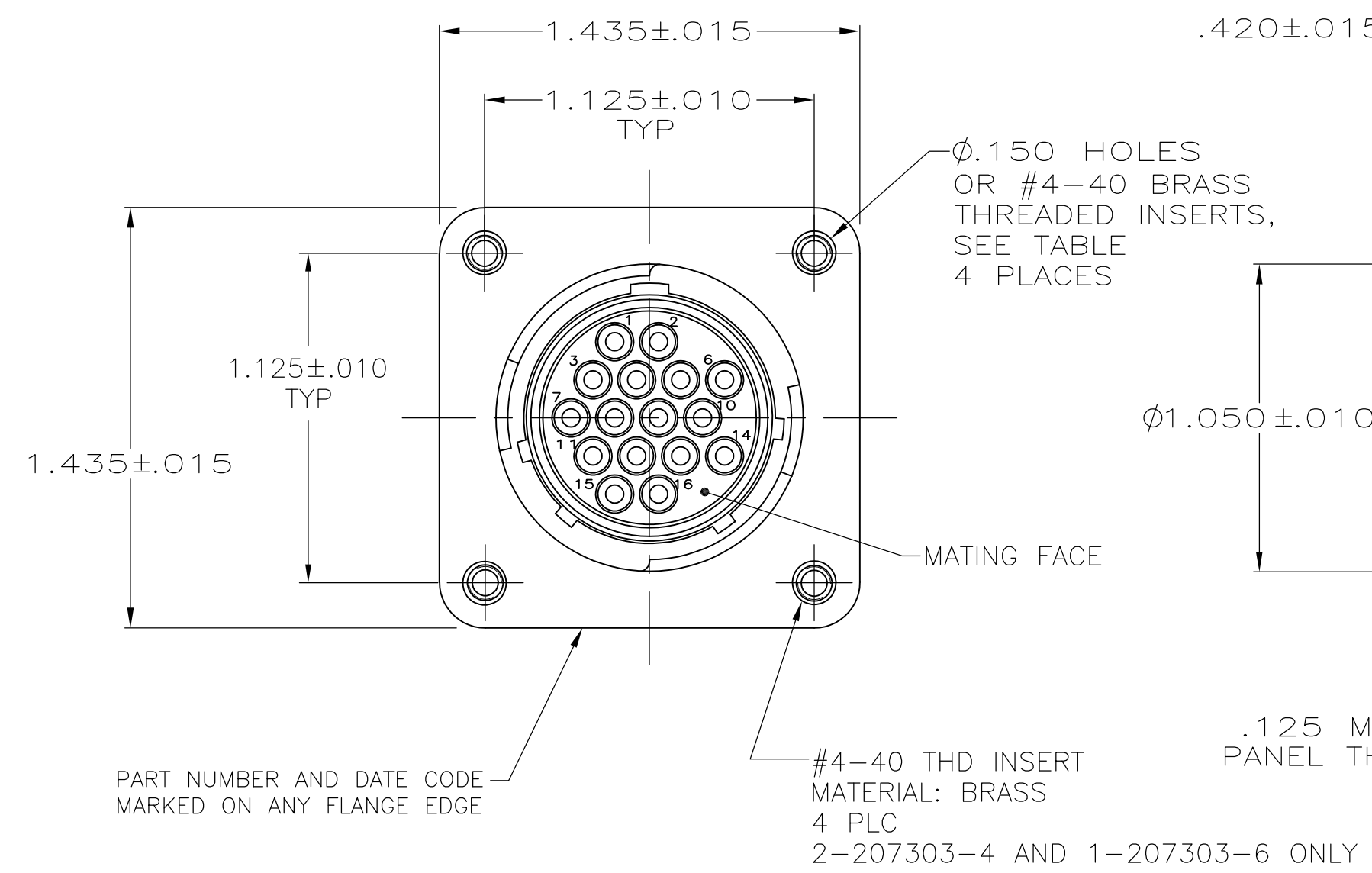


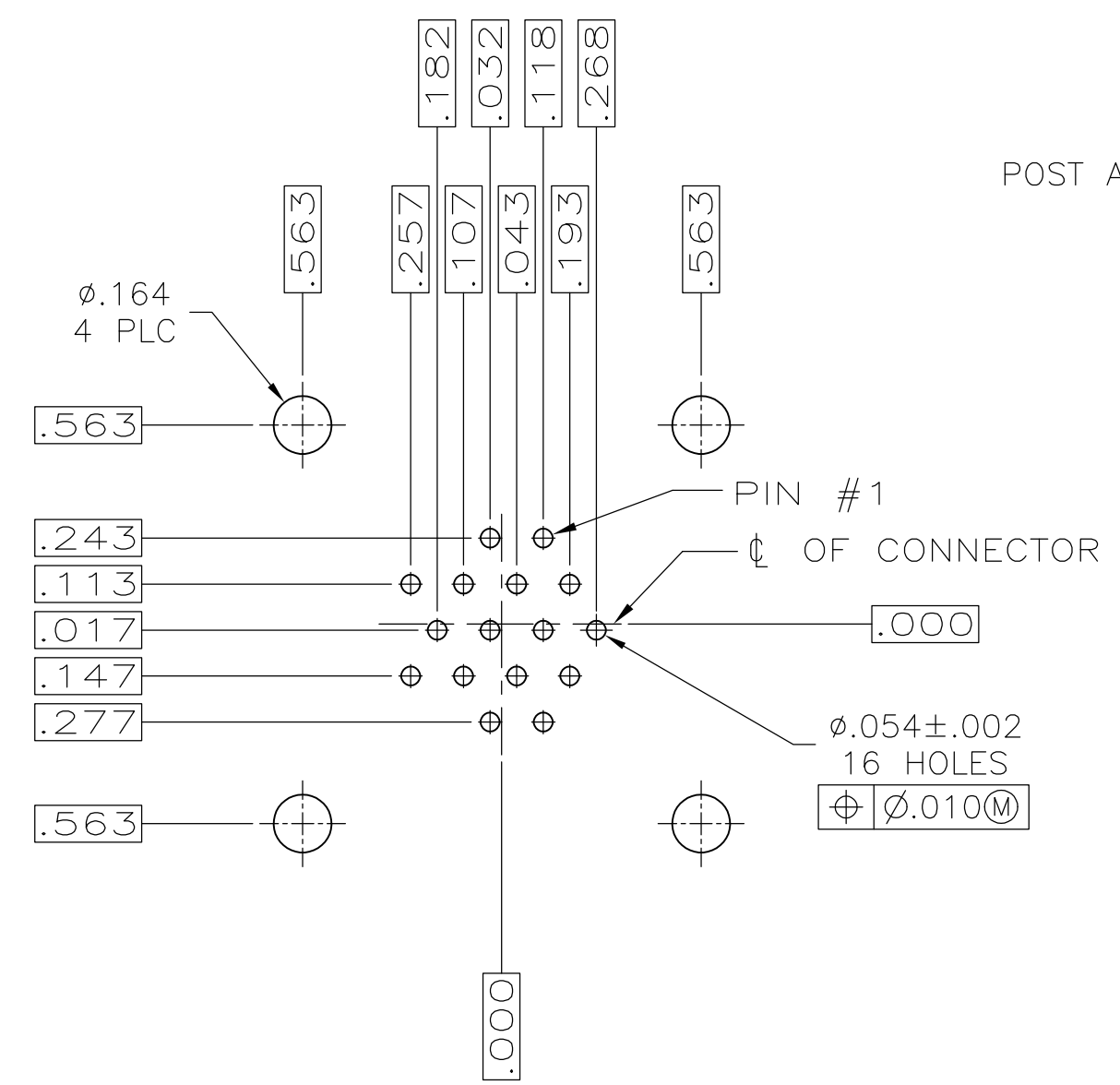
THIS DRAWING IS UNPUBLISHED. RELEASED FOR PUBLICATION
 © COPYRIGHT - By - ALL RIGHTS RESERVED.

| REVISIONS | | | | | |
|-----------|-----|---------------------------|-----------|-----|------|
| P | LTR | DESCRIPTION | DATE | DWN | APVD |
| U2 | | REVISED PER ECO-13-017833 | 12FEB2014 | NK | MZ |
| V | | REVISED PER ECO-17-004657 | 06APR2017 | BDA | MZ |



POST ARRANGEMENT ON REAR FACE

- 1 CONNECTOR WILL ACCEPT POSTED TYPE III+ PIN CONTACTS.
- 2 OBSOLETE PARTS: OBSOLETE CIS STREAMLINING PER D.RENAUD/D.SINISI
- 3 .000030 MIN PRECIOUS METAL PLATE ON MATING END FOR A LENGTH OF .200 MIN OVER .000050 MIN NICKEL PLATE. GOLD FLASH ALL OVER. CONFORMS TO THE REQUIREMENTS OF TE CONNECTIVITY PRODUCT SPEC 108-10042, BASED ON EIA/ECA-364-1000.01A (CONTROLLED ENVIRONMENTAL APPLICATIONS.)



RECOMMENDED P.C. BOARD LAYOUT
 BOTTOM NON-COMPONENT SIDE

| | | | | | | |
|-----------------|------------------|---------------------|---------------------|------|-------------|------------|
| OBSOLETE | NO | YES | TIN | 3 | .130 | 1-207303-7 |
| | NO | YES | TIN | 3 | .119 | 1-207303-6 |
| | NO | NO | TIN | TIN | .220 | 1-207303-5 |
| | NO | YES | TIN | 3 | .220 | 1-207303-4 |
| | NO | NO | TIN | 3 | .220 | 1-207303-3 |
| OBSOLETE | YES | NO | TIN-LEAD | 3 | .220 | 1-207303-2 |
| | NO | YES | TIN-LEAD | GOLD | .220 | 1-207303-1 |
| | NO | NO | TIN-LEAD | 3 | .220 | 207303-3 |
| | NO | NO | TIN-LEAD | TIN | .220 | 207303-1 |
| PERIPHERAL SEAL | THREADED INSERTS | CONTACT POST FINISH | CONTACT BODY FINISH | A | PART NUMBER | |

2 SUPERSEDED BY 1-207303-4

THIS DRAWING IS A CONTROLLED DOCUMENT.

| | | |
|------------------|-----------------|------------|
| DWN | R.LEE BG | 7-2-91 |
| CHK | W.G.LENKER | 4-14-92 |
| APVD | - | - |
| NAME | TE Connectivity | |
| PRODUCT SPEC | 108-10024 | |
| APPLICATION SPEC | - | |
| SIZE | CAGE CODE | DRAWING NO |
| WEIGHT | A2 00779 | C=207303 |
| CUSTOMER DRAWING | SCALE | SHEET |
| | 2:1 | 1 of 1 |