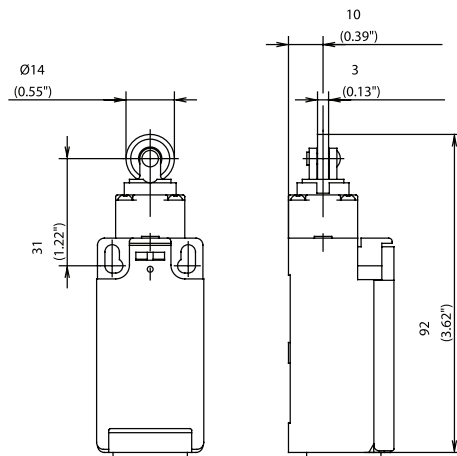


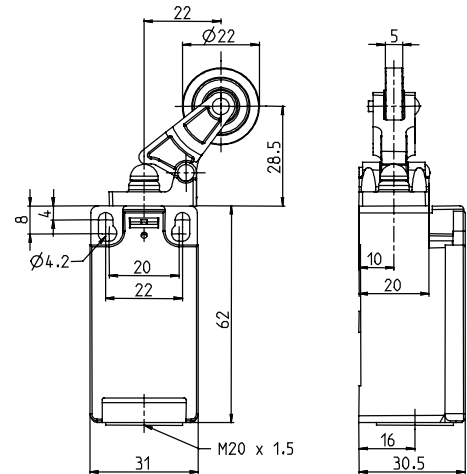
**I88 Series**



**RIWL**



**KNW RO22**

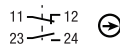


**Switching Operation**

**1 NC / 1 NO Contacts**

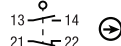
**Slow Action**

**608.6117.050**  
I88-U1Z RIWL



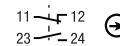
**Snap Action**

**608.6167.051**  
I88-SU1Z RIWL



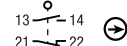
**Slow Action**

**618.6127.112**  
I88-U1Z KNW RO22



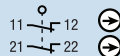
**Snap Action**

**608.6177.053**  
I88-SU1Z KNW RO22



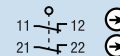
**2 NC Contacts**

**608.6817.072**  
I88-A2Z RIWL



-

**618.6827.246**  
I88-A2Z KNW RO22



**2 NO Contacts**

**608.6817.069**  
I88-E2 RIWL



-

-

-

**1 NC / 1 NO Contacts Overlapping**

-

-

**Replacement actuator:**

**391.8161.673**

**391.8250.682**

**Technical Information**

|                                  | Slow Action          | Snap Action          |
|----------------------------------|----------------------|----------------------|
| Maximum Switching Voltage        | 240V                 | 240V                 |
| Max. Switching Amps (up to)*     | 10A                  | 10A                  |
| B10d (up to)*                    | 20 Million           | 20 Million           |
| Mechanical Service Life (up to)* | 3 x 10 <sup>6</sup>  | 10 x 10 <sup>6</sup> |
| Switching Frequency              | ≤ 100/min            | ≤ 100/min            |
| Operating Temperature            | -30 °C to +80 °C     | -30 °C to +80 °C     |
| Protection Rating                | IP65                 | IP65                 |
| Utilization Category (up to)*    | AC-15, Ue/Ue 240V 3A | AC-15, Ue/Ue 240V 3A |
| Rate Insulation Voltage          | 250VAC               | 250VAC               |

Approvals



**Special features/variants (on request)**

- Available with black enclosure
- With latching function
- With steel roller

|                                  | Slow Action          | Snap Action          |
|----------------------------------|----------------------|----------------------|
| Maximum Switching Voltage        | 240V                 | 240V                 |
| Max. Switching Amps (up to)*     | 10A                  | 10A                  |
| B10d (up to)*                    | 20 Million           | 20 Million           |
| Mechanical Service Life (up to)* | 10 x 10 <sup>6</sup> | 10 x 10 <sup>6</sup> |
| Switching Frequency              | ≤ 100/min            | ≤ 100/min            |
| Operating Temperature            | -30 °C to +80 °C     | -30 °C to +80 °C     |
| Protection Rating                | IP65                 | IP65                 |
| Utilization Category (up to)*    | AC-15, Ue/Ue 240V 3A | AC-15, Ue/Ue 240V 3A |
| Rate Insulation Voltage          | 250VAC               | 250VAC               |



Drawing dimensions in mm