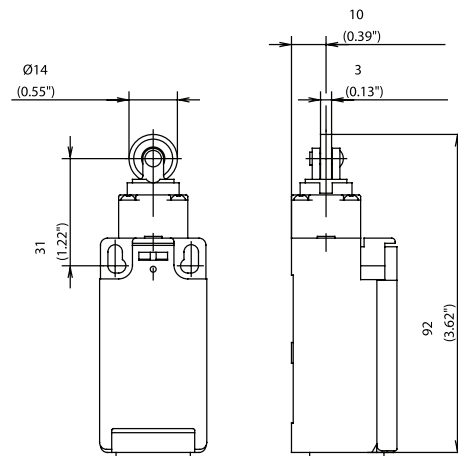


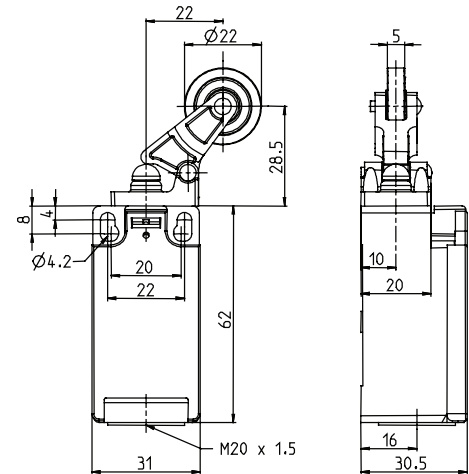
**I88 Series**



**RIWL**



**KNW RO22**

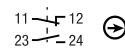


**Switching Operation**

**1 NC / 1 NO Contacts**

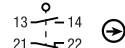
**Slow Action**

**608.6117.050**  
I88-U1Z RIWL



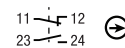
**Snap Action**

**608.6167.051**  
I88-SU1Z RIWL



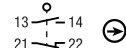
**Slow Action**

**618.6127.112**  
I88-U1Z KNW RO22



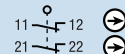
**Snap Action**

**608.6177.053**  
I88-SU1Z KNW RO22



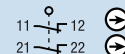
**2 NC Contacts**

**608.6817.072**  
I88-A2Z RIWL



-

**618.6827.246**  
I88-A2Z KNW RO22



**2 NO Contacts**

**608.6817.069**  
I88-E2 RIWL



-

-

-

**1 NC / 1 NO Contacts Overlapping**

-

-

-

-

**Replacement actuator:**

**391.8161.673**

**391.8250.682**

**Technical Information**

	Slow Action	Snap Action
Maximum Switching Voltage	240V	240V
Max. Switching Amps (up to)*	10A	10A
B10d (up to)*	20 Million	20 Million
Mechanical Service Life (up to)*	3 x 10 <sup>6</sup>	10 x 10 <sup>6</sup>
Switching Frequency	≤ 100/min	≤ 100/min
Operating Temperature	-30 °C to +80 °C	-30 °C to +80 °C
Protection Rating	IP65	IP65
Utilization Category (up to)*	AC-15, Ue/Ue 240V 3A	AC-15, Ue/Ue 240V 3A
Rate Insulation Voltage	250VAC	250VAC

Approvals



**Special features/variants (on request)**

- Available with black enclosure
- With latching function
- With steel roller

	Slow Action	Snap Action
Maximum Switching Voltage	240V	240V
Max. Switching Amps (up to)*	10A	10A
B10d (up to)*	20 Million	20 Million
Mechanical Service Life (up to)*	10 x 10 <sup>6</sup>	10 x 10 <sup>6</sup>
Switching Frequency	≤ 100/min	≤ 100/min
Operating Temperature	-30 °C to +80 °C	-30 °C to +80 °C
Protection Rating	IP65	IP65
Utilization Category (up to)*	AC-15, Ue/Ue 240V 3A	AC-15, Ue/Ue 240V 3A
Rate Insulation Voltage	250VAC	250VAC



\* Depending on switching system - see technical information for details

Drawing dimensions in mm