

Main

| | |
|-----------------------------|---|
| Range of product | Harmony XAP |
| Product or component type | Die-cast empty control station |
| Device short name | XAPM |
| Product front plate size | 80 x 175 mm |
| Usable depth | 1.93 in (49 mm) |
| Number of cut-out | Undrilled |
| Colour of base of enclosure | Blue |
| Colour of cover | Blue |
| Material | Zinc alloy |
| Cable entry | 1 hole with blanking plug for cable gland with <= 0.71 in (18 mm) 1 hole without blanking plug for cable gland with <= 0.71 in (18 mm) |
| Product mounting | Flush mounting |
| IP degree of protection | IP65 conforming to IEC 60529 IP69K IP69 conforming to NF C 20-010 |

Complementary

| | |
|----------------|----------------------|
| Product weight | 1.98 lb(US) (0.9 kg) |
|----------------|----------------------|

Environment

| | |
|---------------------------------------|--|
| protective treatment | TC |
| ambient air temperature for storage | -40...158 °F (-40...70 °C) |
| ambient air temperature for operation | -40...158 °F (-40...70 °C) |
| electrical shock protection class | Class I conforming to IEC 60536 Class I conforming to NF C 20-030 |

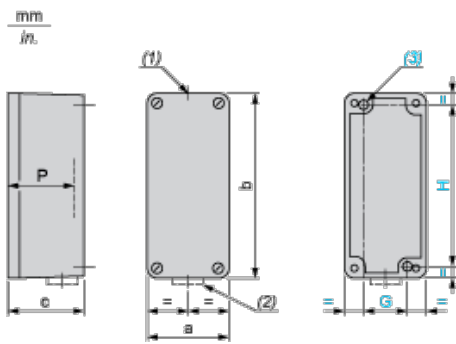
Offer Sustainability

| | |
|--|--|
| WARNING: This product can expose you to chemicals including: | WARNING: This product can expose you to chemicals including: |
| Nickel compounds, which is known to the State of California to cause cancer, and | Nickel compounds, which is known to the State of California to cause cancer, and |
| Di-isodecyl phthalate (DIDP), which is known to the State of California to cause birth defects or other reproductive harm. | Di-isodecyl phthalate (DIDP), which is known to the State of California to cause birth defects or other reproductive harm. |
| For more information go to www.p65warnings.ca.gov | For more information go to www.p65warnings.ca.gov |

Contractual warranty

| | |
|-----------------|-----------|
| Warranty period | 18 months |
|-----------------|-----------|

Dimensions and Fixing



- (1) 1 hole, without blanking plug, for cable gland with 18 mm/0.71 in. maximum clamping capacity
- (2) 1 hole, with blanking plug (protrusion 6 mm/0.24 in.), for cable gland with 18 mm/0.71 in. maximum clamping capacity
- (3) 2 x Ø 5.6 mm/0.22 in. holes, depth 20 mm/0.79 in.

| a | | b | | c | | G | | H | | P | |
|----|------|-----|------|------|------|----|------|-----|------|----|------|
| mm | in. | mm | in. | mm | in. | mm | in. | mm | in. | mm | in. |
| 80 | 3.15 | 175 | 6.89 | 51.5 | 2.03 | 50 | 1.97 | 160 | 6.30 | 49 | 1.93 |