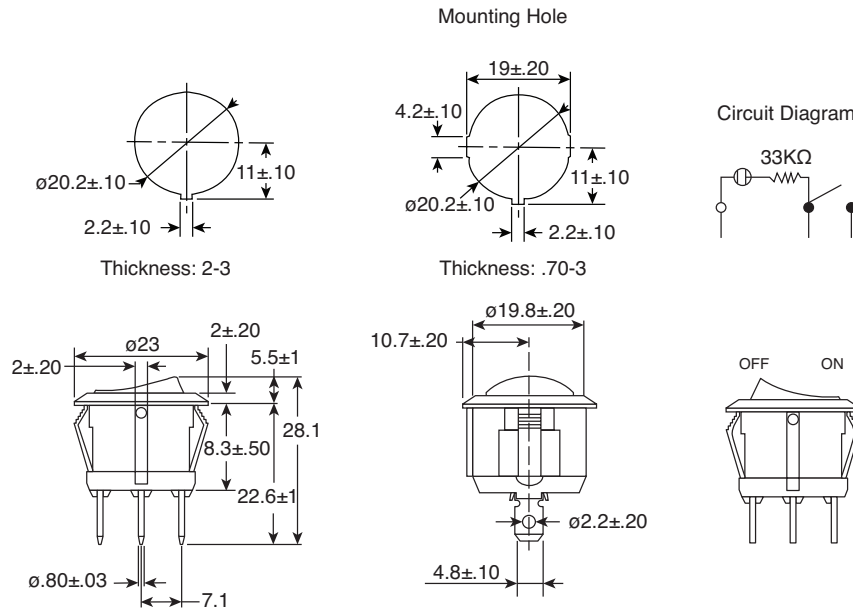


Dimensions: mm



Mouser Stock No.	Color
103-R13-112B-02R-EV	Red
103-R13-112B-02Y-EV	Yellow
103-R13-112B-02G-EV	Green

Electrical Specifications:

- Rating: 16A/125VAC
- Contact resistance: 50mΩ max.
- Insulation resistance: 500VDC 100MΩ min.
- Dielectric strength: 1500VAC for 1 min.

Note:

- RoHS Compliant

Mechanical Specifications:

- Circuit: 3P SPST ON-OFF (Neon Dependent)
- Operating Temp: -20°C - 85°C

Illuminated Rocker Switches
 103-R13-112B-02R-EV, 103-R13-112B-02Y-EV,
 103-R13-112B-02G-EV

