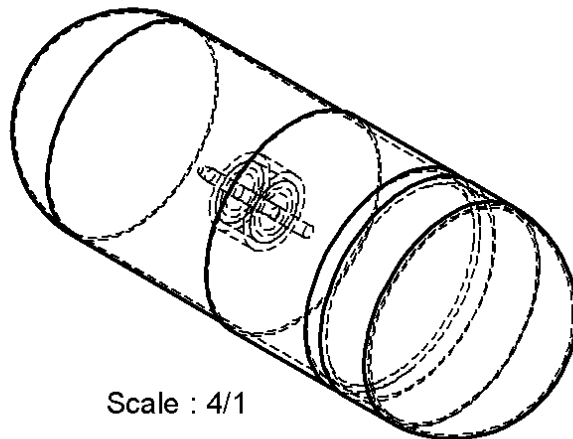
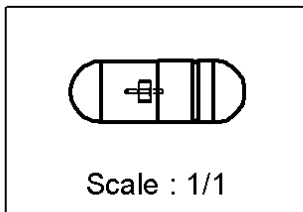
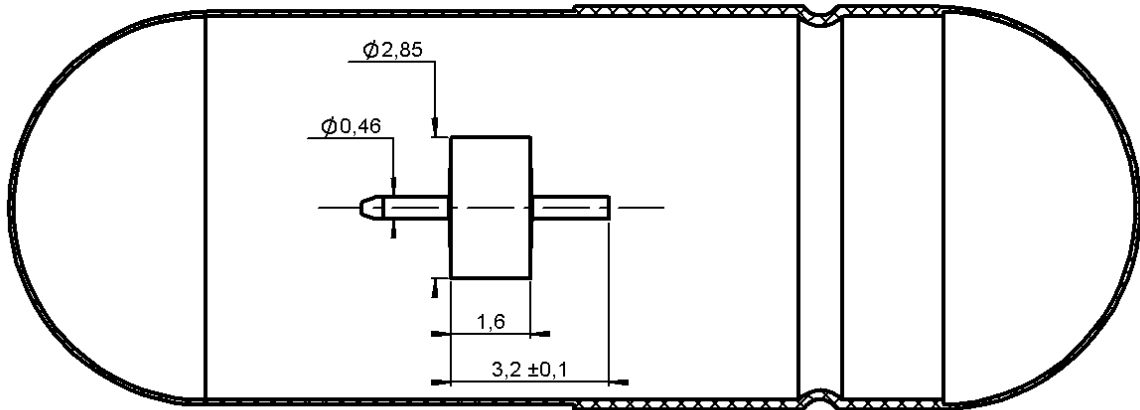


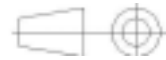
GLASS BEAD

R280.755.040

Series : ACC-COAX



All dimensions are in mm.



COMPONENTS	MATERIALS	PLATINGS (µm)
BODY	DILVER P1	GOLD 1.3 OVER NICKEL 2
CENTER CONTACT	DILVER P1	GOLD 1.3 OVER NICKEL 2
OUTER CONTACT		
INSULATOR	GLASS	
GASKET		
OTHERS PARTS		

Operating temperature : -65/+200 °C

Weight : 0.170 g

Others characteristics :

Hermetic seal : 1 x 10⁻⁸ Atm.cm³/s

Issue : 0409 A

In the effort to improve our products, we reserve the right to make changes judged to be necessary.

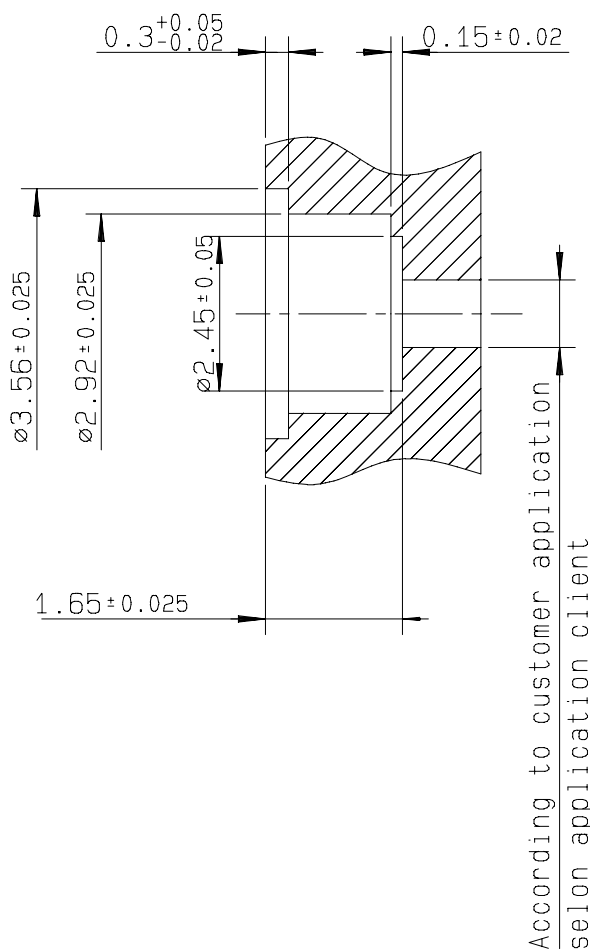


GLASS BEAD

R280.755.040

Series : ACC-COAX

PERCAGE PANNEAU
MOUNTING HOLE



Issue : 0409 A

In the effort to improve our products, we reserve the right to make changes judged to be necessary.

