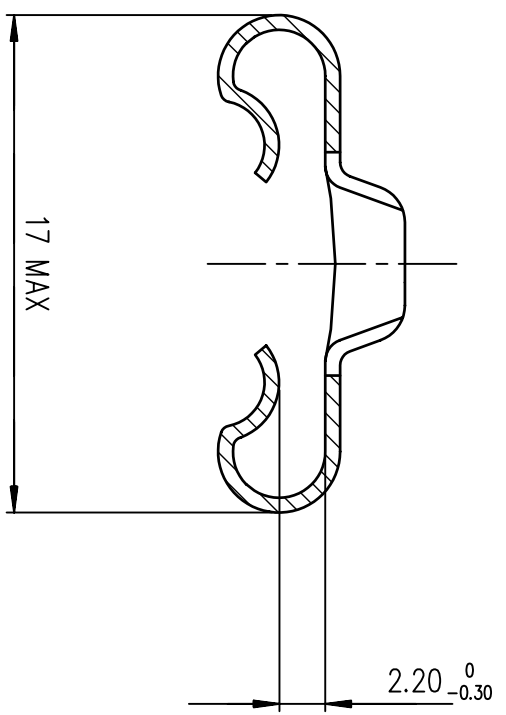
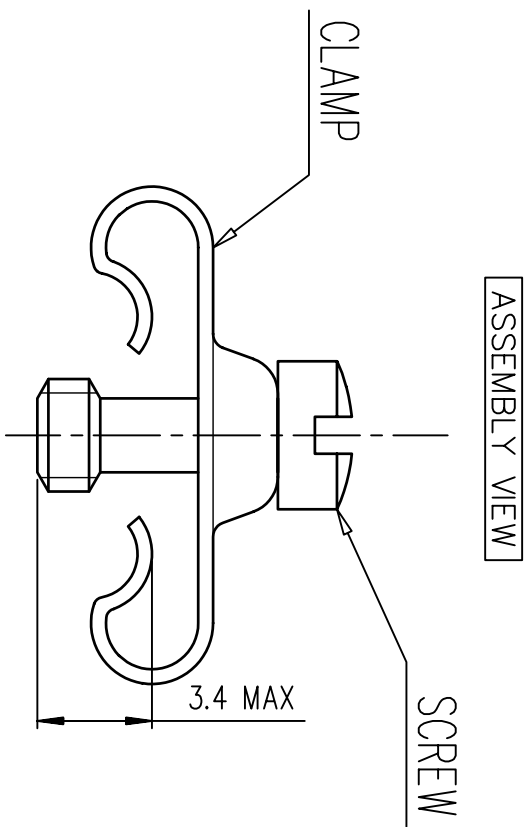
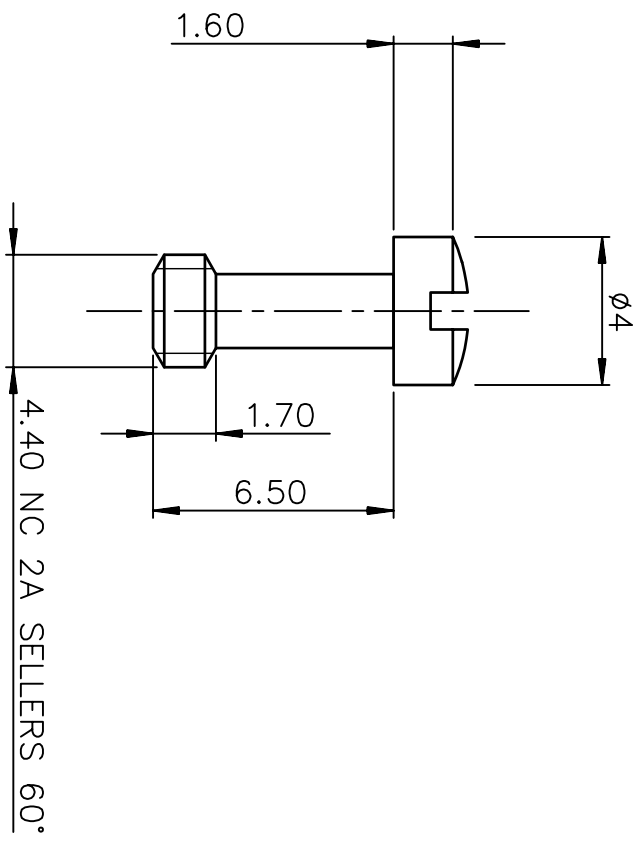


NOTES
 Pieces assembly
 Packaging : per 100 piece
 Material : steel
 Plating : yellow chromate cadmium
 Thread : UNC 4.40



rev	ecn no	dr	date
A	-	SJO	1998/03/27
B	LS06-0101	MPE	2006/06/27
C	LS07-0001	MPE	2007/01/02
D	LS09-0006	PCR	2009/01/08
E	I11-0022	AMR	2011/01/25
F	ELX-H-01663	PK	2012/05/09
G	ELX-H-01663	PK	2012/05/09

Part Number
863002A

www.fciconnect.com		surface	ISO 1302	tolerance std	ISO 406 ISO 1101	projection	mm
Dr	JOUBERT	1998/03/27	ANGULAR	TOLERANCES UNLESS OTHERWISE SPECIFIED		size	A3
Eng	M.PESSON	1998/03/27	LINEAR	0.X	±0.1	Scale	5
Chr	ABHILASH	2011/01/25	0.XX	0.XXX	±0.1	ECN	ELX-H-011686
Appr	SUDHIR	2011/01/25	±2	Product family			
Product family		D-SUB					
Product family		Spec ref -					
MALE SCREW LOCK		Rev.					
SHELL 50 D SUB ACCESSORIES		C01-8655-0709					
catalog no		CUSTOMER sheet 1 of 1					