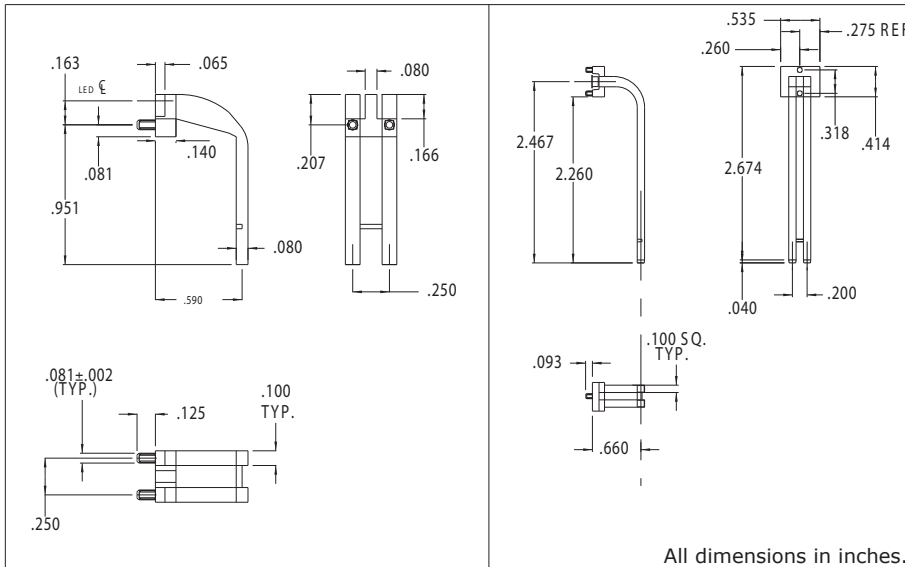


7511F2/7512A5-1 THRU 6 Series Bright Pipes™ Optical Lightpipes Description and Features



7511F2

7512A5-1

- Precision engineered with **ray tracing** for bright, optically precise even indication and attractive appearance.
- ESD protection from circuitry for exceptional reliability.
- High contrast and wide viewing angle for greater visibility.
- Parts inserted after reflow to permit LED pad inspection before assembly.
- Optimized for use with Bright Chips™ SMT LEDs.
- 7511F2 is designed for use with 7016X Series Bright Chip LEDs.
- 7512A5 is designed for use with 67-21 Series Bright Chip LEDs.

Refer to "Mounting Hole Pattern 3.pdf"

PART NUMBER	NO. OF PORTS	NO. OF POSITIONS
7512A5-1-A	1	2
7512A5-4-A	4	8