

**SAFETY ORGANIZATIONS**

THIS FILTER HAS BEEN FORMALLY RECOGNIZED, CERTIFIED OR APPROVED BY THE LISTED AGENCY. ALL TEST/REQUIREMENTS SPECIFIED IN THE LATEST REVISION OF THE FOLLOWING AGENCY STANDARDS HAVE BEEN MET:

- UL RECOGNIZED: UL 498
- CSA CERTIFIED: CSA 22.2, # 42 (THROUGH UL)
- VDE APPROVED: EN 60320-1

**OPERATING SPECIFICATIONS**

LINE CURRENT/VOLTAGE: 10 AMP, 120/250 VAC,  
10 AMP/40°C, 250 VAC

LINE FREQUENCY: 50-60Hz

MAXIMUM LEAKAGE CURRENT,  
EACH LINE TO GROUND: 2 μ A @120V 60Hz  
5 μ A @250V 50Hz

OPERATING AMBIENT TEMP. RANGE: -10°C TO +40°C @ RATED CURRENT, I<sub>r</sub>.

IN AN AMBIENT, T<sub>0</sub>, HIGHER THAN 40°C, THE MAXIMUM OPERATING CURRENT, I<sub>0</sub>, IS AS FOLLOWS:

$$I_0 = I_r \sqrt{\frac{100 - T_0}{60}}$$

**RELIABILITY SPECIFICATIONS:**

STORAGE TEMPERATURE: -40°C TO +85°C  
HUMIDITY: 21 DAYS @ 40°C 95% RH.  
CURRENT OVERLOAD TEST: 6 TIMES I<sub>r</sub> FOR 8 SECONDS

**TEST SPECIFICATIONS:**

INDUCTANCE: 0 mH NOMINAL  
CAPACITANCE: (MEASURED @ 1KHz, 0.250VAC MAX., 25°C±1°C)  
LINE TO GROUND: N/A  
LINE TO LINE: N/A  
DISCHARGE RESISTOR: N/A  
L/G AND L/L I.R. NO DISCHARGE RESISTOR: 6000MΩ (MIN.) @ 100VDC, 20°C AND 50% RH

**RECOMMENDED RECEIVING INSPECTION HIPOT:**

LINE TO GROUND: 1500 VAC FOR 1 MINUTE  
LINE TO LINE: 1450 VDC FOR 1 MINUTE

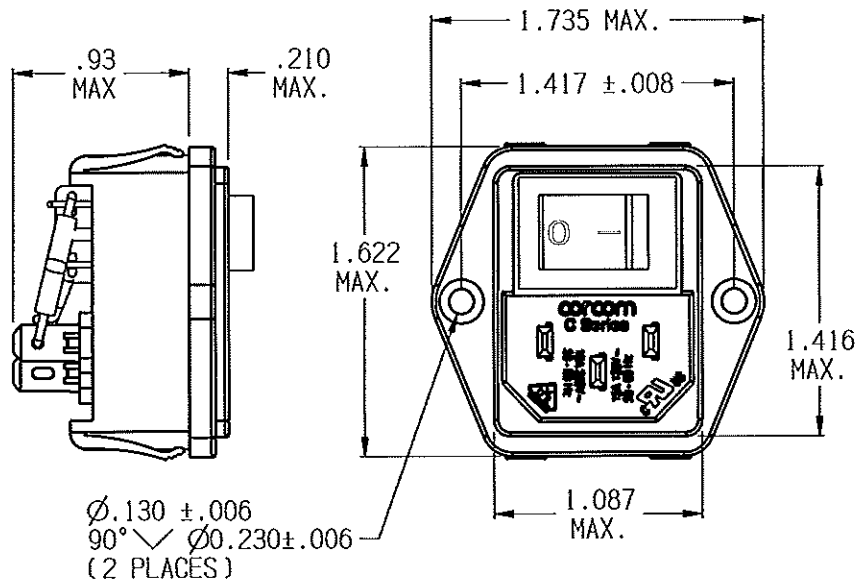
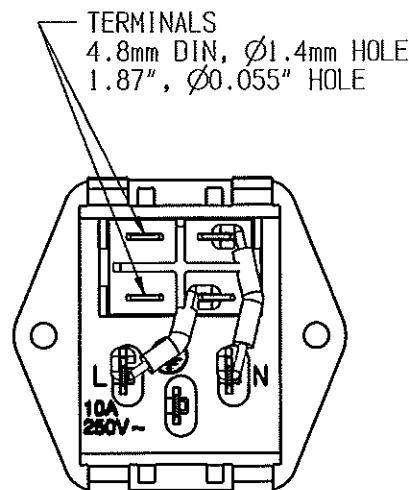
**FILTER APPROVAL:**

THE BEST WAY TO SELECT AND QUALIFY A FILTER IS FOR YOUR ENGINEERING TO TEST THE UNIT IN YOUR EQUIPMENT.

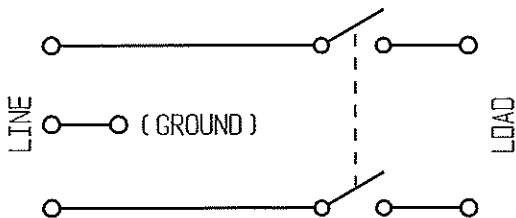
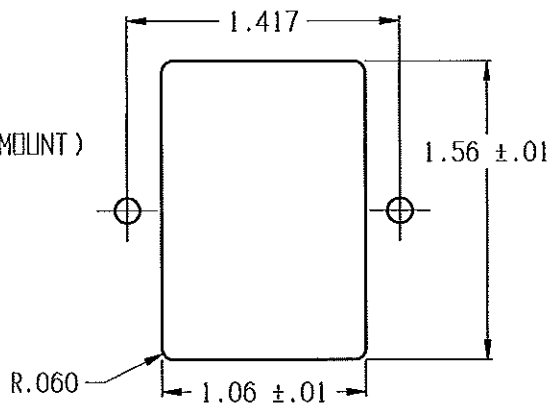
**CUSTOMER DRAWING**

CATALOG # 10CBE1

ECO #	APPRVD.	DATE
07-011633	ELC	23APR09



PANEL CUTOUT (FRONT MOUNT)



**50 Ω - 50 Ω (MINIMUM) INSERTION LOSS**

FREQUENCY MHz	/	/	/	/	/	/	/	/	/	/	/
COMMON dB	/	/	/	/	/	/	/	/	/	/	/
DIFF. dB	/	/	/	/	/	/	/	/	/	/	/

PARTS SHALL COMPLY WITH TYCO ELECTRONICS 230-702 SPECIFICATION FOR HAZARDOUS SUBSTANCES

UNLESS OTHERWISE SPECIFIED  
TOLERANCE TO BE ±0.025  
MATERIAL & FINISH: AS SUPPLIED

NOTES:

**Tyco Electronics**

CORROON PRODUCTS, 620 S. BUTTERFIELD RD., MANDELIN, IL 60060

**POWER ENTRY MODULE**

TYCO ELECTRONICS PART NO. 0-1609112-1

SCALE: 1:1	DATE: 15 JUL 08	DRAWING NUMBER: 10CBE1	REV. A
DRW. BY: LJO	DR/G: ELC		

SHEET SIZE	THIRD ANGLE PROJECTION
A	

THIS INFORMATION IS CONFIDENTIAL AND PROPRIETARY TO TYCO ELECTRONICS CORPORATION AND ITS WORLDWIDE SUBSIDIARIES AND AFFILIATES. IT MAY NOT BE DISCLOSED TO ANYONE OTHER THAN TYCO ELECTRONICS PERSONNEL, WITHOUT WRITTEN AUTHORIZATION FROM TYCO ELECTRONICS CORPORATION, HARRISBURG, PENNSYLVANIA USA.

CVM AVAILABLE	YES	NO
	<input checked="" type="checkbox"/>	<input type="checkbox"/>

G:\Nas\Creator Director\es\10CBE1-A.cxd