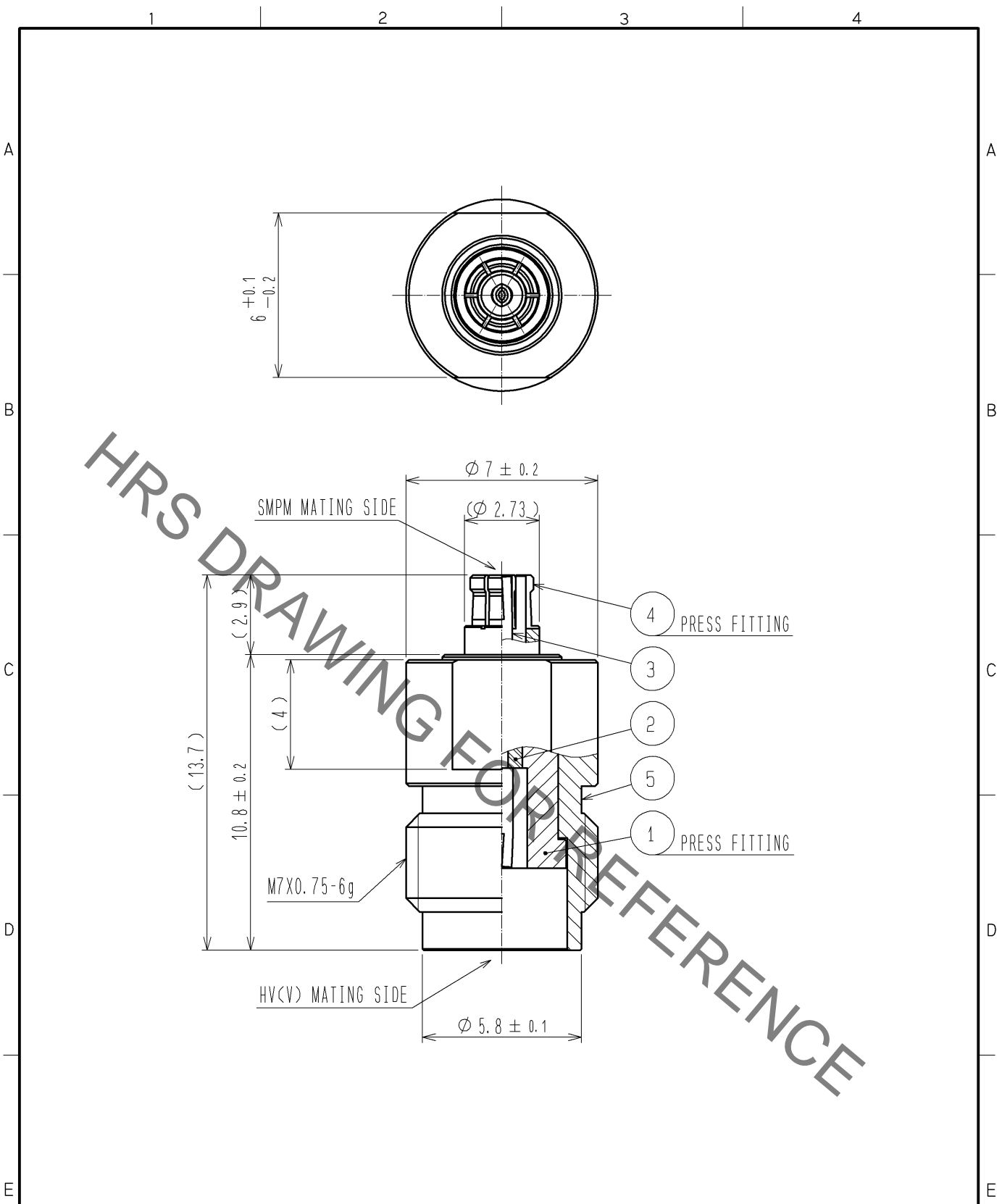


Jul.1.2019 Copyright 2019 HIROSE ELECTRIC CO., LTD. All Rights Reserved.  
 In case of consideration for using Automotive equipment / device which demand high reliability, kindly contact our sales window correspondents.



RoHS COMPLIANT

3	BELYLLIUM COPPER	GOLD PLATING						
2	PTFE		5	STAINLESS STEEL	PASSIVATE			
1	STAINLESS STEEL	GOLD PLATING	4	BERYLLIUM COPPER	GOLD PLATING			
NO.	MATERIAL	FINISH .	REMARKS	NO.	MATERIAL	FINISH .	REMARKS	

UNITS mm			SCALE 5 : 1	COUNT 	DESCRIPTION OF REVISIONS	DESIGNED	CHECKED	DATE
-------------	--	--	----------------	-----------	--------------------------	----------	---------	------

<b>HRS</b>	HIROSE ELECTRIC CO., LTD.	APPROVED : MH. YAMANE	08. 07. 19	DRAWING NO.	EDC4-313093-00
		CHECKED : TS. NOBE	08. 07. 18	PART NO.	SMPMJ-HVJ
		DESIGNED : RO. YOKOYAMA	08. 07. 18	CODE NO.	CL311-0421-7-00
		DRAWN : RO. YOKOYAMA	08. 07. 18		1/1