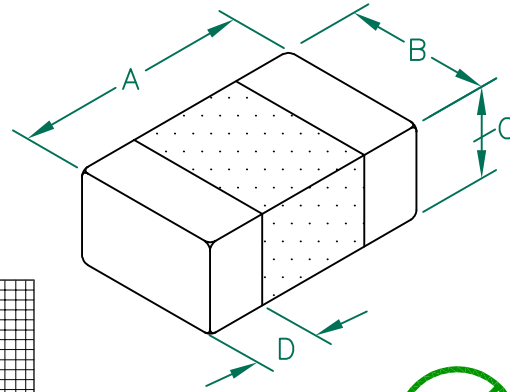


# MI0805K601R-10

**UNCONTROLLED DOCUMENT**

PHYSICAL DIMENSIONS:

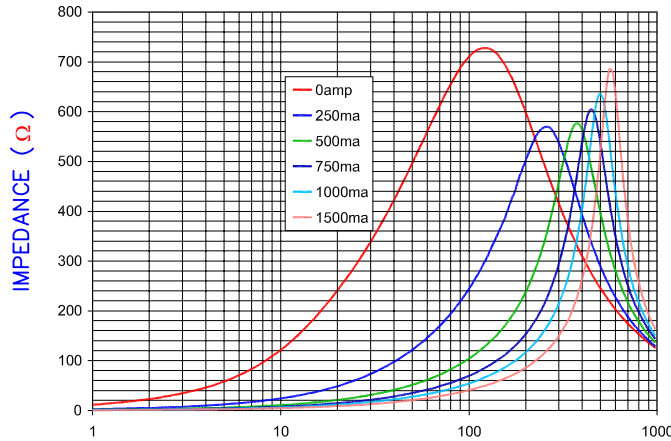
A	2.00 [.079]	+ 0.20 [.008]
B	1.25 [.049]	+ 0.20 [.008]
C	0.90 [.035]	+ 0.20 [.008]
D	0.51 [.020]	+ 0.25 [.010]



ELECTRICAL CHARACTERISTICS:

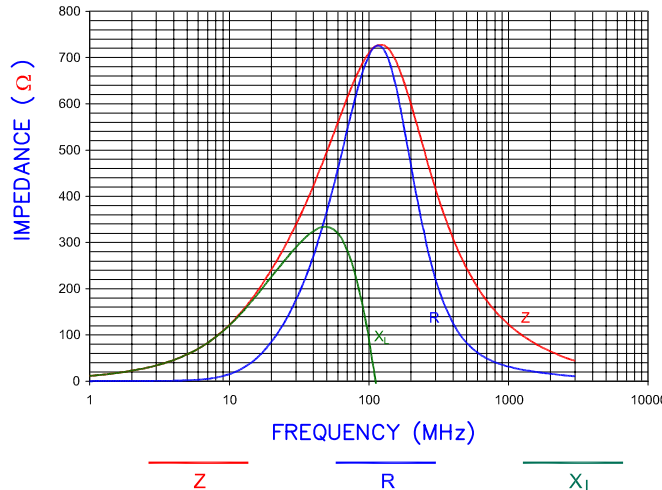
	Z @ 100MHz ( $\Omega$ )	DCR ( $\Omega$ )	Rated Current
Nominal	600		
Minimum	450		
Maximum	750	0.10	1500 mA

Z vs FREQUENCY  
IMPEDANCE UNDER DC BIAS

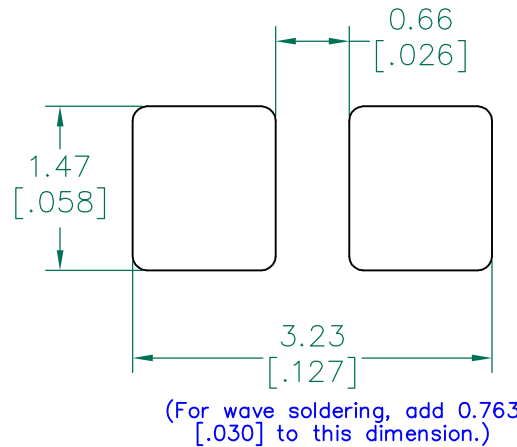


FREQUENCY (MHz)

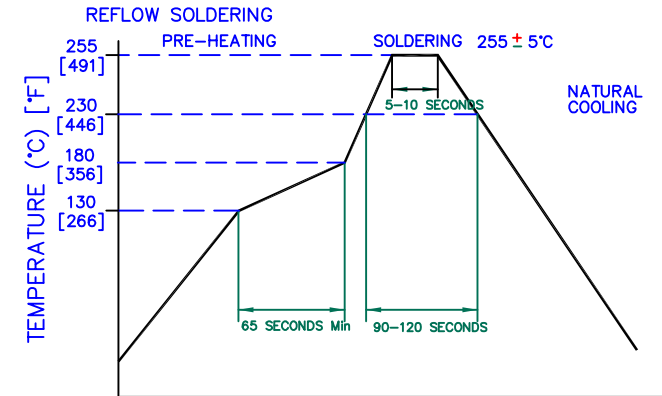
|Z|, R, AND X vs. FREQUENCY



LAND PATTERNS FOR REFLOW SOLDERING



RECOMMENDED SOLDERING CONDITIONS



DIMENSIONS ARE IN mm [INCHES].



This print is the property of Laird Tech. and is loaned in confidence subject to return upon request and with the understanding that no copies shall be made without the written consent of Laird Tech. All rights to design or invention are reserved.



REV	DESCRIPTION	DATE	INT	PROJECT/PART NUMBER:	REV	PART TYPE:	DRAWN BY:
D	ADD OPERATING TEMPERATURE UPDATE LAIRD LOGO AND REFLOW CURVE	08/05/13	QU	MI0805K601R-10	D	CO-FIRE	JRK
C	CHANGE TO PAPER TAPE	03/04/10	JUN				
B	UPDATE COMPANY LOGO ADD ROHS SYMBOL	08/18/08	JRK				
A	ORIGINAL DRAFT	01/13/04	JRK				
REV	DESCRIPTION	DATE	INT				