

4

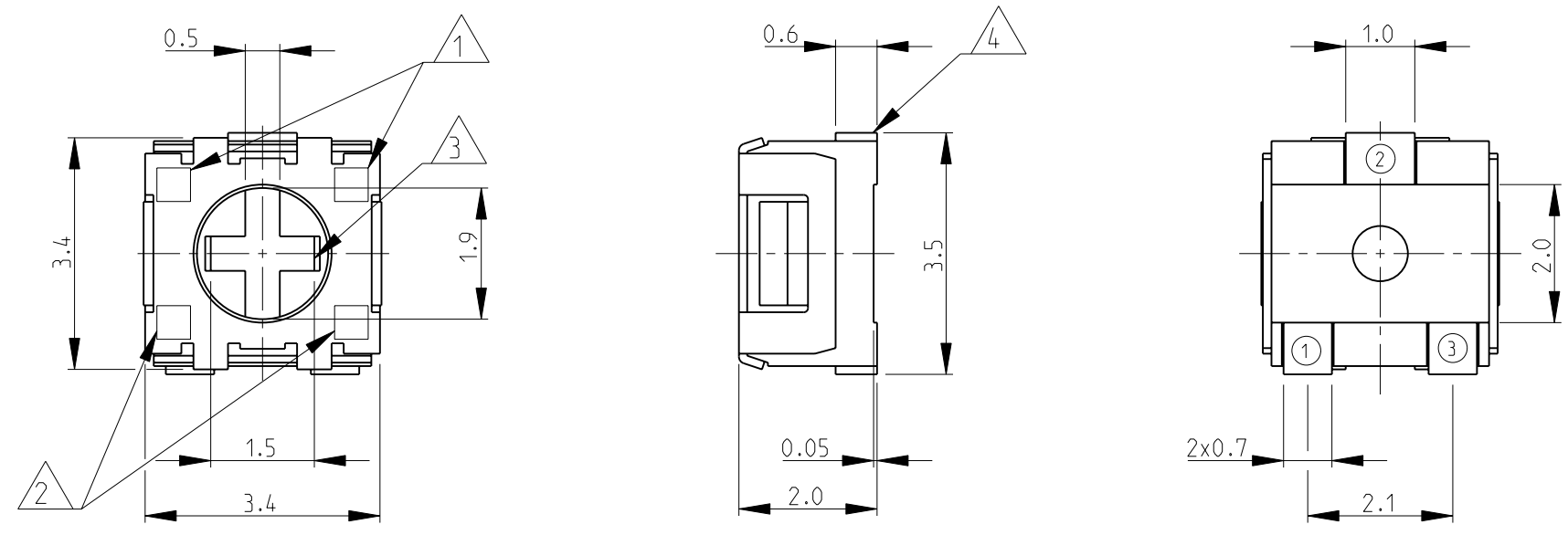
3

2

1

THIS DRAWING IS UNPUBLISHED. RELEASED FOR PUBLICATION 2008
 © COPYRIGHT 2008 BY TYCO ELECTRONICS CORPORATION. ALL RIGHTS RESERVED.

| LOC | DIST | REVISIONS | | | |
|-----|------|-------------|-------------|-----------|---------|
| P | LTR | DESCRIPTION | DATE | DWN | APVD |
| E | B | A | NEW RELEASE | 13-NOV-08 | SM St.P |



- 1 DATE CODE
- 2 RESISTANCE CODE 2 DIGITS
- 3 CROSS SLOT FOR "0" BIT DRIVER, DEPTH: 0.45mm
- 4 t=0.12 SOLDER-PLATED
- 5 FOR FURTHER INFORMATION SEE DATA SHEET FOR 3213 SERIES-SMD TRIMMERS

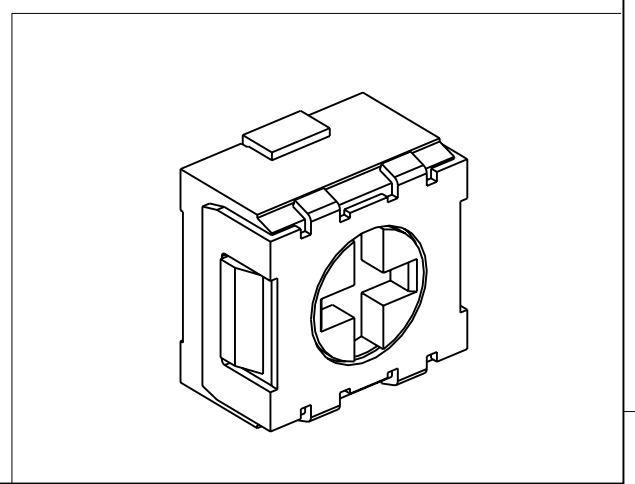
RECOMMENDED LAND PATTERN



CIRCUIT DIAGRAM



RoHS Compliant



| | | | | |
|--|--|--------------------------|--|----------------------|
| THIS DRAWING IS A CONTROLLED DOCUMENT FOR TYCO ELECTRONICS CORPORATION IT IS SUBJECT TO CHANGE AND THE CONTROLLING ENGINEERING ORGANIZATION SHOULD BE CONTACTED FOR THE LATEST REVISION. | | DWN SUBHASH.M 13-NOV-08 | Tyco Electronics Corporation Dorcan, Swindon, SN3 5HH | |
| DIMENSIONS: mm | | CHK PRAKASH.S 13-NOV-08 | NAME SMD TRIMMERS SERIES 3213 | |
| TOLERANCES UNLESS OTHERWISE SPECIFIED: | | APVD STEPHEN.P 13-NOV-08 | PRODUCT SPEC - | |
| 0 PLC ±0.2 | | APPLICATION SPEC - | | |
| 1 PLC ±0.1 | | WEIGHT - | | |
| 2 PLC ±- | | SIZE A3 | CAGE CODE 00779 | DRAWING NO C=1879029 |
| 3 PLC ±- | | RESTRICTED TO - | | |
| 4 PLC ±- | | CUSTOMER DRAWING | | |
| ANGLES ±5° | | SCALE 10:1 | | |
| FINISH - | | SHEET 1 OF 1 | | |
| | | REV A | | |