

THIS DRAWING IS UNPUBLISHED.

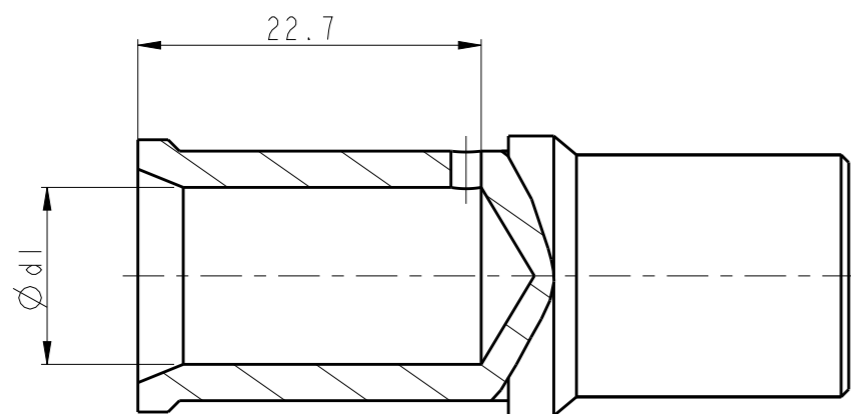
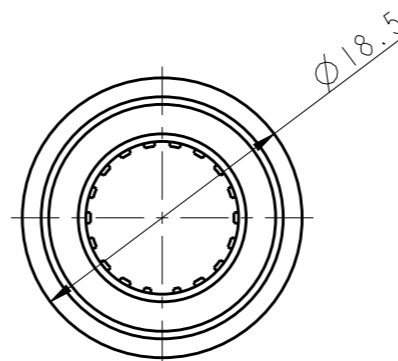
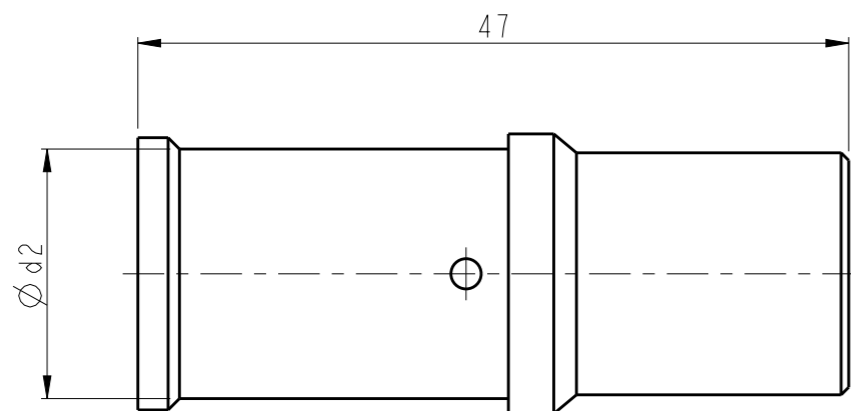
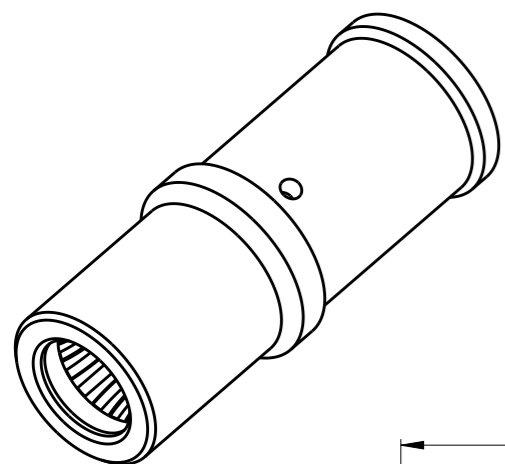
RELEASED FOR PUBLICATION

20

© COPYRIGHT 20 BY - ALL RIGHTS RESERVED.

REVISIONS

P	LTR	DESCRIPTION	DATE	DWN	APVD
	A	INITIAL	03MAR2016	BS	CW



NOTES:

- 1. TECHNICAL CHARACTERISTICS:  
 CONTACT MATERIAL: COPPER  
 SURFACE PLATING: SILVER PLATING  
 WIRE RANGE: 35-70 mm<sup>2</sup> (2-2/0 AWG)

注释:

- 1. 技术参数:  
 针件材料: 铜合金  
 表面电镀: 镀银  
 接线范围: 35-70 mm<sup>2</sup> (2-2/0 AWG)

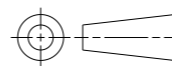
SOCKET CONTACT 母针	PART NUMBER AFTER PLATING 电镀后料号		$\phi d1$	$\phi d2$	SURF AREA (mm <sup>2</sup> ) 表面积	WIRE GAUGE		STRIPPING LENGTH 剥线长度 (mm)
	PART NUMBER 料号	DESCRIPTION 型号				mm <sup>2</sup>	AWG	
	T2192502035-000	HCM250-FC-35	8.4	12.5	3285.71	35	2	22
	T2192502050-000	HCM250-FC-50	10.2	14.5	3480.79	50	1/0	22
	T2192502070-000	HCM250-FC-70	11.7	16.5	3653.68	70	2/0	22

THIS DRAWING IS A CONTROLLED DOCUMENT.

DWN 03MAR2016  
 BELL SU  
 CHK 03MAR2016  
 KYLE ZENG  
 APVD 03MAR2016  
 CHRIS WANG



DIMENSIONS:  
mm



TOLERANCES UNLESS OTHERWISE SPECIFIED:  
 0 PLC ±-  
 1 PLC ±-  
 2 PLC ±-  
 3 PLC ±-  
 4 PLC ±-  
 ANGLES ±-

PRODUCT SPEC  
108-137171  
 APPLICATION SPEC  
114-137171

NAME  
HCM250  
SOCKET CONTACT

MATERIAL  
-

FINISH  
-

WEIGHT  
-

SIZE A3 CAGE CODE - DRAWING NO. ©-T21925020XX000 RESTRICTED TO -

CUSTOMER DRAWING SCALE 2:1 SHEET 1 OF 1 REV A