

THIS DRAWING IS UNPUBLISHED.

RELEASED FOR PUBLICATION

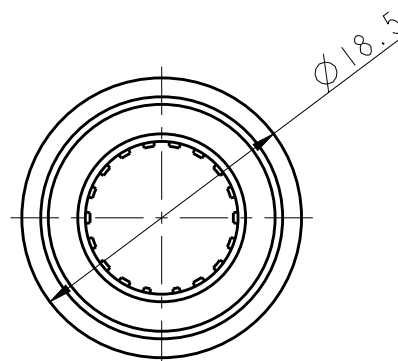
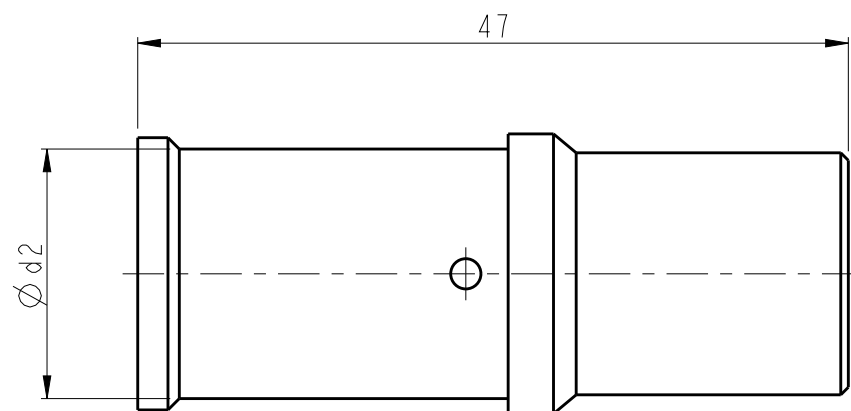
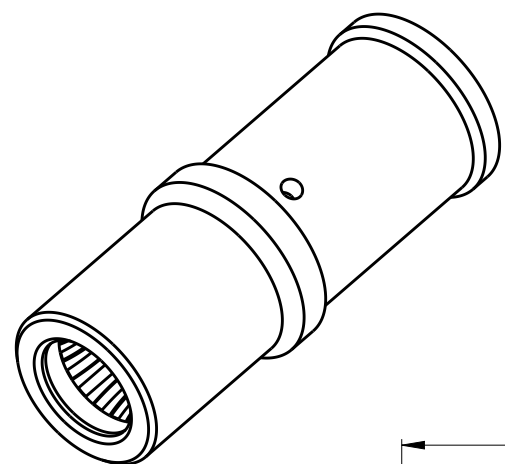
20

© COPYRIGHT 20 BY -

ALL RIGHTS RESERVED.

REVISIONS

P	LTR	DESCRIPTION	DATE	DWN	APVD
	A	INITIAL	03MAR2016	BS	CW

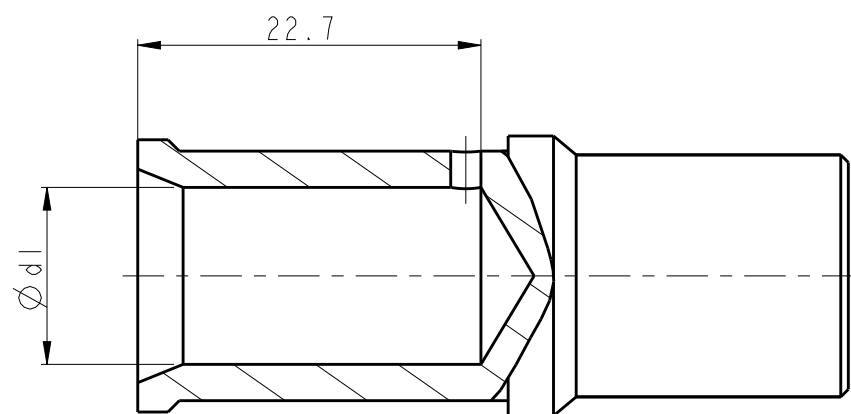


NOTES:

- 1. TECHNICAL CHARACTERISTICS:
 CONTACT MATERIAL: COPPER
 SURFACE PLATING: SILVER PLATING
 WIRE RANGE: 35-70 mm² (2-2/0 AWG)

注释:

- 1. 技术参数:
 针件材料: 铜合金
 表面电镀: 镀银
 接线范围: 35-70 mm² (2-2/0 AWG)



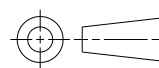
SOCKET CONTACT 母针	PART NUMBER AFTER PLATING 电镀后料号		$\phi d1$	$\phi d2$	SURF AREA (mm ²) 表面积	WIRE GAUGE		STRIPPING LENGTH 剥线长度 (mm)
	PART NUMBER 料号	DESCRIPTION 型号				mm ²	AWG	
	T2192502035-000	HCM250-FC-35	8.4	12.5	3285.71	35	2	22
	T2192502050-000	HCM250-FC-50	10.2	14.5	3480.79	50	1/0	22
	T2192502070-000	HCM250-FC-70	11.7	16.5	3653.68	70	2/0	22

THIS DRAWING IS A CONTROLLED DOCUMENT.

DWN 03MAR2016
 BELL SU
 CHK 03MAR2016
 KYLE ZENG
 APVD 03MAR2016
 CHRIS WANG



DIMENSIONS:
mm



TOLERANCES UNLESS OTHERWISE SPECIFIED:
 0 PLC ±-
 1 PLC ±-
 2 PLC ±-
 3 PLC ±-
 4 PLC ±-
 ANGLES ±-

PRODUCT SPEC 108-137171
 APPLICATION SPEC 114-137171

NAME
 HCM250
 SOCKET CONTACT

MATERIAL -
 FINISH -

WEIGHT -
 CUSTOMER DRAWING

SIZE A3 CAGE CODE - DRAWING NO. ©-T21925020XX000 RESTRICTED TO -

SCALE 2:1 SHEET 1 OF 1 REV A